

MANIGLIE PER PORTE ESTERNE
EXTERNAL DOORS HANDLES

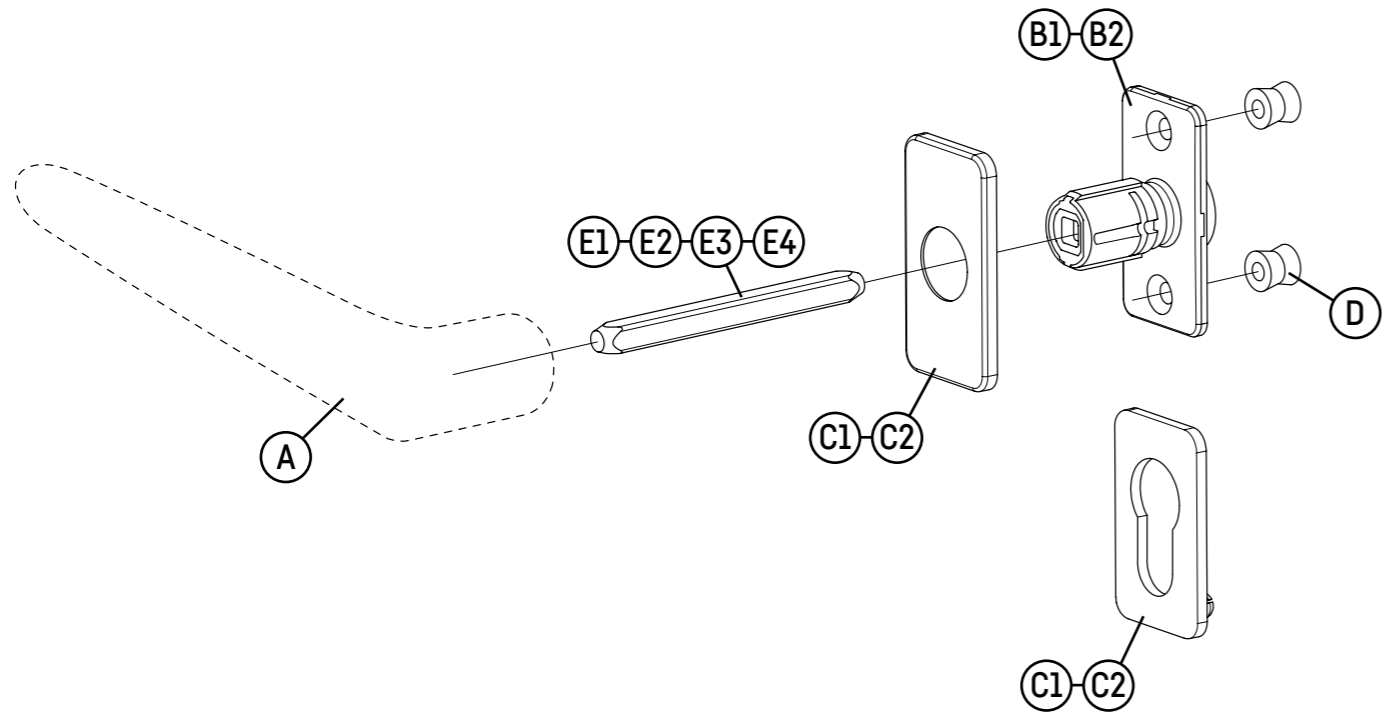
SISTEMA CLIQCLAQ® PER PORTA

CLIQCLAQ® DOOR SYSTEM



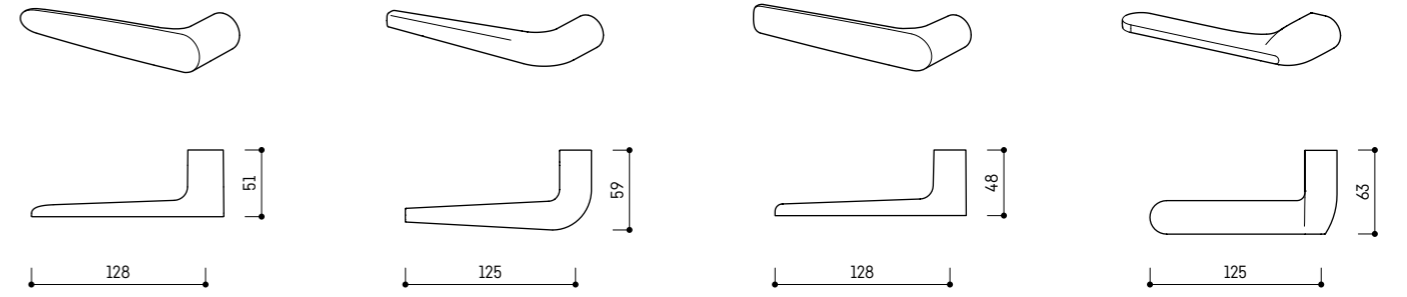
MANIGLIA PER PORTE ESTERNE - SUPPORTI 33x62x4mm - 24x46x4mm, EXTERNAL DOORS HANDLE - SUPPORTS 33x62x4mm - 24x46x4mm

CARATTERISTICHE_FEATURES				FISSAGGIO_FIXING				FINITURE_FINISHES				OPZIONI_OPTIONS					
				CLASS 5				CLASS 5				REI-60 EN-179 IP-65					

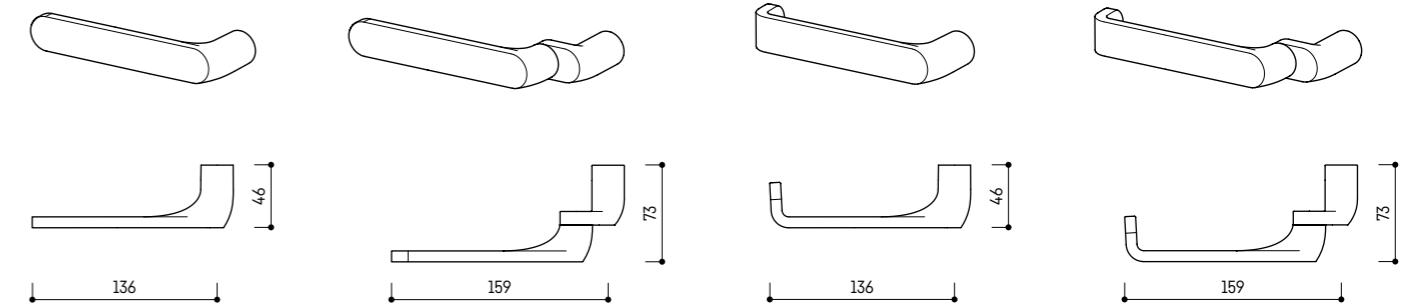


MANIGLIE

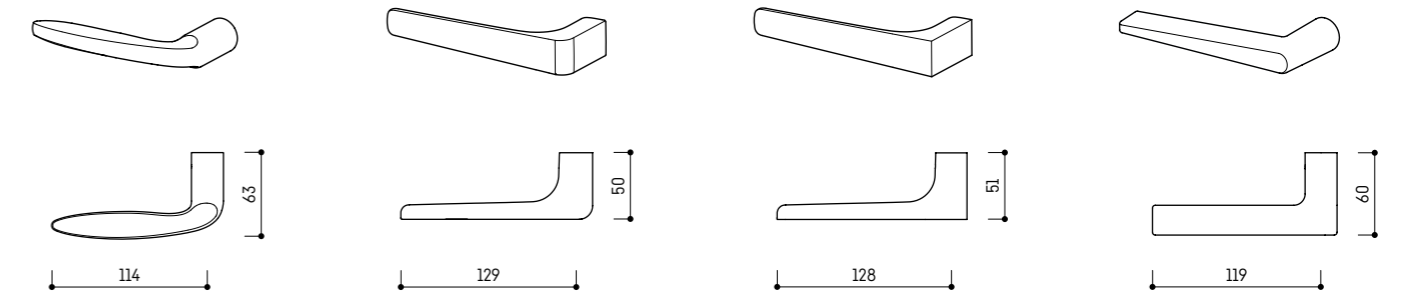
HANDLES



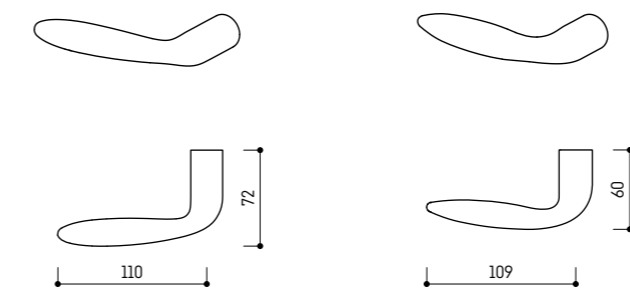
O GIOIA GAIA CLOE



ARCO ARCO_OFFSET ARCO SAFETY ARCO SAFETY_OFFSET




KOBE SOFIA GAIUS WING




BOTTICELLI DODO


VERSIONI DISPONIBILI_AVAILABLE VERSIONS					CAPITOLATO_SPECIFICATION
					<p>Per una descrizione dettagliata di tutte le specifiche tecniche presenti nel prodotto, da impiegare nei capitolati o nelle offerte pubbliche, fate riferimento alla sezione CAPITOLATI. For a detailed description of all the technical informations contained in the product, to be used in the specifications or in public tenders, please refer to the SPECIFICATIONS section.</p> <p>NORMA EN 1906_EN 1906 NORM 4 7 - 0 0 5 0 B</p>
		2 mm	4 mm	6 mm	

Opzioni_Options -
 ZAMAK
 Supporto_Support Maniglia singola_Single handle


A	Opzioni_Options											Supporto_Support										
	62	50	03	04	5B	08	06	52	07	51	PLATINUM	BLACK PEARL	PLATINUM	BLACK PEARL	COPPER PEARL	NOIR PEARL	ANTIQUE GOLD	COPPER SHINING	CRYSTAL SHINING	NATURAL GOLD		
0	-	ⓑ	-	-	-	-	-	24	2	13550001	●	●	-	-	-	●	-	●	●	●		
GIOA	-	ⓑ	-	-	-	-	-	24	2	07550001	●	●	-	-	-	●	-	●	●	●		
GAIA	-	ⓑ	-	-	-	-	-	24	2	07950001	●	●	-	-	-	●	-	●	●	●		
CLOE	-	ⓑ	-	-	-	-	-	24	2	11750001	●	●	-	-	-	●	-	●	●	●		
ARCO	-	ⓑ	-	-	-	-	-	24	2	20050001	●	●	-	-	-	●	-	●	●	●		
ARCO OFFSET	-	ⓑ	-	-	-	-	-	24	2	20150001	●	●	-	-	-	●	-	●	●	●		
ARCO SAFETY	-	ⓑ	-	-	-	-	-	24	2	17850001	●	●	-	-	-	●	-	●	●	●		
ARCO SAFETY OFFSET	-	ⓑ	-	-	-	-	-	24	2	18850001	●	●	-	-	-	●	-	●	●	●		
KOBE	-	ⓑ	-	-	-	-	-	24	2	07450001	●	●	-	-	-	●	-	●	●	●		
SOFIA	-	ⓑ	-	-	-	-	-	24	2	14850001	●	●	-	-	-	●	-	●	●	●		
GAIUS	-	ⓑ	-	-	-	-	-	24	2	07850001	●	●	-	-	-	●	-	●	●	●		
WING	-	ⓑ	-	-	-	-	-	24	2	16550001	●	●	-	-	-	●	-	●	●	●		
BOTTICELLI	-	ⓑ	-	-	-	-	-	24	2	14950001	●	●	-	-	-	●	-	●	●	●		
DODO	-	ⓑ	-	-	-	-	-	24	2	14550001	●	●	-	-	-	●	-	●	●	●		

Opzioni_Options -
 ZAMAK
 Supporto_Support Mec. 33x62x4mm_mechanism 33x62x4mm


B1	Opzioni_Options											Supporto_Support										
	62	50	03	04	5B	08	06	52	07	51	PLATINUM	BLACK PEARL	PLATINUM	BLACK PEARL	COPPER PEARL	NOIR PEARL	ANTIQUE GOLD	COPPER SHINING	CRYSTAL SHINING	NATURAL GOLD		
	7"	ⓑ	100	ⓐ	-	3,9x25	43	-	24	2	06556011											
	8"	ⓑ	100	ⓐ	-	3,9x25	43	-	24	2	06556016											

Opzioni_Options -
 AISI304
 Supporto_Support Cover per mec. 33x62x4mm_Cover for mechanism 33x62x4mm

C1	Opzioni_Options											Supporto_Support										
	62	50	03	04	5B	08	06	52	07	51	PLATINUM	BLACK PEARL	PLATINUM	BLACK PEARL	COPPER PEARL	NOIR PEARL	ANTIQUE GOLD	COPPER SHINING	CRYSTAL SHINING	NATURAL GOLD		
	-	ⓑ	-	-	-	-	-	24	2	06556001	●	●	-	-	-	●	-	●	●	●		
2 mm	-	ⓑ	ⓐ	-	-	45	6	24	2	06525037	●	●	-	-	-	●	-	●	●	●		
4 mm	-	ⓑ	ⓐ	-	-	45	6	24	2	06525038	●	●	-	-	-	●	-	●	●	●		
6 mm	-	ⓑ	ⓐ	-	-	45	6	24	2	06525039	●	●	-	-	-	●	-	●	●	●		

Opzioni_Options -
 ZAMAK
 Supporto_Support Mec.24x46x4mm_mechanism 24x46x4mm

B2	Opzioni_Options											Supporto_Support										
	62	50	03	04	5B	08	06	52	07	51	PLATINUM	BLACK PEARL	PLATINUM	BLACK PEARL	COPPER PEARL	NOIR PEARL	ANTIQUE GOLD	COPPER SHINING	CRYSTAL SHINING	NATURAL GOLD		
	7"	ⓑ	100	ⓐ	-	3,9x25	35	-	24	2	06556020											
	8"	ⓑ	100	ⓐ	-	3,9x25	35	-	24	2	06556021											

Opzioni_Options -
 AISI304
 Supporto_Support Cover per mec. 33x62x4mm_Cover for mechanism 33x62x4mm

C2	Opzioni_Options											Supporto_Support										
	62	50	03	04	5B	08	06	52	07	51	PLATINUM	BLACK PEARL	PLATINUM	BLACK PEARL	COPPER PEARL	NOIR PEARL	ANTIQUE GOLD	COPPER SHINING	CRYSTAL SHINING	NATURAL GOLD		
	-	ⓑ	-	-	-	-	-	24	2	06556022	●	●	-	-	-	●	-	●	●	●		
2 mm	-	ⓑ	ⓐ	-	-	38,5x22	6	24	2	06525141	●	●	-	-	-	●	-	●	●	●		
4 mm	-	ⓑ	ⓐ	-	-	38,5x22	6	24	2	06525142	●	●	-	-	-	●	-	●	●	●		

Opzioni_Options -

Supporto_Support **RUBBER**
Supporto per ancoraggio

										MECHANISM	
										26	
D	■	+	⚙	⚙	X	X					
	-	ALU	-	-	M5	-	10	50	1	06828099	●
	-	ALU	-	-	M6	-	10	50	1	06828100	●
	-	PVC	-	-	M5	-	10	50	1	06828101	●
	-	PVC	-	-	M6	-	10	50	1	06828102	●

Maniglia ridotta_Reduced handle -

Supporto_Support **ZAMAK**
33x62x4mm

										L	L	L							
										PLATINUM	BLACK PEARL	PLATINUM	BLACK PEARL	COPPER PEARL	NOIR PEARL	ANTIQUÉ GOLD	COPPER SHINING	CRYSTAL SHINING	NATURAL GOLD
										62	50	03	04	5B	08	06	52	07	51
8/87	■	+	⚙	⚙	X	X					●	●	-	-	-	-	●	●	●
	8/87	Ⓢ	Ⓢ	Ⓢ	-	3,9x25	43	-	24	1	19487001	●	●	-	-	-	●	●	●
	8/96	Ⓢ	Ⓢ	Ⓢ	-	3,9x25	43	-	24	1	19487002	●	●	-	-	-	●	●	●
	8/106	Ⓢ	Ⓢ	Ⓢ	-	3,9x25	43	-	24	1	19487003	●	●	-	-	-	●	●	●
8/115	Ⓢ	Ⓢ	Ⓢ	-	3,9x25	43	-	24	1	19487004	●	●	-	-	-	●	●	●	

LOFT pomolo fisso_fixed knob design Leo De Carlo

Supporto_Support **ZAMAK**
33x62x4mm

										L	L	L							
										PLATINUM	BLACK PEARL	PLATINUM	BLACK PEARL	COPPER PEARL	NOIR PEARL	ANTIQUÉ GOLD	COPPER SHINING	CRYSTAL SHINING	NATURAL GOLD
										62	50	03	04	5B	08	06	52	07	51
8*	■	+	⚙	⚙	X	X					●	●	-	-	-	-	●	●	●
8*	Ⓢ	Ⓢ	Ⓢ	-	3,9x25	43	-	24	1	17087001	●	●	-	-	-	●	●	●	

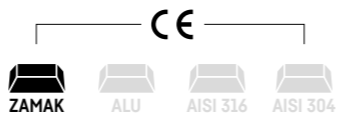
Opzioni_Options -

Supporto_Support **IRON**
Ferro standard_Standard spindle

										MECHANISM			
										26			
E1	■	+	⚙	⚙	X	X							
	7/105	Ⓢ	Ⓢ	Ⓢ	-	0-35	-	-	-	10	10	06727420	●
	7/120	Ⓢ	Ⓢ	Ⓢ	-	10-50	-	-	-	10	10	06727482	●
	7/125	Ⓢ	Ⓢ	Ⓢ	-	15-55	-	-	-	10	10	06727194	●
	7/130	Ⓢ	Ⓢ	Ⓢ	-	20-60	-	-	-	10	10	06727653	●
	7/135	Ⓢ	Ⓢ	Ⓢ	-	25-65	-	-	-	10	10	06727195	●
	7/140	Ⓢ	Ⓢ	Ⓢ	-	30-70	-	-	-	10	10	06727634	●
	7/145	Ⓢ	Ⓢ	Ⓢ	-	35-75	-	-	-	10	10	06727196	●
	7/150	Ⓢ	Ⓢ	Ⓢ	-	40-80	-	-	-	10	10	06727485	●
	7/155	Ⓢ	Ⓢ	Ⓢ	-	45-85	-	-	-	10	10	06727197	●
	7/160	Ⓢ	Ⓢ	Ⓢ	-	50-90	-	-	-	10	10	06727635	●
	7/165	Ⓢ	Ⓢ	Ⓢ	-	55-95	-	-	-	10	10	06727198	●
	7/170	Ⓢ	Ⓢ	Ⓢ	-	60-100	-	-	-	10	10	06727636	●
	7/175	Ⓢ	Ⓢ	Ⓢ	-	65-105	-	-	-	10	10	06727199	●
	7/180	Ⓢ	Ⓢ	Ⓢ	-	70-110	-	-	-	10	10	06727467	●
	7/185	Ⓢ	Ⓢ	Ⓢ	-	75-115	-	-	-	10	10	06727200	●
	7/195	Ⓢ	Ⓢ	Ⓢ	-	85-125	-	-	-	10	10	06727201	●
	7/210	Ⓢ	Ⓢ	Ⓢ	-	100-140	-	-	-	10	10	06727637	●
	7/215	Ⓢ	Ⓢ	Ⓢ	-	105-145	-	-	-	10	10	06727203	●
	8/105	Ⓢ	Ⓢ	Ⓢ	-	0-35	-	-	-	10	10	06727638	●
8/120	Ⓢ	Ⓢ	Ⓢ	-	10-50	-	-	-	10	10	06727639	●	
8/125	Ⓢ	Ⓢ	Ⓢ	-	15-55	-	-	-	10	10	06727640	●	
8/130	Ⓢ	Ⓢ	Ⓢ	-	20-60	-	-	-	10	10	06727421	●	
8/135	Ⓢ	Ⓢ	Ⓢ	-	25-65	-	-	-	10	10	06727641	●	
8/140	Ⓢ	Ⓢ	Ⓢ	-	30-70	-	-	-	10	10	06727422	●	
8/145	Ⓢ	Ⓢ	Ⓢ	-	35-75	-	-	-	10	10	06727642	●	
8/150	Ⓢ	Ⓢ	Ⓢ	-	40-80	-	-	-	10	10	06727643	●	
8/155	Ⓢ	Ⓢ	Ⓢ	-	45-85	-	-	-	10	10	06727424	●	
8/160	Ⓢ	Ⓢ	Ⓢ	-	50-90	-	-	-	10	10	06727496	●	
8/165	Ⓢ	Ⓢ	Ⓢ	-	55-95	-	-	-	10	10	06727425	●	
8/170	Ⓢ	Ⓢ	Ⓢ	-	60-100	-	-	-	10	10	06727497	●	
8/175	Ⓢ	Ⓢ	Ⓢ	-	65-105	-	-	-	10	10	06727426	●	
8/180	Ⓢ	Ⓢ	Ⓢ	-	70-110	-	-	-	10	10	06727466	●	
8/185	Ⓢ	Ⓢ	Ⓢ	-	75-115	-	-	-	10	10	06727499	●	
8/195	Ⓢ	Ⓢ	Ⓢ	-	85-125	-	-	-	10	10	06727500	●	
8/210	Ⓢ	Ⓢ	Ⓢ	-	100-140	-	-	-	10	10	06727501	●	
8/215	Ⓢ	Ⓢ	Ⓢ	-	105-145	-	-	-	10	10	06727502	●	

0

design Leo De Carlo



0

Supporto_Support

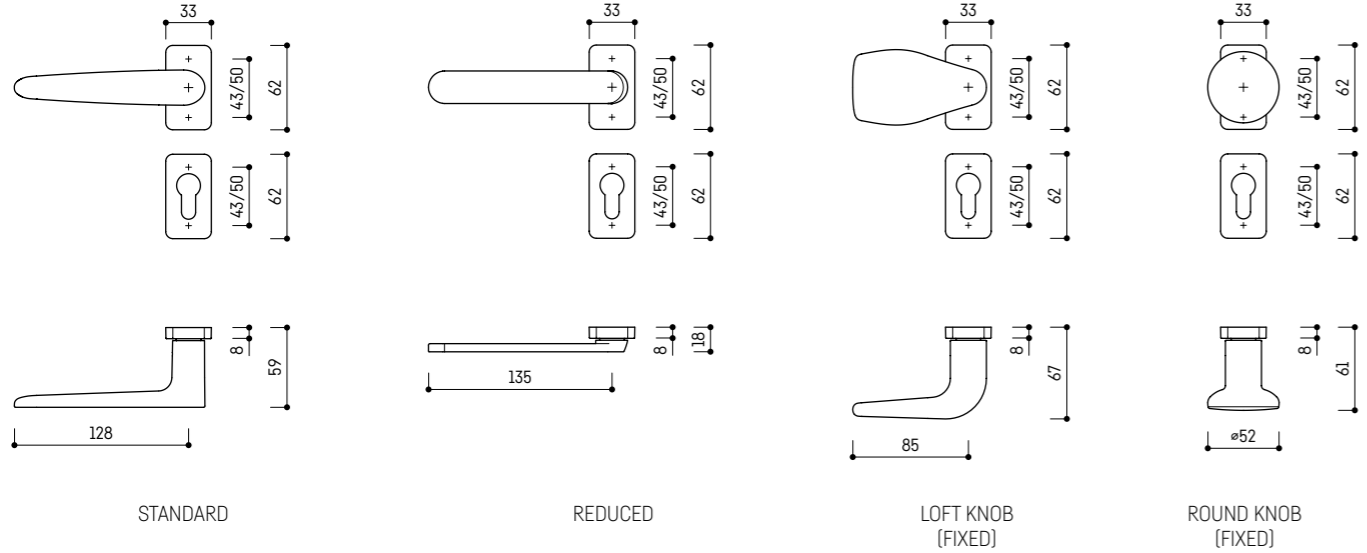
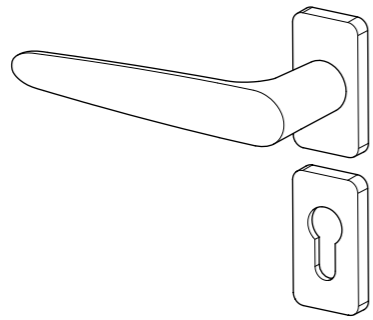
design Leo De Carlo

ZAMAK

33x60x8mm

MANIGLIA PER PORTE ESTERNE - SUPPORTO 33x60x8mm_EXTERNAL HANDLE - SUPPORT 33x60x8mm

CARATTERISTICHE_FEATURES				FISSAGGIO_FIXING				FINITURE_FINISHES				OPZIONI_OPTIONS									
								CLASS 5	CLASS 5	CLASS 5	CLASS 5	CLASS 5	CLASS 5	REI-60	EN-179	IP-65					



VERSIONI DISPONIBILI_AVAILABLE VERSIONS

CAPITOLATO_SPECIFICATION

Per una descrizione dettagliata di tutte le specifiche tecniche presenti nel prodotto, da impiegare nei capitolati o nelle offerte pubbliche, fate riferimento alla sezione CAPITOLATI. For a detailed description of all the technical informations contained in the product, to be used in the specifications or in public tenders, please refer to the SPECIFICATIONS section.

NORMA EN 1906_EN 1906 NORM
4 | 7 | - | 0 | 0 | 5 | 0 | B

											L						L L						
											62	50	03	04	5B	08	06	52	07	01	02		
	8*				-	3,9x25	43/50	-	-	24	1	13570001	-	-	•	•	•	•	-	-	•	•	•
	7*				-	3,9x25	43/50	-	-	24	1	13570002	-	-	•	•	•	•	-	-	•	•	•
	8*				-	3,9x25	43/50	-	-	24	1	13578001	-	-	•	•	•	•	-	-	•	•	•
	7*				-	3,9x25	43/50	-	-	24	1	13578002	-	-	•	•	•	•	-	-	•	•	•
	8/170				60-90	3,9x25	43/50	-	-	24	1	13570003	-	-	•	•	•	•	-	-	•	•	•
	7/170				60-90	3,9x25	43/50	-	-	24	1	13570005	-	-	•	•	•	•	-	-	•	•	•
	8/170				60-90	3,9x25	43/50	-	-	24	1	13578003	-	-	•	•	•	•	-	-	•	•	•
	7/170				60-90	3,9x25	43/50	-	-	24	1	13578005	-	-	•	•	•	•	-	-	•	•	•
	8/170				60-90	3,9x25	43/50	-	-	24	1	13570004	-	-	•	•	•	•	-	-	•	•	•
	7/170				60-90	3,9x25	43/50	-	-	24	1	13570006	-	-	•	•	•	•	-	-	•	•	•
	8/170				60-90	3,9x25	43/50	-	-	24	1	13578004	-	-	•	•	•	•	-	-	•	•	•
	7/170				60-90	3,9x25	43/50	-	-	24	1	13578006	-	-	•	•	•	•	-	-	•	•	•
	-				-	3,9x25	43/50	-	-	24	4	06525139	-	-	•	•	•	•	-	-	•	•	•
	8/110				45-60	3,9x25	43/50	-	-	12	1	19470001	-	-	•	•	•	•	-	-	•	•	•
	8/125				60-75	3,9x25	43/50	-	-	12	1	19470002	-	-	•	•	•	•	-	-	•	•	•
	8/140				75-90	3,9x25	43/50	-	-	12	1	19470003	-	-	•	•	•	•	-	-	•	•	•
	8/110				45-60	3,9x25	43/50	-	-	12	1	19478001	-	-	•	•	•	•	-	-	•	•	•
	8/125				60-75	3,9x25	43/50	-	-	12	1	19478002	-	-	•	•	•	•	-	-	•	•	•
	8/140				75-90	3,9x25	43/50	-	-	12	1	19478003	-	-	•	•	•	•	-	-	•	•	•
	7/110				45-60	3,9x25	43/50	-	-	12	1	19470004	-	-	•	•	•	•	-	-	•	•	•
	7/125				60-75	3,9x25	43/50	-	-	12	1	19470005	-	-	•	•	•	•	-	-	•	•	•
7/140				75-90	3,9x25	43/50	-	-	12	1	19470006	-	-	•	•	•	•	-	-	•	•	•	
7/110				45-60	3,9x25	43/50	-	-	12	1	19478004	-	-	•	•	•	•	-	-	•	•	•	

design Leo De Carlo
ZAMAK
Supporto_Support 33x60x8mm

										L										L L										
										PLATINUM	BLACK PEARL	PLATINUM	BLACK PEARL	COPPER PEARL	NOIR PEARL	ANTIQUE GOLD	COPPER SHINING	CRYSTAL SHINING	GOLD SHINING	WHITE PEARL										
										62	50	03	04	5B	08	06	52	07	01	02										
7/125	CLAS			60-75	3,9x25	43/50	-	-	12	1	19478005	-	-	●	●	●	●	●	●	●										
7/140	CLAS			75-90	3,9x25	43/50	-	-	12	1	19478006	-	-	●	●	●	●	●	●	●										

Opzioni_Options -
IRON
Supporto_Support Ferro standard_Standard spindle

										MECHANISM												
										26												
7/140	CLAS			30-70	-	-	-	-	10	8	06727634	●										
7/150	CLAS			40-80	-	-	-	-	10	8	06727485	●										
7/160	CLAS			50-90	-	-	-	-	10	8	06727635	●										
7/180	CLAS			70-110	-	-	-	-	10	8	06727199	●										
7/185	CLAS			75-115	-	-	-	-	10	8	06727200	●										
7/195	CLAS			85-125	-	-	-	-	10	8	06727201	●										
8/140	CLAS			30-70	-	-	-	-	10	8	06727422	●										
8/150	CLAS			40-80	-	-	-	-	10	8	06727643	●										
8/160	CLAS			50-90	-	-	-	-	10	8	06727996	●										
8/180	CLAS			70-110	-	-	-	-	10	8	06727466	●										
8/185	CLAS			75-115	-	-	-	-	10	8	06727499	●										
8/195	CLAS			85-125	-	-	-	-	10	8	06727500	●										

Opzioni_Options -
IRON
Supporto_Support Ferro uscita emergenza EN-179_Emergency exit EN-179 spindle

										MECHANISM												
										26												
8/140	CLAS			30-70	-	-	-	-	10	8	06727522	●										
8/150	CLAS			40-80	-	-	-	-	10	8	06727524	●										
8/160	CLAS			50-90	-	-	-	-	10	8	06727526	●										
8/180	CLAS			70-110	-	-	-	-	10	8	06727530	●										
8/185	CLAS			75-115	-	-	-	-	10	8	06727531	●										
8/195	CLAS			85-125	-	-	-	-	10	8	06727532	●										

Opzioni_Options -
IRON
Supporto_Support Ferro uscita emergenza EN-179_Emergency exit EN-179 spindle

										MECHANISM												
										26												
8-9-8/140	CLAS			30-70	-	-	-	-	10	8	06727538	●										
8-9-8/150	CLAS			40-80	-	-	-	-	10	8	06727540	●										
8-9-8/160	CLAS			50-90	-	-	-	-	10	8	06727542	●										
8-9-8/180	CLAS			70-110	-	-	-	-	10	8	06727546	●										
8-9-8/185	CLAS			75-115	-	-	-	-	10	8	06727547	●										
8-9-8/195	CLAS			85-125	-	-	-	-	10	8	06727548	●										

Opzioni_Options -
IRON
Supporto_Support 1/2 ferro ancora_1/2 anchor spindle

										MECHANISM												
										26												
8/60	CLAS			-	-	-	-	-	10	8	06727462	●										
8/70	CLAS			-	-	-	-	-	10	8	06727427	●										
8/80	CLAS			-	-	-	-	-	10	8	06727428	●										
8/90	CLAS			-	-	-	-	-	10	8	06727429	●										
8/100	CLAS			-	-	-	-	-	10	8	06727463	●										
7/60	CLAS			-	-	-	-	-	10	8	06727432	●										
7/70	CLAS			-	-	-	-	-	10	8	06727433	●										
7/80	CLAS			-	-	-	-	-	10	8	06727434	●										
7/90	CLAS			-	-	-	-	-	10	8	06727435	●										
7/100	CLAS			-	-	-	-	-	10	8	06727436	●										

LOFT pomolo fisso_fixed knob design Leo De Carlo
ZAMAK
Supporto_Support 33x60x8mm

										L										L L										
										PLATINUM	BLACK PEARL	PLATINUM	BLACK PEARL	COPPER PEARL	NOIR PEARL	ANTIQUE GOLD	COPPER SHINING	CRYSTAL SHINING	GOLD SHINING	WHITE PEARL										
										62	50	03	04	5B	08	06	52	07	01	02										
7* or 8*	CLAS			-	3,9x25	43/50	-	-	12	1	1707001	-	-	●	●	●	●	●	●	●										

ROUND pomolo fisso_fixed knob

design Leo De Carlo

ZAMAK

Supporto_Support

33x60x8mm

Icone	7* or 8*	CLAG	-	3,9x25	43/50	-	-	12	1	19670001	L				L L						
											PLATINUM	BLACK PEARL	PLATINUM	BLACK PEARL	COPPER PEARL	NOIR PEARL	ANTIQUE GOLD	COPPER SHINING	CRYSTAL SHINING	GOLD SHINING	WHITE PEARL
											62	50	03	04	58	08	06	52	07	01	02

Opzioni_Options

IRON

Supporto_Support

1/2 ferro per pomolo fisso_1/2 fixed knob spindle

Icone	7/90	CLAG	-	45-55	-	-	-	-	10	8	06727507	MECHANISM	
												26	
	7/100	CLAG	-	50-65	-	-	-	-	10	8	06727508	•	
	7/110	CLAG	-	60-75	-	-	-	-	10	8	06727509	•	
	7/120	CLAG	-	70-85	-	-	-	-	10	8	06727510	•	
	7/130	CLAG	-	80-95	-	-	-	-	10	8	06727551	•	
	7/140	CLAG	-	90-105	-	-	-	-	10	8	06727552	•	
	8/90	CLAG	-	45-55	-	-	-	-	10	8	06727503	•	
	8/100	CLAG	-	50-65	-	-	-	-	10	8	06727504	•	
	8/110	CLAG	-	60-75	-	-	-	-	10	8	06727505	•	
	8/120	CLAG	-	70-85	-	-	-	-	10	8	06727506	•	
	8/130	CLAG	-	80-95	-	-	-	-	10	8	06727549	•	
	8/140	CLAG	-	90-105	-	-	-	-	10	8	06727550	•	

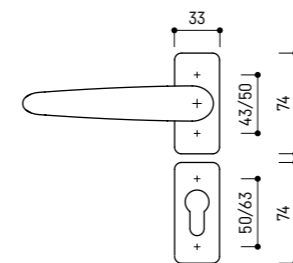
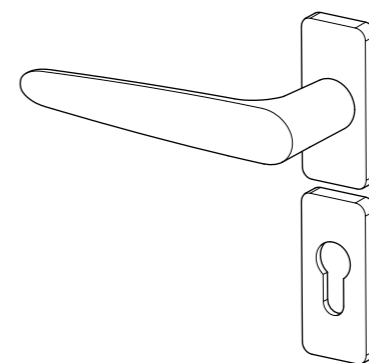
0

design Leo De Carlo

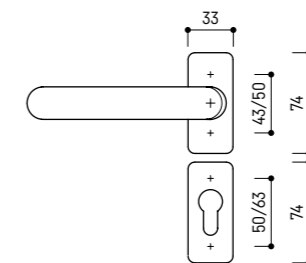


MANIGLIA PER PORTE ESTERNE - SUPPORTO 33x74x8mm_EXTERNAL DOORS HANDLE - SUPPORT 33x74x8mm

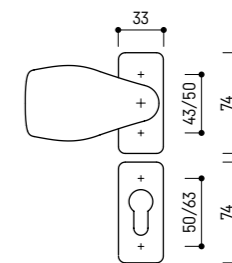
CARATTERISTICHE_FEATURES				FISSAGGIO_FIXING				FINITURE_FINISHES				OPZIONI_OPTIONS				
8	CLAG	R	W	+	+	+	+	304	316	3	5	PVD	+	+	+	+



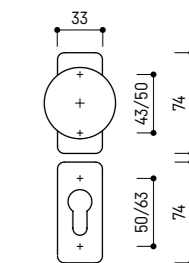
STANDARD



REDUCED



LOFT KNOB (FIXED)



ROUND KNOB (FIXED)

VERSIONI DISPONIBILI_AVAILABLE VERSIONS

CAPITOLATO_SPECIFICATION

					<p>Per una descrizione dettagliata di tutte le specifiche tecniche presenti nel prodotto, da impiegare nei capitolati o nelle offerte pubbliche, fate riferimento alla sezione CAPITOLATI. For a detailed description of all the technical informations contained in the product, to be used in the specifications or in public tenders, please refer to the SPECIFICATIONS section.</p> <p>NORMA EN 1906_EN 1906 NORM</p> <p>4 7 - 0 0 5 0 B</p>



LOFT pomolo fisso_fixed knob

design Leo De Carlo



ZAMAK

Supporto_Support

33x74x8mm

											L				L L						
											PLATINUM	BLACK PEARL	PLATINUM	BLACK PEARL	COPPER PEARL	NOIR PEARL	ANTIQUE GOLD	COPPER SHINING	CRYSTAL SHINING	GOLD SHINING	WHITE PEARL
											62	50	03	04	58	08	06	52	07	01	02
	7" or 8"			-	3,9x25	43/50	-	-	12	1	17004001	-	-	●	●	●	●	-	●	●	●

ROUND pomolo fisso_fixed knob

design Leo De Carlo



ZAMAK

Supporto_Support

33x74x8mm

											L				L L						
											PLATINUM	BLACK PEARL	PLATINUM	BLACK PEARL	COPPER PEARL	NOIR PEARL	ANTIQUE GOLD	COPPER SHINING	CRYSTAL SHINING	GOLD SHINING	WHITE PEARL
											62	50	03	04	58	08	06	52	07	01	02
	7" or 8"			-	3,9x25	43/50	-	-	12	1	19604001	-	-	●	●	●	●	-	●	●	-

Opzioni_Options

IRON

Supporto_Support

1/2 ferro per pomolo fisso_1/2 fixed knob spindle

											L				L L						
											MECHANISM				MECHANISM						
											26	26	26	26	26	26	26	26	26	26	26
	7/90		-	45-55	-	-	-	-	10	8	06727507	●	●	●	●	●	●	●	●	●	●
	7/100		-	50-65	-	-	-	-	10	8	06727508	●	●	●	●	●	●	●	●	●	●
	7/110		-	60-75	-	-	-	-	10	8	06727509	●	●	●	●	●	●	●	●	●	●
	7/120		-	70-85	-	-	-	-	10	8	06727510	●	●	●	●	●	●	●	●	●	●
	7/130		-	80-95	-	-	-	-	10	8	06727551	●	●	●	●	●	●	●	●	●	●
	7/140		-	90-105	-	-	-	-	10	8	06727552	●	●	●	●	●	●	●	●	●	●
	8/90		-	45-55	-	-	-	-	10	8	06727503	●	●	●	●	●	●	●	●	●	●
	8/100		-	50-65	-	-	-	-	10	8	06727504	●	●	●	●	●	●	●	●	●	●
	8/110		-	60-75	-	-	-	-	10	8	06727505	●	●	●	●	●	●	●	●	●	●
	8/120		-	70-85	-	-	-	-	10	8	06727506	●	●	●	●	●	●	●	●	●	●
	8/130		-	80-95	-	-	-	-	10	8	06727549	●	●	●	●	●	●	●	●	●	●
	8/140		-	90-105	-	-	-	-	10	8	06727550	●	●	●	●	●	●	●	●	●	●

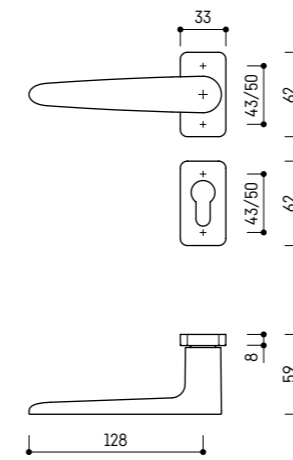
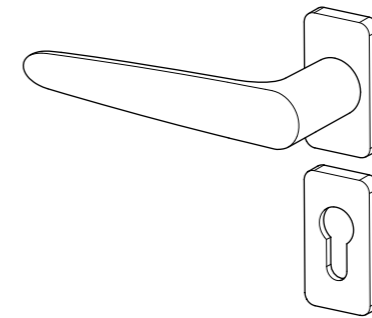
0

design Leo De Carlo

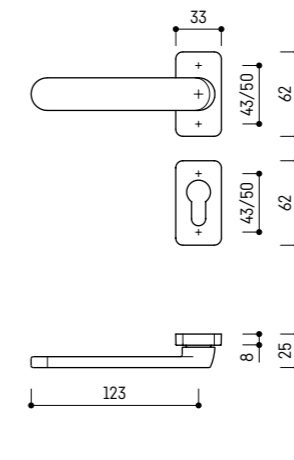


MANIGLIA PER PORTE ESTERNE - SUPPORTO 33x60x8mm_EXTERNAL DOORS HANDLE - SUPPORT 33x60x8mm

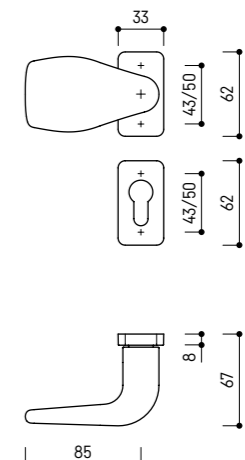
CARATTERISTICHE_FEATURES				FISSAGGIO_FIXING				FINITURE_FINISHES				OPZIONI_OPTIONS							



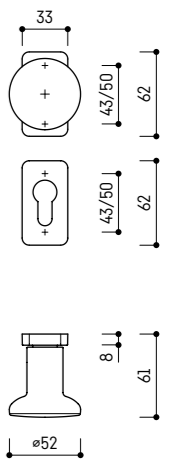
STANDARD



REDUCED



LOFT KNOB (FIXED)



ROUND KNOB (FIXED)

VERSIONI DISPONIBILI_AVAILABLE VERSIONS

CAPITOLATO_SPECIFICATION

Per una descrizione dettagliata di tutte le specifiche tecniche presenti nel prodotto, da impiegare nei capitolati o nelle offerte pubbliche, fate riferimento alla sezione CAPITOLATI. For a detailed description of all the technical informations contained in the product, to be used in the specifications or in public tenders, please refer to the SPECIFICATIONS section.

NORMA EN 1906_EN 1906 NORM

4 | 7 | - | 0 | 0 | 5 | 0 | B

Opzioni_Options -



IRON

Supporto_Support

Ferro uscita emergenza EN-179_Emergency exit EN-179 spindle

EN-179	MECHANISM													
	8-9-8/140	8-9-8/150	8-9-8/160	8-9-8/180	8-9-8/185	8-9-8/195	10	8	06727538	06727540	06727542	06727546	06727547	06727548
	+	+	+	+	+	+								

Opzioni_Options -



IRON

Supporto_Support

1/2 ferro ancora_1/2 anchor spindle

	MECHANISM									
	8/60	8/70	8/80	8/90	8/100	7/60	7/70	7/80	7/90	7/100
	+	+	+	+	+	+	+	+	+	+

LOFT pomolo fisso_fixed knob

design Leo De Carlo



ALU

Supporto_Support

33x60x8mm

7" or 8"	MECHANISM										COLORS																
	F1	F9	ENDX	RAL 9005 GLOSS 6% BLACK	RAL 9006 GLOSS 85% WHITE SIGNAL	RAL 9010 GLOSS 85% PURE WHITE	BI01* WHITE	BI02* NOIR	RAL 7014 GLOSS 85% ANTHRACITE	RAL 7035 GLOSS 85% LIGHT GREY	RAL 8003 GLOSS 85% CLAY BROWN	RAL 1015 GLOSS 85% IVORY	RAL 8707 GLOSS 85% DARK BROWN	97	4B	77	33	22	67	02	04	78	82	80	81	96	
	+	+	+	+	+	+	+	+	+	+	+	+	+	+	+	+	+	+	+	+	+	+	+	+	+	+	+

ROUND pomolo fisso_fixed knob

design Leo De Carlo



ALU

Supporto_Support

33x60x8mm

7" or 8"	MECHANISM										COLORS																
	F1	F9	ENDX	RAL 9005 GLOSS 6% BLACK	RAL 9006 GLOSS 85% WHITE SIGNAL	RAL 9010 GLOSS 85% PURE WHITE	BI01* WHITE	BI02* NOIR	RAL 7014 GLOSS 85% ANTHRACITE	RAL 7035 GLOSS 85% LIGHT GREY	RAL 8003 GLOSS 85% CLAY BROWN	RAL 1015 GLOSS 85% IVORY	RAL 8707 GLOSS 85% DARK BROWN	97	4B	77	33	22	67	02	04	78	82	80	81	96	
	+	+	+	+	+	+	+	+	+	+	+	+	+	+	+	+	+	+	+	+	+	+	+	+	+	+	+

Opzioni_Options -



IRON

Supporto_Support

1/2 ferro per pomolo fisso_1/2 fixed knob spindle

7/90	MECHANISM											
	7/90	7/100	7/110	7/120	7/130	7/140	8/90	8/100	8/110	8/120	8/130	8/140
	+	+	+	+	+	+	+	+	+	+	+	+

Opzioni_Options -



ZAMAK

Supporto_Support

Maniglia singola_Single handle

7	MECHANISM										COLORS																
	F1	F9	ENDX	RAL 9005 GLOSS 6% BLACK	RAL 9006 GLOSS 85% WHITE SIGNAL	RAL 9010 GLOSS 85% PURE WHITE	BI01* WHITE	BI02* NOIR	RAL 7014 GLOSS 85% ANTHRACITE	RAL 7035 GLOSS 85% LIGHT GREY	RAL 8003 GLOSS 85% CLAY BROWN	RAL 1015 GLOSS 85% IVORY	RAL 8707 GLOSS 85% DARK BROWN	97	4B	77	33	22	67	02	04	78	82	80	81	96	
	+	+	+	+	+	+	+	+	+	+	+	+	+	+	+	+	+	+	+	+	+	+	+	+	+	+	+

Opzioni_Options -

IRON

Supporto_Support Ferro uscita emergenza EN-179_Emergency exit EN-179 spindle

EN-179	8/140	CLEAR	-	30-70	-	-	-	-	10	8	06727522	MECHANISM														
												26														
	8/150	CLEAR	-	40-80	-	-	-	-	10	8	06727524															
	8/160	CLEAR	-	50-90	-	-	-	-	10	8	06727526															
	8/180	CLEAR	-	70-110	-	-	-	-	10	8	06727530															
	8/185	CLEAR	-	75-115	-	-	-	-	10	8	06727531															
	8/195	CLEAR	-	85-125	-	-	-	-	10	8	06727532															
	8-9-8/140	CLEAR	-	30-70	-	-	-	-	10	8	06727538															
	8-9-8/150	CLEAR	-	40-80	-	-	-	-	10	8	06727540															
	8-9-8/160	CLEAR	-	50-90	-	-	-	-	10	8	06727542															
	8-9-8/180	CLEAR	-	70-110	-	-	-	-	10	8	06727546															
	8-9-8/185	CLEAR	-	75-115	-	-	-	-	10	8	06727547															
	8-9-8/195	CLEAR	-	85-125	-	-	-	-	10	8	06727548															

Opzioni_Options -

IRON

Supporto_Support 1/2 ferro ancora_1/2 anchor spindle

EN-179	8/60	CLEAR	-	-	-	-	-	-	10	8	06727462	MECHANISM														
												26														
	8/70	CLEAR	-	-	-	-	-	-	10	8	06727427															
	8/80	CLEAR	-	-	-	-	-	-	10	8	06727428															
	8/90	CLEAR	-	-	-	-	-	-	10	8	06727429															
	8/100	CLEAR	-	-	-	-	-	-	10	8	06727463															
	7/60	CLEAR	-	-	-	-	-	-	10	8	06727432															
	7/70	CLEAR	-	-	-	-	-	-	10	8	06727433															
	7/80	CLEAR	-	-	-	-	-	-	10	8	06727434															
	7/90	CLEAR	-	-	-	-	-	-	10	8	06727435															
	7/100	CLEAR	-	-	-	-	-	-	10	8	06727436															

LOFT pomolo fisso_fixed knob design Leo De Carlo

ALU

Supporto_Support 33x74x8mm

7* or 8*	7	CLEAR	-	-	3,9x25	43/50	-	-	12	2	19504001	MECHANISM													
												97	48	77	33	22	67	02	04	78	82	80	81	96	
	8	CLEAR	-	-	-	-	-	-	24	4	16250002														

ROUND pomolo fisso_fixed knob design Leo De Carlo

ALU

Supporto_Support 33x74x8mm

7* or 8*	7	CLEAR	-	-	3,9x25	43/50	-	-	12	2	19704001	MECHANISM													
												97	48	77	33	22	67	02	04	78	82	80	81	96	
	8	CLEAR	-	-	-	-	-	-	12	2	19704001														

Opzioni_Options -

IRON

Supporto_Support 1/2 ferro per pomolo fisso_1/2 fixed knob spindle

7/90	CLEAR	-	45-55	-	-	-	-	-	10	8	06727507	MECHANISM														
												26														
	7/100	CLEAR	-	50-65	-	-	-	-	10	8	06727508															
	7/110	CLEAR	-	60-75	-	-	-	-	10	8	06727509															
	7/120	CLEAR	-	70-85	-	-	-	-	10	8	06727510															
	7/130	CLEAR	-	80-95	-	-	-	-	10	8	06727551															
	7/140	CLEAR	-	90-105	-	-	-	-	10	8	06727552															
	8/90	CLEAR	-	45-55	-	-	-	-	10	8	06727503															
	8/100	CLEAR	-	50-65	-	-	-	-	10	8	06727504															
	8/110	CLEAR	-	60-75	-	-	-	-	10	8	06727505															
	8/120	CLEAR	-	70-85	-	-	-	-	10	8	06727506															
	8/130	CLEAR	-	80-95	-	-	-	-	10	8	06727549															
	8/140	CLEAR	-	90-105	-	-	-	-	10	8	06727550															

Opzioni_Options -

ALU

Supporto_Support Maniglia singola_Single handle

7	CLEAR	-	-	-	-	-	-	-	24	4	16250001	MECHANISM													
												97	48	77	33	22	67	02	04	78	82	80	81	96	
8	CLEAR	-	-	-	-	-	-	-	24	4	16250002														

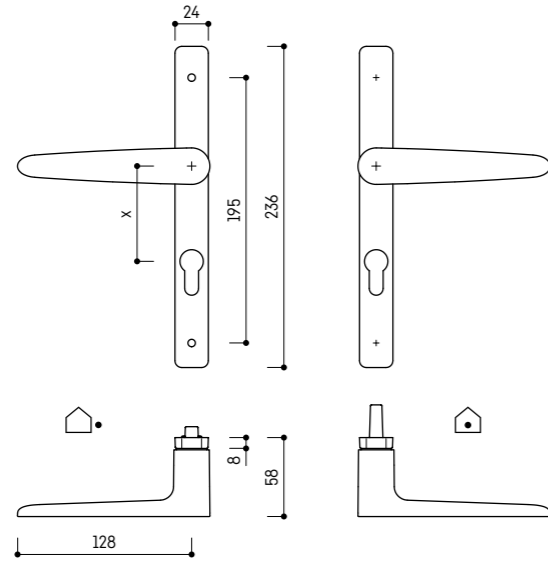
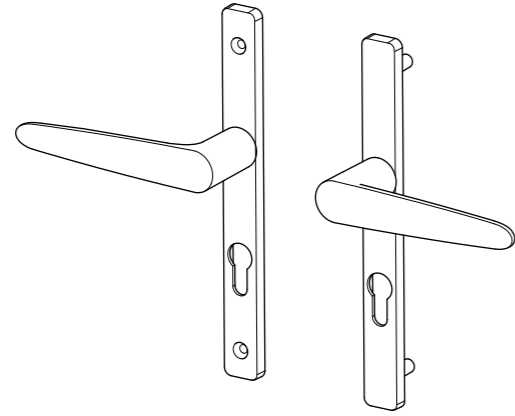
0

design Leo De Carlo



SET PLACCA - SUPPORTO 24x235x8mm_PLATE SET - SUPPORT 24x235x8mm

CARATTERISTICHE_FEATURES				FISSAGGIO_FIXING				FINITURE_FINISHES				OPZIONI_OPTIONS				



0

design Leo De Carlo



ALU

Supporto_Support

24x235x8mm

											L				L L								
											F1	FP	ENOX	RAL 9005 GLOSS 65 BLACK	RAL 9006 GLOSS 85% WHITE SIGNAL	RAL 9010 GLOSS 85% PURE WHITE	BIO* WHITE	BIO* NOIR	RAL 7016 GLOSS 85% ANTHRACITE	RAL 7035 GLOSS 85% LIGHT GREY	RAL 8003 GLOSS 85% CLAY BROWN	RAL 1015 GLOSS 85% IVORY	RAL 8717 GLOSS 85% DARK BROWN
8/130				40-60	M5x35 M5x65	195	ø10	92	24	1	16276001	<input checked="" type="checkbox"/>	<input checked="" type="checkbox"/>	<input checked="" type="checkbox"/>	<input checked="" type="checkbox"/>	<input checked="" type="checkbox"/>	<input checked="" type="checkbox"/>	<input checked="" type="checkbox"/>	<input checked="" type="checkbox"/>	<input checked="" type="checkbox"/>	<input checked="" type="checkbox"/>	<input checked="" type="checkbox"/>	<input checked="" type="checkbox"/>
8/150				60-80	M5x55 M5x85	195	ø10	92	24	1	16276002	<input checked="" type="checkbox"/>	<input checked="" type="checkbox"/>	<input checked="" type="checkbox"/>	<input checked="" type="checkbox"/>	<input checked="" type="checkbox"/>	<input checked="" type="checkbox"/>	<input checked="" type="checkbox"/>	<input checked="" type="checkbox"/>	<input checked="" type="checkbox"/>	<input checked="" type="checkbox"/>	<input checked="" type="checkbox"/>	<input checked="" type="checkbox"/>
8/130				40-60	M5x35 M5x65	195	ø10	85	24	1	16276003	<input checked="" type="checkbox"/>	<input checked="" type="checkbox"/>	<input checked="" type="checkbox"/>	<input checked="" type="checkbox"/>	<input checked="" type="checkbox"/>	<input checked="" type="checkbox"/>	<input checked="" type="checkbox"/>	<input checked="" type="checkbox"/>	<input checked="" type="checkbox"/>	<input checked="" type="checkbox"/>	<input checked="" type="checkbox"/>	<input checked="" type="checkbox"/>
8/150				60-80	M5x55 M5x85	195	ø10	85	24	1	16276004	<input checked="" type="checkbox"/>	<input checked="" type="checkbox"/>	<input checked="" type="checkbox"/>	<input checked="" type="checkbox"/>	<input checked="" type="checkbox"/>	<input checked="" type="checkbox"/>	<input checked="" type="checkbox"/>	<input checked="" type="checkbox"/>	<input checked="" type="checkbox"/>	<input checked="" type="checkbox"/>	<input checked="" type="checkbox"/>	<input checked="" type="checkbox"/>
7/130				40-60	M5x35 M5x65	195	ø10	70	24	1	16276005	<input checked="" type="checkbox"/>	<input checked="" type="checkbox"/>	<input checked="" type="checkbox"/>	<input checked="" type="checkbox"/>	<input checked="" type="checkbox"/>	<input checked="" type="checkbox"/>	<input checked="" type="checkbox"/>	<input checked="" type="checkbox"/>	<input checked="" type="checkbox"/>	<input checked="" type="checkbox"/>	<input checked="" type="checkbox"/>	<input checked="" type="checkbox"/>
7/150				60-80	M5x55 M5x85	195	ø10	70	24	1	16276006	<input checked="" type="checkbox"/>	<input checked="" type="checkbox"/>	<input checked="" type="checkbox"/>	<input checked="" type="checkbox"/>	<input checked="" type="checkbox"/>	<input checked="" type="checkbox"/>	<input checked="" type="checkbox"/>	<input checked="" type="checkbox"/>	<input checked="" type="checkbox"/>	<input checked="" type="checkbox"/>	<input checked="" type="checkbox"/>	<input checked="" type="checkbox"/>

VERSIONI DISPONIBILI_AVAILABLE VERSIONS

CAPITOLATO_SPECIFICATION



Per una descrizione dettagliata di tutte le specifiche tecniche presenti nel prodotto, da impiegare nei capitolati o nelle offerte pubbliche, fate riferimento alla sezione CAPITOLATI for a detailed description of all the technical informations contained in the product, to be used in the specifications or in public tenders, please refer to the SPECIFICATIONS section.

NORMA EN 1906_EN 1906 NORM

4 | 7 | - | 0 | 0 | 5 | 0 | B

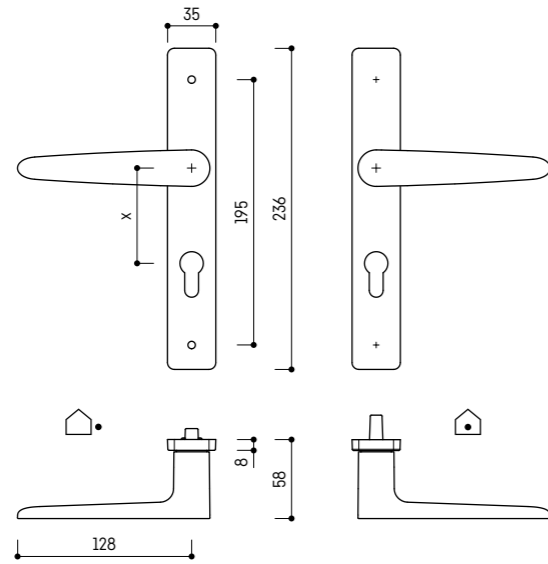
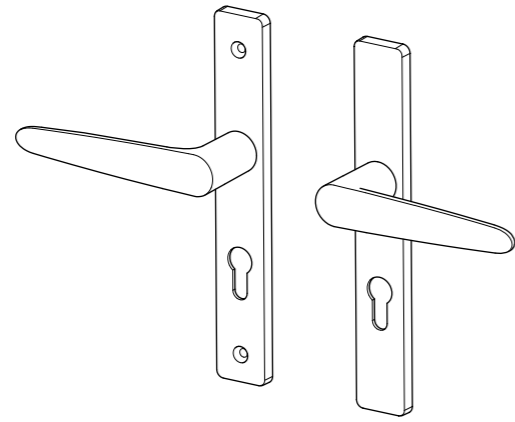
0

design Leo De Carlo



SET PLACCA - SUPPORTO 35x235x8mm_PLATE SET - SUPPORT 35x235x8mm

CARATTERISTICHE_FEATURES					FISSAGGIO_FIXING					FINITURE_FINISHES					OPZIONI_OPTIONS					



0

design Leo De Carlo



ALU

Supporto_Support

35x235x8mm

											L					L												
											F1	FP	EN0	RAL 9005 GLOSS 65 BLACK	RAL 9006 GLOSS 85% WHITE SIGNAL	RAL 9010 GLOSS 85% PURE WHITE	BIO* WHITE	BIO* NOIR	RAL 7016 GLOSS 85% ANTHRACITE	RAL 7035 GLOSS 85% LIGHT GREY	RAL 8003 GLOSS 85% CLAY BROWN	RAL 1015 GLOSS 85% IVORY	RAL 8717 GLOSS 85% DARK BROWN					
8/130	8/150	8/130	8/150	8/130	8/150	8/130	8/150	8/130	8/150	8/130	8/150	8/130	8/150	8/130	8/150	8/130	8/150	8/130	8/150	8/130	8/150	8/130	8/150	8/130	8/150	8/130	8/150	
CLAQ	CLAQ	CLAQ	CLAQ	CLAQ	CLAQ	CLAQ	CLAQ	CLAQ	CLAQ	CLAQ	CLAQ	CLAQ	CLAQ	CLAQ	CLAQ	CLAQ	CLAQ	CLAQ	CLAQ	CLAQ	CLAQ	CLAQ	CLAQ	CLAQ	CLAQ	CLAQ	CLAQ	
40-60	60-80	40-60	60-80	40-60	60-80	40-60	60-80	40-60	60-80	40-60	60-80	40-60	60-80	40-60	60-80	40-60	60-80	40-60	60-80	40-60	60-80	40-60	60-80	40-60	60-80	40-60	60-80	
M5x35 M5x65	M5x55 M5x85	M5x35 M5x65	M5x55 M5x85	M5x35 M5x65	M5x55 M5x85	M5x35 M5x65	M5x55 M5x85	M5x35 M5x65	M5x55 M5x85	M5x35 M5x65	M5x55 M5x85	M5x35 M5x65	M5x55 M5x85	M5x35 M5x65	M5x55 M5x85	M5x35 M5x65	M5x55 M5x85	M5x35 M5x65	M5x55 M5x85	M5x35 M5x65	M5x55 M5x85	M5x35 M5x65	M5x55 M5x85	M5x35 M5x65	M5x55 M5x85	M5x35 M5x65	M5x55 M5x85	
195	195	195	195	195	195	195	195	195	195	195	195	195	195	195	195	195	195	195	195	195	195	195	195	195	195	195	195	
ø10	ø10	ø10	ø10	ø10	ø10	ø10	ø10	ø10	ø10	ø10	ø10	ø10	ø10	ø10	ø10	ø10	ø10	ø10	ø10	ø10	ø10	ø10	ø10	ø10	ø10	ø10	ø10	
92	92	85	85	92	92	70	70	92	92	85	85	92	92	70	70	92	92	85	85	92	92	70	70	92	92	70	70	
24	24	24	24	24	24	24	24	24	24	24	24	24	24	24	24	24	24	24	24	24	24	24	24	24	24	24	24	
1	1	1	1	1	1	1	1	1	1	1	1	1	1	1	1	1	1	1	1	1	1	1	1	1	1	1	1	
16275001	16275002	16275003	16275004	16275005	16275006	16275001	16275002	16275003	16275004	16275005	16275006	16275001	16275002	16275003	16275004	16275005	16275006	16275001	16275002	16275003	16275004	16275005	16275006	16275001	16275002	16275003	16275004	16275005

VERSIONI DISPONIBILI_AVAILABLE VERSIONS

CAPITOLATO_SPECIFICATION



Per una descrizione dettagliata di tutte le specifiche tecniche presenti nel prodotto, da impiegare nei capitolati o nelle offerte pubbliche, fate riferimento alla sezione CAPITOLATI for a detailed description of all the technical informations contained in the product, to be used in the specifications or in public tenders, please refer to the SPECIFICATIONS section.

NORMA EN 1906_EN 1906 NORM

4 | 7 | - | 0 | 0 | 5 | 0 | B

0

design Leo De Carlo



0

design Leo De Carlo



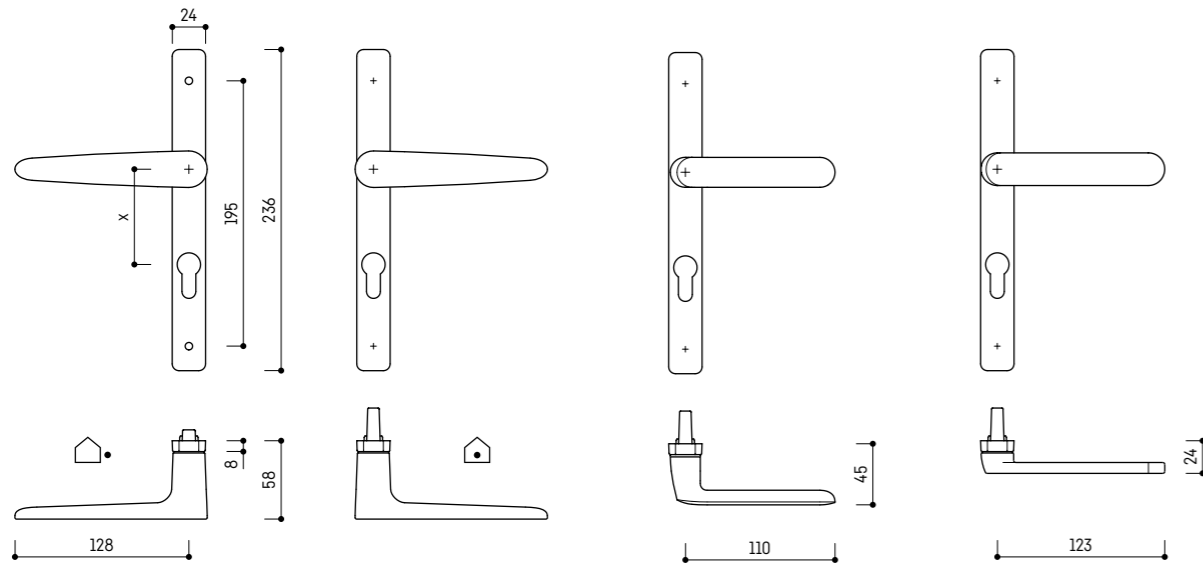
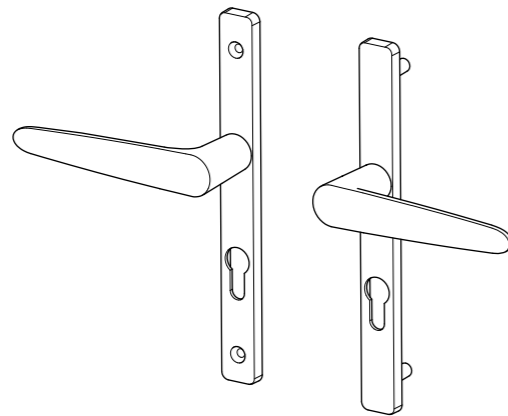
ALU

Supporto_Support

24x235x8mm

SET PLACCA - SUPPORTO 24x235x8mm_PLATE SET - SUPPORT 24x235x8mm

CARATTERISTICHE_FEATURES				FISSAGGIO_FIXING				FINITURE_FINISHES						OPZIONI_OPTIONS				



STANDARD

ANTI-COLLISION

REDUCED

											L				L L								
											F1	FP	ENOX	RAL 9005 GLOSS 65% BLACK	RAL 9006 GLOSS 85% WHITE SIGNAL	RAL 9010 GLOSS 85% PURE WHITE	BOY* WHITE	BOY* NOIR	RAL 7016 GLOSS 85% ANTHRACITE	RAL 7035 GLOSS 85% LIGHT GREY	RAL 8003 GLOSS 85% CLAY BROWN	RAL 1015 GLOSS 85% IVORY	RAL 8717 GLOSS 85% DARK BROWN
	8/150			M5x35 M5x65	195	ø10	92	24	4	16276007	●	●	-	●	●	●	-	-	●	-	-	-	-
	8/150			M5x35 M5x65	195	ø10	85	24	4	16276008	●	●	-	●	●	●	-	-	●	-	-	-	-
	7/150			M5x55 M5x85	195	ø10	70	24	4	16276009	●	●	-	●	●	●	-	-	●	-	-	-	-
	8/150			M5x35 M5x65	195	ø10	92	24	4	18776001	●	●	-	●	●	●	-	-	●	-	-	-	-
	8/150			M5x35 M5x65	195	ø10	85	24	4	18776002	●	●	-	●	●	●	-	-	●	-	-	-	-
	7/150			M5x55 M5x85	195	ø10	70	24	4	18776003	●	●	-	●	●	●	-	-	●	-	-	-	-
	8/130			M5x55 M5x85	195	ø10	92	24	4	16276010	●	●	-	●	●	●	-	-	●	-	-	-	-
	8/130			M5x70 M5x95	195	ø10	92	24	4	16276011	●	●	-	●	●	●	-	-	●	-	-	-	-
	8/130			M5x55 M5x80	195	ø10	85	24	4	16276012	●	●	-	●	●	●	-	-	●	-	-	-	-
	8/130			M5x70 M5x95	195	ø10	85	24	4	16276013	●	●	-	●	●	●	-	-	●	-	-	-	-
	7/150			M5x55 M5x85	195	ø10	70	24	4	16276014	●	●	-	●	●	●	-	-	●	-	-	-	-
	7/150			M5x70 M5x95	195	ø10	70	24	4	16276015	●	●	-	●	●	●	-	-	●	-	-	-	-

VERSIONI DISPONIBILI_AVAILABLE VERSIONS

CAPITOLATO_SPECIFICATION



Per una descrizione dettagliata di tutte le specifiche tecniche presenti nel prodotto, da impiegare nei capitolati o nelle offerte pubbliche, fate riferimento alla sezione CAPITOLATI for a detailed description of all the technical informations contained in the product, to be used in the specifications or in public tenders, please refer to the SPECIFICATIONS section.

NORMA EN 1906 _EN 1906 NORM

3 | 7 | - | 0 | 0 | 5 | 0 | B

0

design Leo De Carlo



0

design Leo De Carlo



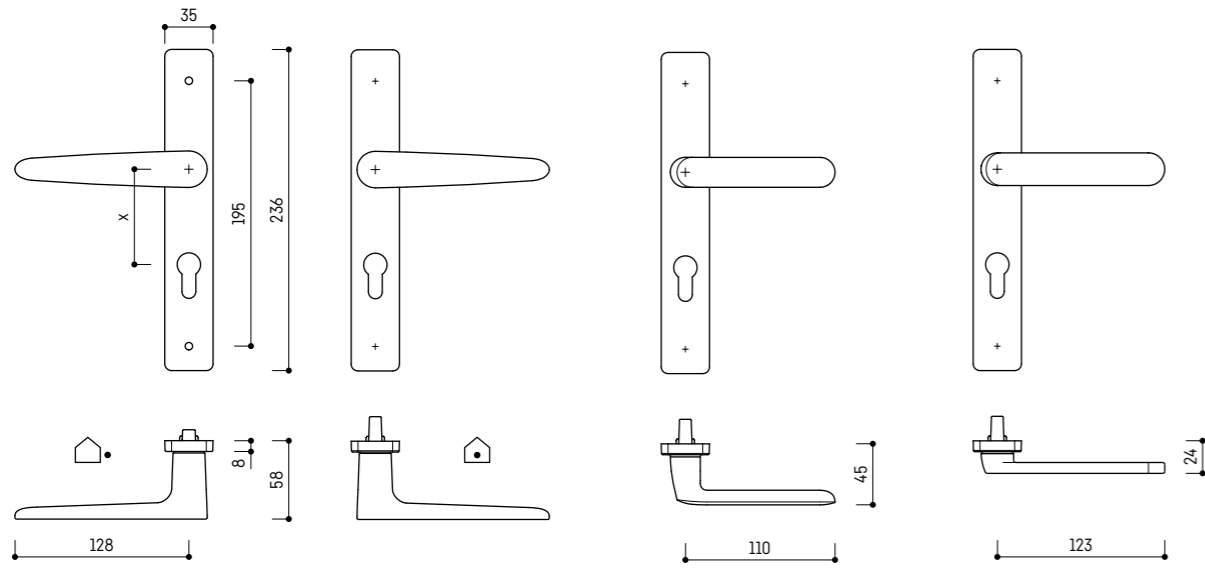
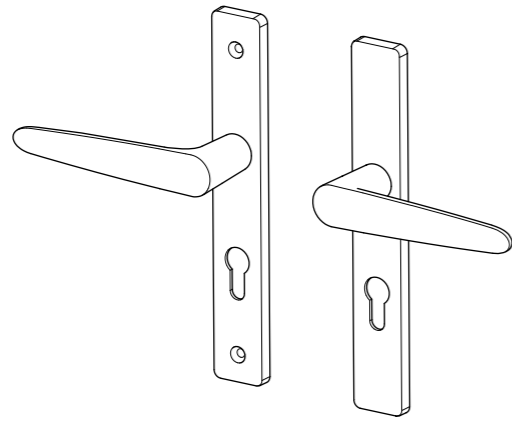
ALU

Supporto_Support

35x235x8mm

SET PLACCA - SUPPORTO 35x235x8mm_PLATE SET - SUPPORT 35x235x8mm

CARATTERISTICHE_FEATURES				FISSAGGIO_FIXING				FINITURE_FINISHES						OPZIONI_OPTIONS			



STANDARD

ANTI-COLLISION

REDUCED

											L				L L								
											F1	FP	ENDX	RAL 9005 GLOSS 65% BLACK	RAL 9006 GLOSS 85% WHITE SIGNAL	RAL 9010 GLOSS 85% PURE WHITE	BIOP* WHITE	BIOP* NOIR	RAL 7016 GLOSS 85% ANTHRACITE	RAL 7035 GLOSS 85% LIGHT GREY	RAL 8003 GLOSS 85% CLAY BROWN	RAL 1015 GLOSS 85% IVORY	RAL 8717 GLOSS 85% DARK BROWN
	8/150			M5x35 M5x65	195	ø10	92	24	4	16275007	●	●	-	●	●	●	-	-	●	-	-	-	-
	8/150			M5x35 M5x65	195	ø10	85	24	4	16275008	●	●	-	●	●	●	-	-	●	-	-	-	-
	7/150			M5x55 M5x85	195	ø10	70	24	4	16275009	●	●	-	●	●	●	-	-	●	-	-	-	-
	8/150			M5x35 M5x65	195	ø10	92	24	4	18775001	●	●	-	●	●	●	-	-	●	-	-	-	-
	8/150			M5x35 M5x65	195	ø10	85	24	4	18775002	●	●	-	●	●	●	-	-	●	-	-	-	-
	7/150			M5x55 M5x85	195	ø10	70	24	4	18775003	●	●	-	●	●	●	-	-	●	-	-	-	-
	8/130			M5x55 M5x85	195	ø10	92	24	4	16275010	●	●	-	●	●	●	-	-	●	-	-	-	-
	8/130			M5x70 M5x95	195	ø10	92	24	4	16275011	●	●	-	●	●	●	-	-	●	-	-	-	-
	8/130			M5x55 M5x80	195	ø10	85	24	4	16275012	●	●	-	●	●	●	-	-	●	-	-	-	-
	8/130			M5x70 M5x95	195	ø10	85	24	4	16275013	●	●	-	●	●	●	-	-	●	-	-	-	-
	7/150			M5x55 M5x85	195	ø10	70	24	4	16275014	●	●	-	●	●	●	-	-	●	-	-	-	-
	7/150			M5x70 M5x95	195	ø10	70	24	4	16275015	●	●	-	●	●	●	-	-	●	-	-	-	-

VERSIONI DISPONIBILI_AVAILABLE VERSIONS

CAPITOLATO_SPECIFICATION



Per una descrizione dettagliata di tutte le specifiche tecniche presenti nel prodotto, da impiegare nei capitolati o nelle offerte pubbliche, fate riferimento alla sezione CAPITOLATI for a detailed description of all the technical informations contained in the product, to be used in the specifications or in public tenders, please refer to the SPECIFICATIONS section.

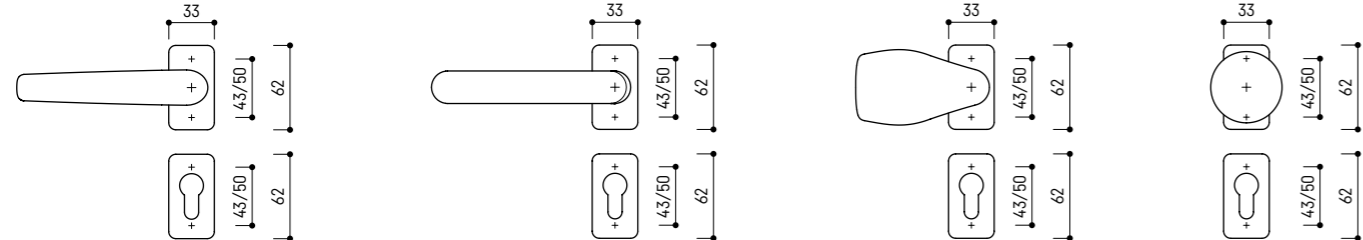
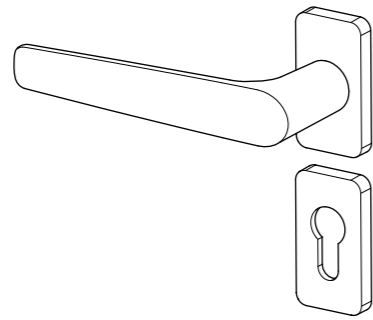
NORMA EN 1906 _EN 1906 NORM

3 | 7 | - | 0 | 0 | 5 | 0 | B



MANIGLIA PER PORTE ESTERNE - SUPPORTO 33x60x8mm_EXTERNAL DOORS HANDLE - SUPPORT 33x60x8mm

CARATTERISTICHE_FEATURES				FISSAGGIO_FIXING				FINITURE_FINISHES				OPZIONI_OPTIONS			
								CLASS 5	CLASS 5	CLASS 5	CLASS 5	CLASS 5			



STANDARD

REDUCED

LOFT KNOB
(FIXED)

ROUND KNOB
(FIXED)

VERSIONI DISPONIBILI_AVAILABLE VERSIONS

CAPITOLATO_SPECIFICATION

Per una descrizione dettagliata di tutte le specifiche tecniche presenti nel prodotto, da impiegare nei capitolati o nelle offerte pubbliche, fate riferimento alla sezione CAPITOLATI. For a detailed description of all the technical informations contained in the product, to be used in the specifications or in public tenders, please refer to the SPECIFICATIONS section.

NORMA EN 1906_EN 1906 NORM
4 | 7 | - | 0 | 0 | 5 | 0 | B

											L						L L							
											62	50	03	04	58	08	06	52	07	01	02			
	8*				-	3,9x25	43/50	-	-	24	1	07970002	-	-	●	●	●	●	-	-	●	●	●	
	7*				-	3,9x25	43/50	-	-	24	1	07970003	-	-	●	●	●	●	-	-	●	●	●	
	8*				-	3,9x25	43/50	-	-	24	1	07978001	-	-	●	●	●	●	-	-	●	●	●	
	7*				-	3,9x25	43/50	-	-	24	1	07978002	-	-	●	●	●	●	-	-	●	●	●	
	8/170				60-90	3,9x25	43/50	-	-	24	1	07970004	-	-	58,98	59,27	58,98	70,96	-	-	64,20	64,20	59,27	
	7/170				60-90	3,9x25	43/50	-	-	24	1	07970006	-	-	58,98	59,27	58,98	70,96	-	-	64,20	64,20	59,27	
	8/170				60-90	3,9x25	43/50	-	-	24	1	07978003	-	-	61,59	61,88	61,59	73,57	-	-	66,81	66,81	61,88	
	7/170				60-90	3,9x25	43/50	-	-	24	1	07978005	-	-	61,59	61,88	61,59	73,57	-	-	66,81	66,81	61,88	
	8/170				60-90	3,9x25	43/50	-	-	24	1	07970005	-	-	●	●	●	●	-	-	●	●	●	
	7/170				60-90	3,9x25	43/50	-	-	24	1	07970007	-	-	●	●	●	●	-	-	●	●	●	
	8/170				60-90	3,9x25	43/50	-	-	24	1	07978004	-	-	●	●	●	●	-	-	●	●	●	
	7/170				60-90	3,9x25	43/50	-	-	24	1	07978006	-	-	●	●	●	●	-	-	●	●	●	
	-	-	-		-	3,9x25	43/50	-	-	24	4	06525139	-	-	●	●	●	●	●	-	-	●	●	●
	8/110				45-60	3,9x25	43/50	-	-	12	1	19470001	-	-	●	●	●	●	●	-	-	●	●	-
	8/125				60-75	3,9x25	43/50	-	-	12	1	19470002	-	-	●	●	●	●	●	-	-	●	●	-
	8/140				75-90	3,9x25	43/50	-	-	12	1	19470003	-	-	●	●	●	●	●	-	-	●	●	-
	8/110				45-60	3,9x25	43/50	-	-	12	1	19478001	-	-	●	●	●	●	●	-	-	●	●	●
	8/125				60-75	3,9x25	43/50	-	-	12	1	19478002	-	-	●	●	●	●	●	-	-	●	●	●
	8/140				75-90	3,9x25	43/50	-	-	12	1	19478003	-	-	●	●	●	●	●	-	-	●	●	●
	7/110				45-60	3,9x25	43/50	-	-	12	1	19470004	-	-	●	●	●	●	●	-	-	●	●	-
	7/125				60-75	3,9x25	43/50	-	-	12	1	19470005	-	-	●	●	●	●	●	-	-	●	●	-
7/140				75-90	3,9x25	43/50	-	-	12	1	19470006	-	-	●	●	●	●	●	-	-	●	●	-	
7/110				45-60	3,9x25	43/50	-	-	12	1	19478004	-	-	●	●	●	●	●	-	-	●	●	-	

Opzioni_Options -



IRON

Supporto_Support

Ferro uscita emergenza EN-179_Emergency exit EN-179 spindle

EN-179	Icons										MECHANISM
	62	50	03	04	5B	08	06	52	07	01	
8-9-8/140	CLAS	-	30-70	-	-	-	-	10	8	06727538	26
8-9-8/150	CLAS	-	40-80	-	-	-	-	10	8	06727540	
8-9-8/160	CLAS	-	50-90	-	-	-	-	10	8	06727542	
8-9-8/180	CLAS	-	70-110	-	-	-	-	10	8	06727546	
8-9-8/185	CLAS	-	75-115	-	-	-	-	10	8	06727547	
8-9-8/195	CLAS	-	85-125	-	-	-	-	10	8	06727548	

Opzioni_Options -



IRON

Supporto_Support

1/2 ferro ancora_1/2 anchor spindle

EN-179	Icons										MECHANISM
	62	50	03	04	5B	08	06	52	07	01	
8/60	CLAS	-	-	-	-	-	-	10	8	06727462	26
8/70	CLAS	-	-	-	-	-	-	10	8	06727427	
8/80	CLAS	-	-	-	-	-	-	10	8	06727428	
8/90	CLAS	-	-	-	-	-	-	10	8	06727429	
8/100	CLAS	-	-	-	-	-	-	10	8	06727463	
7/60	CLAS	-	-	-	-	-	-	10	8	06727432	
7/70	CLAS	-	-	-	-	-	-	10	8	06727433	
7/80	CLAS	-	-	-	-	-	-	10	8	06727434	
7/90	CLAS	-	-	-	-	-	-	10	8	06727435	
7/100	CLAS	-	-	-	-	-	-	10	8	06727436	

LOFT pomolo fisso_fixed knob

design Leo De Carlo



ZAMAK

Supporto_Support

33x60x8mm

7* or 8*	Icons										Color Options												
	62	50	03	04	5B	08	06	52	07	01	02	PLATINUM	BLACK PEARL	PLATINUM	BLACK PEARL	COPPER PEARL	NOIR PEARL	ANTIQUÉ GOLD	COPPER SHINING	CRYSTAL SHINING	GOLD SHINING	WHITE PEARL	
7* or 8*	CLAS	-	3,9x25	43/50	-	-	-	12	1	17070001			●	●	●	●	●			●	●	●	●

ROUND pomolo fisso_fixed knob

design Leo De Carlo



ZAMAK

Supporto_Support

33x60x8mm

7* or 8*	Icons										Color Options												
	62	50	03	04	5B	08	06	52	07	01	02	PLATINUM	BLACK PEARL	PLATINUM	BLACK PEARL	COPPER PEARL	NOIR PEARL	ANTIQUÉ GOLD	COPPER SHINING	CRYSTAL SHINING	GOLD SHINING	WHITE PEARL	
7* or 8*	CLAS	-	3,9x25	43/50	-	-	-	12	1	19670001			●	●	●	●	●			●	●	●	●

Opzioni_Options -

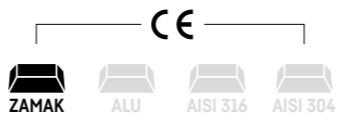


IRON

Supporto_Support

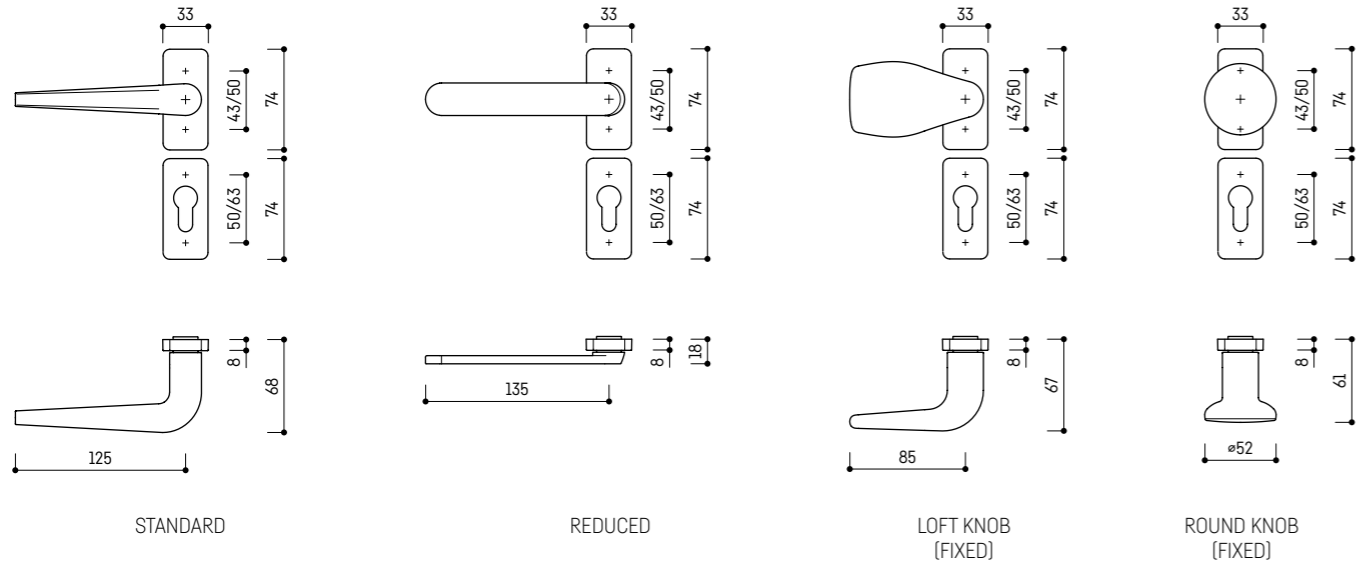
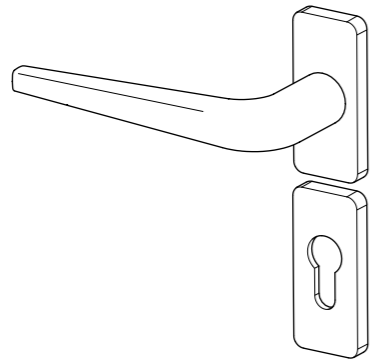
1/2 ferro per pomolo fisso_1/2 fixed knob spindle

7/90	Icons										MECHANISM
	62	50	03	04	5B	08	06	52	07	01	
7/90	CLAS	-	45-55	-	-	-	-	10	8	06727507	26
7/100	CLAS	-	50-65	-	-	-	-	10	8	06727508	
7/110	CLAS	-	60-75	-	-	-	-	10	8	06727509	
7/120	CLAS	-	70-85	-	-	-	-	10	8	06727510	
7/130	CLAS	-	80-95	-	-	-	-	10	8	06727551	
7/140	CLAS	-	90-105	-	-	-	-	10	8	06727552	
8/90	CLAS	-	45-55	-	-	-	-	10	8	06727503	
8/100	CLAS	-	50-65	-	-	-	-	10	8	06727504	
8/110	CLAS	-	60-75	-	-	-	-	10	8	06727505	
8/120	CLAS	-	70-85	-	-	-	-	10	8	06727506	
8/130	CLAS	-	80-95	-	-	-	-	10	8	06727549	
8/140	CLAS	-	90-105	-	-	-	-	10	8	06727550	



MANIGLIA PER PORTE ESTERNE - SUPPORTO 33x74x8mm_EXTERNAL DOORS HANDLE - SUPPORT 33x74x8mm

CARATTERISTICHE_FEATURES				FISSAGGIO_FIXING				FINITURE_FINISHES				OPZIONI_OPTIONS						



VERSIONI DISPONIBILI_AVAILABLE VERSIONS

VERSIONI DISPONIBILI_AVAILABLE VERSIONS					CAPITOLATO_SPECIFICATION
					Per una descrizione dettagliata di tutte le specifiche tecniche presenti nel prodotto, da impiegare nei capitolati o nelle offerte pubbliche, fate riferimento alla sezione CAPITOLATI for a detailed description of all the technical informations contained in the product, to be used in the specifications or in public tenders, please refer to the SPECIFICATIONS section. NORMA EN 1906_EN 1906 NORM 4 7 - 0 0 5 0 B

	■	+	Screw	Bracket	L	X	X	X	X	X	X	X	X	X	X	X	X	X	●				●			
																			62	50	03	04	58	08	06	52
	8*				-	3,9x25	43/50	-	-	24	1	07504019	-	-	●	●	●	●	-	-	●	●	-			
	8/170				60-90	3,9x25	43/50	-	-	24	1	07504018	-	-	●	●	●	●	-	-	●	●	-			
	8/170				60-90	3,9x25	43/50/50/63	-	-	24	1	07504016	-	-	●	●	●	●	-	-	●	●	-			
	-	-	-		-	3,9x25	43/50	-	-	24	4	06525138	-	-	●	●	●	●	-	-	●	●	●			
	8/110				45-60	3,9x25	43/50	-	-	12	1	19404001	-	-	●	●	●	●	-	-	●	●	-			
	8/125				60-75	3,9x25	43/50	-	-	12	1	19404002	-	-	●	●	●	●	-	-	●	●	-			
	8/140				75-90	3,9x25	43/50	-	-	12	1	19404003	-	-	●	●	●	●	-	-	●	●	-			

Opzioni_Options



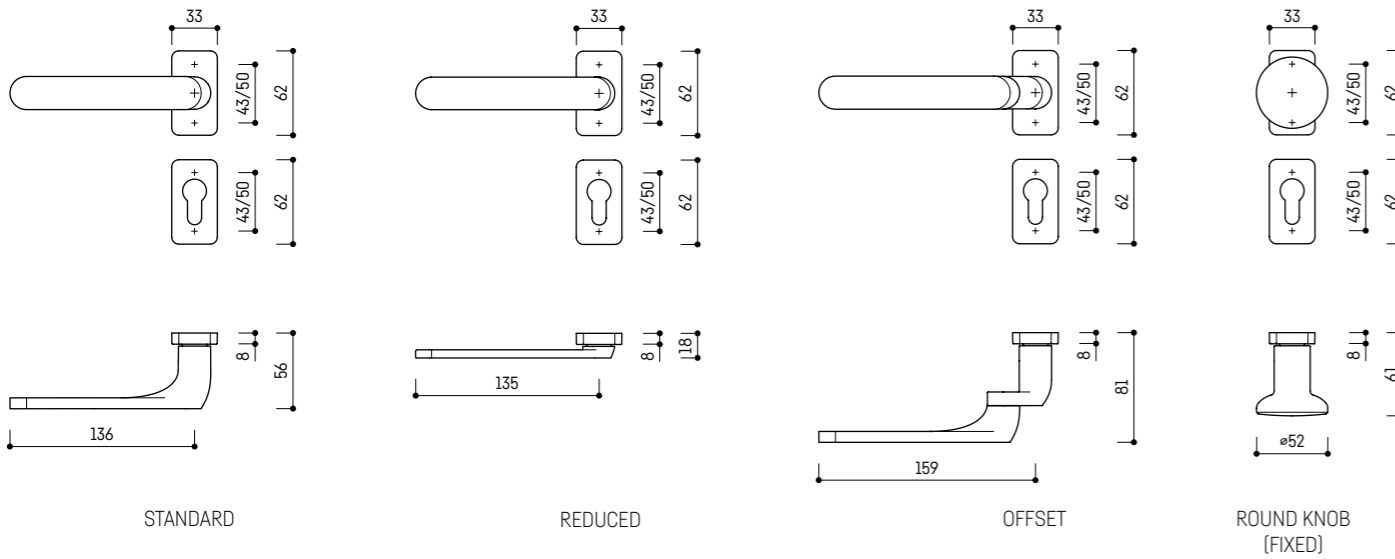
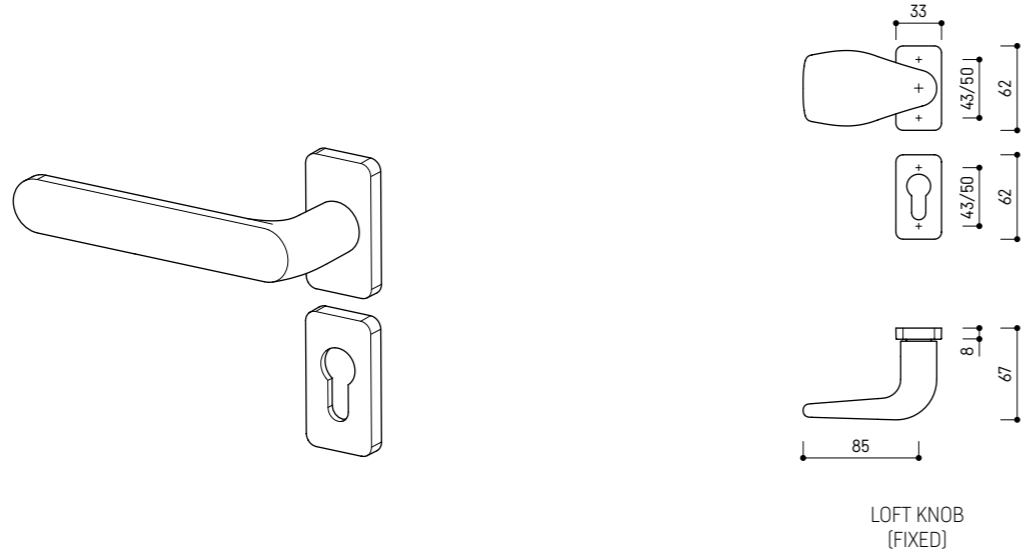
Supporto_Support Ferro standard_Standard spindle

	■	+	Screw	Bracket	L	X	X	X	X	X	X	X	X	X	X	X	X	X	X	●
																				MECHANISM
	7/140		-	30-70	-	-	-	-	-	10	8	06727634	-	-	●	●	●	●	●	26
	7/150		-	40-80	-	-	-	-	-	10	8	06727485	-	-	●	●	●	●	●	●
	7/160		-	50-90	-	-	-	-	-	10	8	06727635	-	-	●	●	●	●	●	●
	7/180		-	70-110	-	-	-	-	-	10	8	06727199	-	-	●	●	●	●	●	●
	7/185		-	75-115	-	-	-	-	-	10	8	06727200	-	-	●	●	●	●	●	●
	7/195		-	85-125	-	-	-	-	-	10	8	06727201	-	-	●	●	●	●	●	●
	8/140		-	30-70	-	-	-	-	-	10	8	06727422	-	-	●	●	●	●	●	●
	8/150		-	40-80	-	-	-	-	-	10	8	06727643	-	-	●	●	●	●	●	●
	8/160		-	50-90	-	-	-	-	-	10	8	06727996	-	-	●	●	●	●	●	●
	8/180		-	70-110	-	-	-	-	-	10	8	06727466	-	-	●	●	●	●	●	●
	8/185		-	75-115	-	-	-	-	-	10	8	06727499	-	-	●	●	●	●	●	●
	8/195		-	85-125	-	-	-	-	-	10	8	06727500	-	-	●	●	●	●	●	●



MANIGLIA PER PORTE PROFILO ESTERNE - SUPPORTO 33x60x8mm, EXTERNAL PROFILE DOORS HANDLE - SUPPORT 33x60x8mm

CARATTERISTICHE_FEATURES				FISSAGGIO_FIXING				FINITURE_FINISHES				OPZIONI_OPTIONS						



VERSIONI DISPONIBILI_AVAILABLE VERSIONS

CAPITOLATO_SPECIFICATION

Per una descrizione dettagliata di tutte le specifiche tecniche presenti nel prodotto, da impiegare nei capitolati o nelle offerte pubbliche, fate riferimento alla sezione CAPITOLATI. For a detailed description of all the technical informations contained in the product, to be used in the specifications or in public tenders, please refer to the SPECIFICATIONS section.

NORMA EN 1906_EN 1906 NORM
4 | 7 | - | 0 | 0 | 5 | 0 | B

Icon	8"	7"	Icon	-	3,9x25	43/50	-	-	24	1	20070001	L						L L				
												62	50	03	04	5B	08	06	52	07	01	02
				-	3,9x25	43/50	-	-	24	1	20070001											
				-	3,9x25	43/50	-	-	24	1	20070002											
				-	3,9x25	43/50	-	-	24	1	20078001											
				-	3,9x25	43/50	-	-	24	1	20078002											
				60-90	3,9x25	43/50	-	-	24	1	20070003											
				60-90	3,9x25	43/50	-	-	24	1	20070004											
				60-90	3,9x25	43/50	-	-	24	1	20078003											
				60-90	3,9x25	43/50	-	-	24	1	20078004											
				60-90	3,9x25	43/50	-	-	24	1	20070005											
				60-90	3,9x25	43/50	-	-	24	1	20070006											
				60-90	3,9x25	43/50	-	-	24	1	20078005											
				60-90	3,9x25	43/50	-	-	24	1	20078006											
	-	-		-	3,9x25	43/50	-	-	24	4	06525139											
				45-60	3,9x25	43/50	-	-	12	1	19470001											
				60-75	3,9x25	43/50	-	-	12	1	19470002											
				75-90	3,9x25	43/50	-	-	12	1	19470003											
				45-60	3,9x25	43/50	-	-	12	1	19478001											
				60-75	3,9x25	43/50	-	-	12	1	19478002											
				75-90	3,9x25	43/50	-	-	12	1	19478003											
				45-60	3,9x25	43/50	-	-	12	1	19470004											
				60-75	3,9x25	43/50	-	-	12	1	19470005											
				75-90	3,9x25	43/50	-	-	12	1	19470006											
				45-60	3,9x25	43/50	-	-	12	1	19478004											

ROUND pomolo fisso_fixed knob

design Leo De Carlo



ZAMAK

Supporto_Support

33x60x8mm

					62	50	03	04	58	08	06	52	07	01	02						
7* or 8*	CLAG	-	-	3,9x25	43/50	-	-	12	1	19670001	-	-	●	●	●	●	●	●	●	●	-

Opzioni_Options

IRON

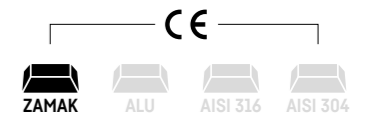
Supporto_Support

1/2 ferro per pomolo fisso_1/2 fixed knob spindle

					MECHANISM									
7/90	CLAG	-	45-55	-	-	-	-	10	8	06727507	●			
7/100	CLAG	-	50-65	-	-	-	-	10	8	06727508	●			
7/110	CLAG	-	60-75	-	-	-	-	10	8	06727509	●			
7/120	CLAG	-	70-85	-	-	-	-	10	8	06727510	●			
7/130	CLAG	-	80-95	-	-	-	-	10	8	06727551	●			
7/140	CLAG	-	90-105	-	-	-	-	10	8	06727552	●			
8/90	CLAG	-	45-55	-	-	-	-	10	8	06727503	●			
8/100	CLAG	-	50-65	-	-	-	-	10	8	06727504	●			
8/110	CLAG	-	60-75	-	-	-	-	10	8	06727505	●			
8/120	CLAG	-	70-85	-	-	-	-	10	8	06727506	●			
8/130	CLAG	-	80-95	-	-	-	-	10	8	06727549	●			
8/140	CLAG	-	90-105	-	-	-	-	10	8	06727550	●			

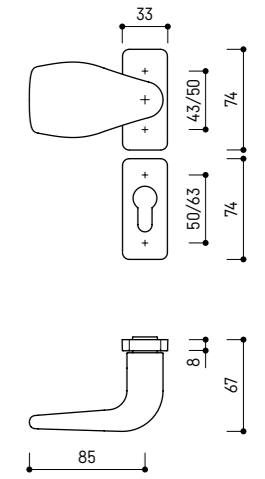
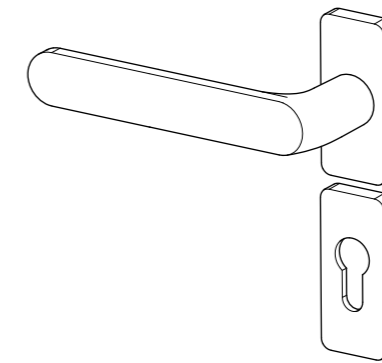
ARCO

design Leo De Carlo

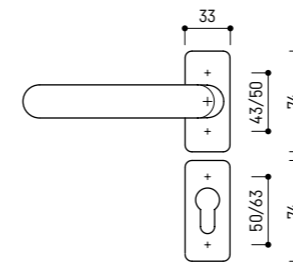


MANIGLIA PER PORTE ESTERNE - SUPPORTO 33x74x8mm_EXTERNAL DOORS HANDLE - SUPPORT 33x74x8mm

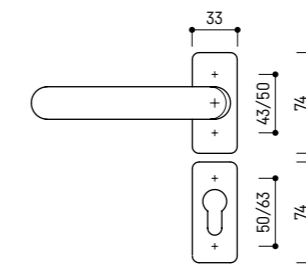
CARATTERISTICHE_FEATURES				FISSAGGIO_FIXING				FINITURE_FINISHES					OPZIONI_OPTIONS						



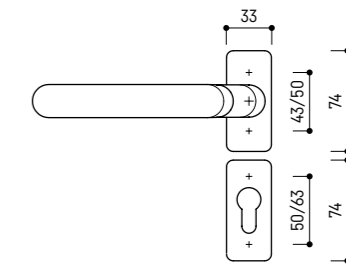
LOFT KNOB (FIXED)



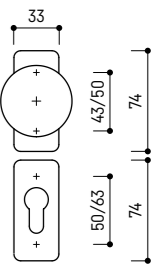
STANDARD



REDUCED



OFFSET



ROUND KNOB (FIXED)

VERSIONI DISPONIBILI_AVAILABLE VERSIONS

CAPITOLATO_SPECIFICATION

Per una descrizione dettagliata di tutte le specifiche tecniche presenti nel prodotto, da impiegare nei capitolati o nelle offerte pubbliche, fate riferimento alla sezione CAPITOLATI. For a detailed description of all the technical informations contained in the product, to be used in the specifications or in public tenders, please refer to the SPECIFICATIONS section.

NORMA EN 1906_EN 1906 NORM

4 | 7 | - | 0 | 0 | 5 | 0 | B

ARCO design Leo De Carlo



ZAMAK

Supporto_Support

33x74x8mm

	8*	+	-	-	3,9x25	43/50	-	-	24	1	20004001	MECHANISM										
												62	50	03	04	5B	08	06	52	07	01	02
	8*	+	+	-	3,9x25	43/50	-	-	24	1	20004001	-	-	•	•	•	•	-	-	•	•	•
	8/170	+	+	60-90	3,9x25	43/50	-	-	24	1	20004002	-	-	•	•	•	•	-	-	•	•	-
	8/170	+	+	60-90	3,9x25	43/50 50/63	-	-	24	1	20004003	-	-	•	•	•	•	-	-	•	•	-
	-	-	+	-	3,9x25	50/63	-	-	24	4	06252138	-	-	•	•	•	•	•	-	•	•	•
	8/110	+	+	45-60	3,9x25	43/50	-	-	12	1	19404001	-	-	•	•	•	•	•	-	•	•	-
	8/125	+	+	60-75	3,9x25	43/50	-	-	12	1	194040002	-	-	•	•	•	•	•	-	•	•	-
	8/140	+	+	75-90	3,9x25	43/50	-	-	12	1	19404003	-	-	•	•	•	•	•	-	•	•	-
	8*	+	+	-	3,9x25	43/50	-	-	24	1	20104001	-	-	•	•	•	•	-	-	•	•	•

Opzioni_Options

IRON

Supporto_Support

Ferro standard_Standard spindle

	7/140	+	-	30-70	-	-	-	-	10	8	06727634	MECHANISM										
												62	50	03	04	5B	08	06	52	07	01	02
	7/140	+	-	30-70	-	-	-	-	10	8	06727634	-	-	•	•	•	•	•	-	•	•	•
	7/150	+	-	40-80	-	-	-	-	10	8	06727485	-	-	•	•	•	•	•	-	•	•	•
	7/160	+	-	50-90	-	-	-	-	10	8	06727635	-	-	•	•	•	•	•	-	•	•	•
	7/180	+	-	70-110	-	-	-	-	10	8	06727199	-	-	•	•	•	•	•	-	•	•	•
	7/185	+	-	75-115	-	-	-	-	10	8	06727200	-	-	•	•	•	•	•	-	•	•	•
	7/195	+	-	85-125	-	-	-	-	10	8	06727201	-	-	•	•	•	•	•	-	•	•	•
	8/140	+	-	30-70	-	-	-	-	10	8	06727422	-	-	•	•	•	•	•	-	•	•	•
	8/150	+	-	40-80	-	-	-	-	10	8	06727643	-	-	•	•	•	•	•	-	•	•	•
	8/160	+	-	50-90	-	-	-	-	10	8	06727996	-	-	•	•	•	•	•	-	•	•	•
	8/180	+	-	70-110	-	-	-	-	10	8	06727466	-	-	•	•	•	•	•	-	•	•	•
	8/185	+	-	75-115	-	-	-	-	10	8	06727499	-	-	•	•	•	•	•	-	•	•	•
	8/195	+	-	85-125	-	-	-	-	10	8	06727500	-	-	•	•	•	•	•	-	•	•	•

Opzioni_Options

IRON

Supporto_Support

Ferro uscita emergenza EN-179_Emergency exit EN-179 spindle

	8/140	+	-	30-70	-	-	-	-	10	8	06727522	MECHANISM										
												62	50	03	04	5B	08	06	52	07	01	02
	8/140	+	-	30-70	-	-	-	-	10	8	06727522	-	-	•	•	•	•	•	-	•	•	•
	8/150	+	-	40-80	-	-	-	-	10	8	06727524	-	-	•	•	•	•	•	-	•	•	•
	8/160	+	-	50-90	-	-	-	-	10	8	06727526	-	-	•	•	•	•	•	-	•	•	•
	8/180	+	-	70-110	-	-	-	-	10	8	06727530	-	-	•	•	•	•	•	-	•	•	•
	8/185	+	-	75-115	-	-	-	-	10	8	06727531	-	-	•	•	•	•	•	-	•	•	•
	8/195	+	-	85-125	-	-	-	-	10	8	06727532	-	-	•	•	•	•	•	-	•	•	•
	8-9-8/140	+	-	30-70	-	-	-	-	10	8	06727538	-	-	•	•	•	•	•	-	•	•	•
	8-9-8/150	+	-	40-80	-	-	-	-	10	8	06727540	-	-	•	•	•	•	•	-	•	•	•
	8-9-8/160	+	-	50-90	-	-	-	-	10	8	06727542	-	-	•	•	•	•	•	-	•	•	•
	8-9-8/180	+	-	70-110	-	-	-	-	10	8	06727546	-	-	•	•	•	•	•	-	•	•	•
	8-9-8/185	+	-	75-115	-	-	-	-	10	8	06727547	-	-	•	•	•	•	•	-	•	•	•
	8-9-8/195	+	-	85-125	-	-	-	-	10	8	06727548	-	-	•	•	•	•	•	-	•	•	•

Opzioni_Options

IRON

Supporto_Support

1/2 ferro ancora_1/2 anchor spindle

	8/60	+	-	-	-	-	-	-	10	8	06727462	MECHANISM										
												62	50	03	04	5B	08	06	52	07	01	02
	8/60	+	-	-	-	-	-	-	10	8	06727462	-	-	•	•	•	•	•	-	•	•	•
	8/70	+	-	-	-	-	-	-	10	8	06727427	-	-	•	•	•	•	•	-	•	•	•
	8/80	+	-	-	-	-	-	-	10	8	06727428	-	-	•	•	•	•	•	-	•	•	•
	8/90	+	-	-	-	-	-	-	10	8	06727429	-	-	•	•	•	•	•	-	•	•	•
	8/100	+	-	-	-	-	-	-	10	8	06727463	-	-	•	•	•	•	•	-	•	•	•
	7/60	+	-	-	-	-	-	-	10	8	06727432	-	-	•	•	•	•	•	-	•	•	•
	7/70	+	-	-	-	-	-	-	10	8	06727433	-	-	•	•	•	•	•	-	•	•	•
	7/80	+	-	-	-	-	-	-	10	8	06727434	-	-	•	•	•	•	•	-	•	•	•
	7/90	+	-	-	-	-	-	-	10	8	06727435	-	-	•	•	•	•	•	-	•	•	•
	7/100	+	-	-	-	-	-	-	10	8	06727436	-	-	•	•	•	•	•	-	•	•	•

LOFT pomolo fisso_fixed knob

design Leo De Carlo



ZAMAK

Supporto_Support

33x74x8mm

	7* or 8*	+	-	-	3,9x25	43/50	-	-	12	1	17004001	MECHANISM										
												62	50	03	04	5B	08	06	52	07	01	02
	7* or 8*	+	+	-	3,9x25	43/50	-	-	12	1	17004001	-	-	•	•	•	•	•	-	•	•	•

ROUND pomolo fisso_fixed knob

design Leo De Carlo



ZAMAK

Supporto_Support

33x74x8mm

Icone	7*or 8*	CLAQ	R	W	MECHANISM	PLATINUM	BLACK PEARL	PLATINUM	BLACK PEARL	COPPER PEARL	NOIR PEARL	ANTIQUE GOLD	COPPER SHINING	CRYSTAL SHINING	GOLD SHINING	WHITE PEARL
						62	50	03	04	58	08	06	52	07	01	02
	7*or 8*					●	●	●	●	●	●	●	●	●	●	●
	3,9x25	43/50														

Opzioni_Options

IRON

Supporto_Support

1/2 ferro per pomolo fisso_1/2 fixed knob spindle

Icone	7/90	7/100	7/110	7/120	7/130	7/140	8/90	8/100	8/110	8/120	8/130	8/140
	7/90	7/100	7/110	7/120	7/130	7/140	8/90	8/100	8/110	8/120	8/130	8/140

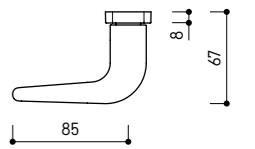
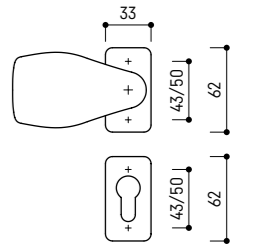
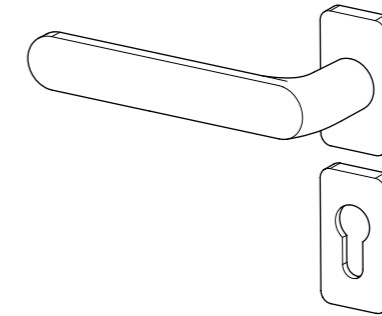
ARCO

design Leo De Carlo

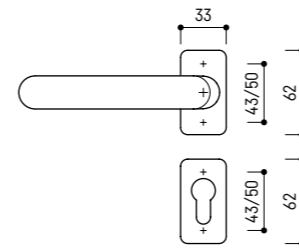


MANIGLIA PER PORTE ESTERNE - SUPPORTO 33x60x8mm_EXTERNAL DOORS HANDLE - SUPPORT 33x60x8mm

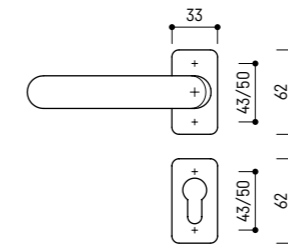
CARATTERISTICHE_FEATURES	FISSAGGIO_FIXING	FINITURE_FINISHES	OPZIONI_OPTIONS



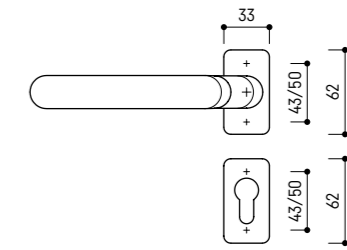
LOFT KNOB (FIXED)



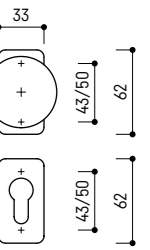
STANDARD



REDUCED



OFFSET



ROUND KNOB (FIXED)

VERSIONI DISPONIBILI_AVAILABLE VERSIONS

CAPITOLATO_SPECIFICATION

Per una descrizione dettagliata di tutte le specifiche tecniche presenti nel prodotto, da impiegare nei capitolati o nelle offerte pubbliche, fate riferimento alla sezione CAPITOLATI. For a detailed description of all the technical informations contained in the product, to be used in the specifications or in public tenders, please refer to the SPECIFICATIONS section.

NORMA EN 1906 _EN 1906 NORM

4 7 - 0 0 5 0 B

Opzioni_Options -



IRON

Supporto_Support

Ferro uscita emergenza EN-179_Emergency exit EN-179 spindle

EN-179	Opzioni_Options										Supporto_Support									
	■	+	⌘	U	X	⊙	⊖	⊕	⊗	⊘	⊙	⊖	⊕	⊗	⊘	MECHANISM	26			
8/140	●	●	●	●	●	●	●	●	●	●	●	●	●	●	●	●	●			
8/150	●	●	●	●	●	●	●	●	●	●	●	●	●	●	●	●	●			
8/160	●	●	●	●	●	●	●	●	●	●	●	●	●	●	●	●	●			
8/180	●	●	●	●	●	●	●	●	●	●	●	●	●	●	●	●	●			
8/185	●	●	●	●	●	●	●	●	●	●	●	●	●	●	●	●	●			
8/195	●	●	●	●	●	●	●	●	●	●	●	●	●	●	●	●	●			
8-9-8/140	●	●	●	●	●	●	●	●	●	●	●	●	●	●	●	●	●			
8-9-8/150	●	●	●	●	●	●	●	●	●	●	●	●	●	●	●	●	●			
8-9-8/160	●	●	●	●	●	●	●	●	●	●	●	●	●	●	●	●	●			
8-9-8/180	●	●	●	●	●	●	●	●	●	●	●	●	●	●	●	●	●			
8-9-8/185	●	●	●	●	●	●	●	●	●	●	●	●	●	●	●	●	●			
8-9-8/195	●	●	●	●	●	●	●	●	●	●	●	●	●	●	●	●	●			

Opzioni_Options -



IRON

Supporto_Support

1/2 ferro ancora_1/2 anchor spindle

	Opzioni_Options										Supporto_Support									
	■	+	⌘	U	X	⊙	⊖	⊕	⊗	⊘	⊙	⊖	⊕	⊗	⊘	MECHANISM	26			
8/60	●	●	●	●	●	●	●	●	●	●	●	●	●	●	●	●	●			
8/70	●	●	●	●	●	●	●	●	●	●	●	●	●	●	●	●	●			
8/80	●	●	●	●	●	●	●	●	●	●	●	●	●	●	●	●	●			
8/90	●	●	●	●	●	●	●	●	●	●	●	●	●	●	●	●	●			
8/100	●	●	●	●	●	●	●	●	●	●	●	●	●	●	●	●	●			
7/60	●	●	●	●	●	●	●	●	●	●	●	●	●	●	●	●	●			
7/70	●	●	●	●	●	●	●	●	●	●	●	●	●	●	●	●	●			
7/80	●	●	●	●	●	●	●	●	●	●	●	●	●	●	●	●	●			
7/90	●	●	●	●	●	●	●	●	●	●	●	●	●	●	●	●	●			
7/100	●	●	●	●	●	●	●	●	●	●	●	●	●	●	●	●	●			

LOFT pomolo fisso_fixed knob

design Leo De Carlo



ALU

Supporto_Support

33x60x8mm

7* or 8*	Opzioni_Options										Supporto_Support									
	■	+	⌘	U	X	⊙	⊖	⊕	⊗	⊘	⊙	⊖	⊕	⊗	⊘	MECHANISM	26			
7* or 8*	●	●	●	●	●	●	●	●	●	●	●	●	●	●	●	●	●			

ROUND pomolo fisso_fixed knob

design Leo De Carlo



ALU

Supporto_Support

33x60x8mm

7* or 8*	Opzioni_Options										Supporto_Support									
	■	+	⌘	U	X	⊙	⊖	⊕	⊗	⊘	⊙	⊖	⊕	⊗	⊘	MECHANISM	26			
7* or 8*	●	●	●	●	●	●	●	●	●	●	●	●	●	●	●	●	●			

Opzioni_Options -



IRON

Supporto_Support

1/2 ferro per pomolo fisso_1/2 fixed knob spindle

7/90	Opzioni_Options										Supporto_Support									
	■	+	⌘	U	X	⊙	⊖	⊕	⊗	⊘	⊙	⊖	⊕	⊗	⊘	MECHANISM	26			
7/90	●	●	●	●	●	●	●	●	●	●	●	●	●	●	●	●	●			
7/100	●	●	●	●	●	●	●	●	●	●	●	●	●	●	●	●	●			
7/110	●	●	●	●	●	●	●	●	●	●	●	●	●	●	●	●	●			
7/120	●	●	●	●	●	●	●	●	●	●	●	●	●	●	●	●	●			
7/130	●	●	●	●	●	●	●	●	●	●	●	●	●	●	●	●	●			
7/140	●	●	●	●	●	●	●	●	●	●	●	●	●	●	●	●	●			
8/90	●	●	●	●	●	●	●	●	●	●	●	●	●	●	●	●	●			
8/100	●	●	●	●	●	●	●	●	●	●	●	●	●	●	●	●	●			
8/110	●	●	●	●	●	●	●	●	●	●	●	●	●	●	●	●	●			
8/120	●	●	●	●	●	●	●	●	●	●	●	●	●	●	●	●	●			
8/130	●	●	●	●	●	●	●	●	●	●	●	●	●	●	●	●	●			
8/140	●	●	●	●	●	●	●	●	●	●	●	●	●	●	●	●	●			

Opzioni_Options -



ALU

Supporto_Support

Maniglia singola_Single handle

7	Opzioni_Options										Supporto_Support									
	■	+	⌘	U	X	⊙	⊖	⊕	⊗	⊘	⊙	⊖	⊕	⊗	⊘	MECHANISM	26			
7	●	●	●	●	●	●	●	●	●	●	●	●	●	●	●	●	●			
8	●	●	●	●	●	●	●	●	●	●	●	●	●	●	●	●	●			

Opzioni_Options -



ALU

Supporto_Support

Maniglia singola offset_Offset single handle

8		-	-	-	-	-	-	24	4	20250002	FI FP ENOX RAL 9005 GLOSS 6% BLACK RAL 9006 GLOSS 85% WHITE SIGNAL RAL 9010 GLOSS 85% PURE WHITE RAL 9002 WHITE RAL 9004 NOIR RAL 7016 ANTHRACITE RAL 7035 GLOSS 85% LIGHT GREY RAL 8003 GLOSS 85% CLAY BROWN RAL 1015 GLOSS 85% HONEY RAL 8717 GLOSS 85% DARK BROWN
---	--	---	---	---	---	---	---	----	---	----------	--

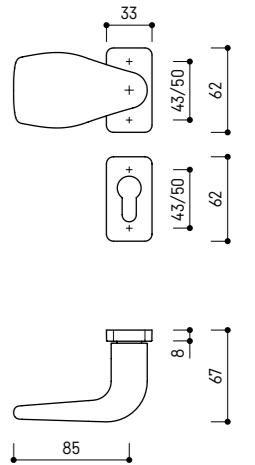
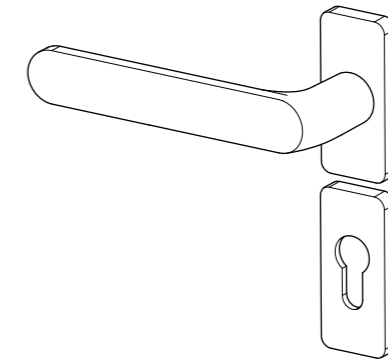
ARCO

design Leo De Carlo

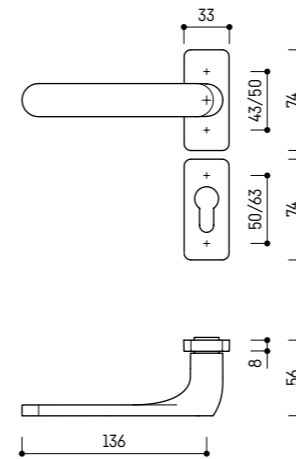


MANIGLIA PER PORTE ESTERNE - SUPPORTO 33x74x8mm_EXTERNAL DOORS HANDLE - SUPPORT 33x74x8mm

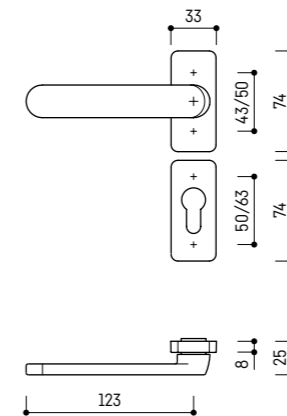
CARATTERISTICHE_FEATURES				FISSAGGIO_FIXING				FINITURE_FINISHES				OPZIONI_OPTIONS						



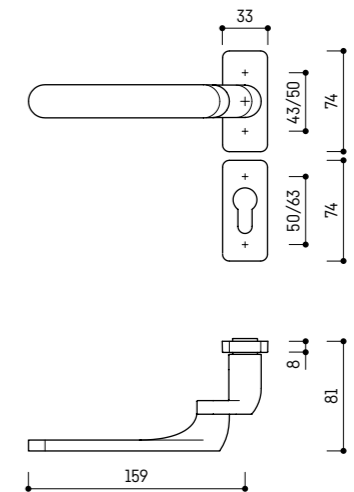
LOFT KNOB (FIXED)



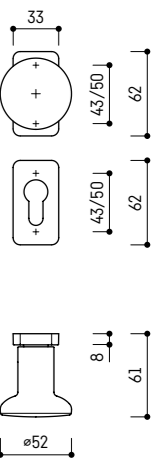
STANDARD



REDUCED



OFFSET



ROUND KNOB (FIXED)

VERSIONI DISPONIBILI_AVAILABLE VERSIONS

CAPITOLATO_SPECIFICATION

Per una descrizione dettagliata di tutte le specifiche tecniche presenti nel prodotto, da impiegare nei capitolati o nelle offerte pubbliche, fate riferimento alla sezione CAPITOLATI. For a detailed description of all the technical informations contained in the product, to be used in the specifications or in public tenders, please refer to the SPECIFICATIONS section.

NORMA EN 1906_EN 1906 NORM

4 | 7 | - | 0 | 0 | 5 | 0 | B

ARCO

design Leo De Carlo



ALU

Supporto_Support

33x74x8mm

Table of ARCO ALU 33x74x8mm products. Columns include icons for design variants, size, color codes (RAL 9005, 9006, 9010, 7016, 7035, 8003, 1015, 8717, 8718), and material options (F1, F2, ENOX, etc.). Rows list various part numbers and their specifications.

Opzioni_Options

IRON

Supporto_Support

Ferro uscita emergenza EN-179_Emergency exit EN-179 spindle

Table of ARCO IRON EN-179 emergency exit spindles. Columns include size, color codes (RAL 9005, 9006, 9010, 7016, 7035, 8003, 1015, 8717, 8718), and material options. Rows list part numbers and their specifications.

Opzioni_Options

IRON

Supporto_Support

Ferro standard_Standard spindle

Table of ARCO IRON standard spindles. Columns include size, color codes (RAL 9005, 9006, 9010, 7016, 7035, 8003, 1015, 8717, 8718), and material options. Rows list part numbers and their specifications.

Opzioni_Options

IRON

Supporto_Support

1/2 ferro ancora 1/2 anchor spindle

Table of ARCO IRON 1/2 anchor spindles. Columns include size, color codes (RAL 9005, 9006, 9010, 7016, 7035, 8003, 1015, 8717, 8718), and material options. Rows list part numbers and their specifications.

LOFT pomolo fisso_fixed knob

design Leo De Carlo



ALU

Supporto_Support

33x74x8mm

Table of ARCO LOFT pomolo fisso fixed knobs. Columns include size, color codes (RAL 9005, 9006, 9010, 7016, 7035, 8003, 1015, 8717, 8718), and material options. Rows list part numbers and their specifications.

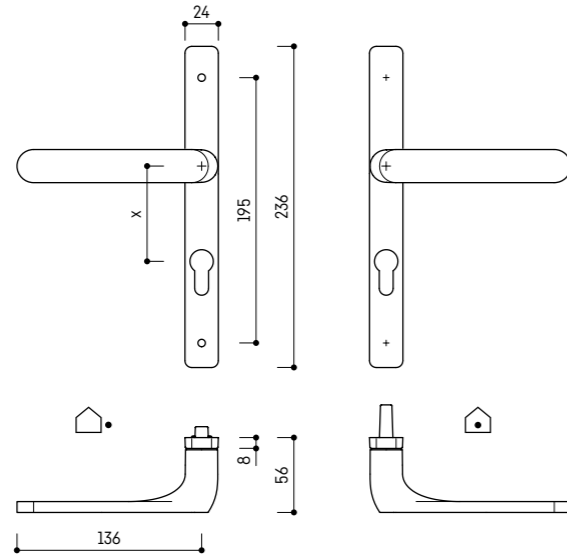
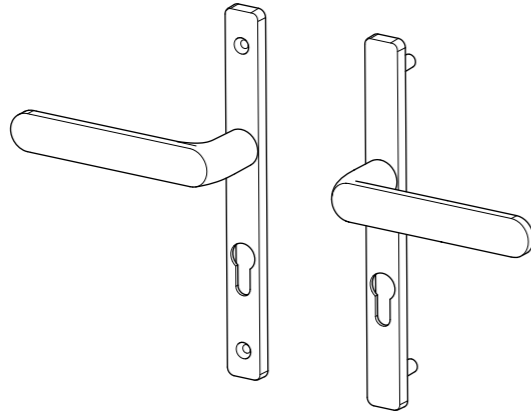
ARCO

design Leo De Carlo



SET PLACCA - SUPPORTO 24x235x8mm PLATE SET - SUPPORT 24x235x8mm

CARATTERISTICHE_FEATURES				FISSAGGIO_FIXING				FINITURE_FINISHES				OPZIONI_OPTIONS				



ARCO

design Leo De Carlo



ALU

Supporto_Support

24x235x8mm

											●				● ●								
											F1	FP	EN0X	RAL 9005 GLOSS 6A BLACK	RAL 9006 GLOSS 85% WHITE SIGNAL	RAL 9010 GLOSS 85% PURE WHITE	BIO* WHITE	BIO* NOIR	RAL 7016 GLOSS 85% ANTHRACITE	RAL 7035 GLOSS 85% LIGHT GREY	RAL 8003 GLOSS 85% CLAY BROWN	RAL 1015 GLOSS 85% IVORY	RAL 8717 GLOSS 85% DARK BROWN
8/130				40-60	M5x35 M5x65	195	ø10	92	24	1	19976001	●	●	●	●	●	●	●	●	●	●	●	●
8/150				60-80	M5x55 M5x85	195	ø10	92	24	1	19976002	●	●	●	●	●	●	●	●	●	●	●	●
8/130				40-60	M5x35 M5x65	195	ø10	85	24	1	19976003	●	●	●	●	●	●	●	●	●	●	●	●
8/150				60-80	M5x55 M5x85	195	ø10	85	24	1	19976004	●	●	●	●	●	●	●	●	●	●	●	●
7/130				40-60	M5x35 M5x65	195	ø10	70	24	1	19976005	●	●	●	●	●	●	●	●	●	●	●	●
7/150				60-80	M5x55 M5x85	195	ø10	70	24	1	19976006	●	●	●	●	●	●	●	●	●	●	●	●

VERSIONI DISPONIBILI_AVAILABLE VERSIONS

CAPITOLATO_SPECIFICATION



Per una descrizione dettagliata di tutte le specifiche tecniche presenti nel prodotto, da impiegare nei capitolati o nelle offerte pubbliche, fate riferimento alla sezione CAPITOLATI for a detailed description of all the technical informations contained in the product, to be used in the specifications or in public tenders, please refer to the SPECIFICATIONS section.

NORMA EN 1906_EN 1906 NORM

4 | 7 | - | 0 | 0 | 5 | 0 | B

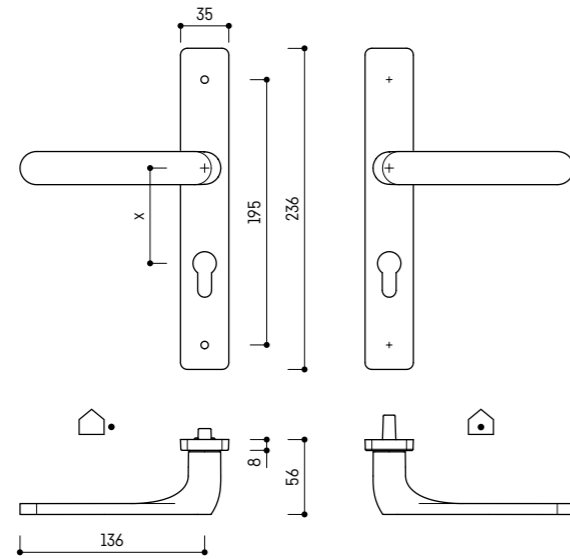
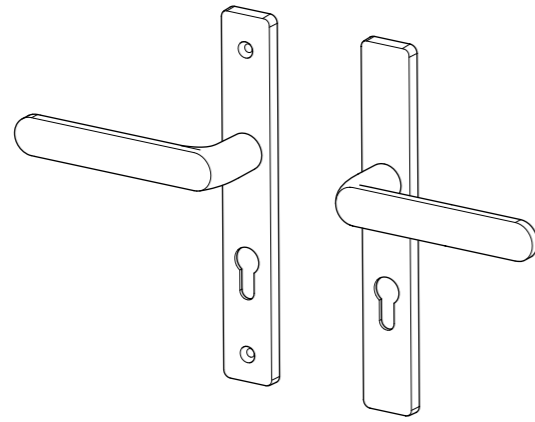
ARCO

design Leo De Carlo



SET PLACCA - SUPPORTO 35x235x8mm PLATE SET - SUPPORT 35x235x8mm

CARATTERISTICHE_FEATURES				FISSAGGIO_FIXING				FINITURE_FINISHES				OPZIONI_OPTIONS				



ARCO

design Leo De Carlo



ALU

Supporto_Support

35x235x8mm

											●				● ●									
											F1	FP	EN0X	RAL 9005 GLOSS 65% BLACK	RAL 9006 GLOSS 85% WHITE SIGNAL	RAL 9010 GLOSS 85% PURE WHITE	BIO* WHITE	BIO* NOIR	RAL 7016 GLOSS 85% ANTHRACITE	RAL 7035 GLOSS 85% LIGHT GREY	RAL 8003 GLOSS 85% CLAY BROWN	RAL 1015 GLOSS 85% IVORY	RAL 8717 GLOSS 85% DARK BROWN	
				40-60	M5x35 M5x65	195	ø10	92	24	1	19975001	●	●	●	●	●	●	●	●	●	●	●	●	
				60-80	M5x55 M5x85	195	ø10	92	24	1	19975002	●	●	●	●	●	●	●	●	●	●	●	●	●
				40-60	M5x35 M5x65	195	ø10	85	24	1	19975003	●	●	●	●	●	●	●	●	●	●	●	●	●
				60-80	M5x55 M5x85	195	ø10	85	24	1	19975004	●	●	●	●	●	●	●	●	●	●	●	●	●
				40-60	M5x35 M5x65	195	ø10	70	24	1	19975005	●	●	●	●	●	●	●	●	●	●	●	●	●
				60-80	M5x55 M5x85	195	ø10	70	24	1	19975006	●	●	●	●	●	●	●	●	●	●	●	●	●

VERSIONI DISPONIBILI_AVAILABLE VERSIONS

CAPITOLATO_SPECIFICATION



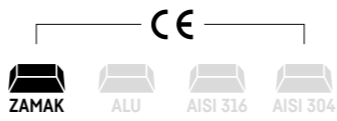
Per una descrizione dettagliata di tutte le specifiche tecniche presenti nel prodotto, da impiegare nei capitolati o nelle offerte pubbliche, fate riferimento alla sezione CAPITOLATI for a detailed description of all the technical informations contained in the product, to be used in the specifications or in public tenders, please refer to the SPECIFICATIONS section.

NORMA EN 1906_EN 1906 NORM

4 | 7 | - | 0 | 0 | 5 | 0 | B

ARCO SAFETY

design Leo De Carlo



ARCO SAFETY

design Leo De Carlo



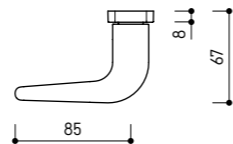
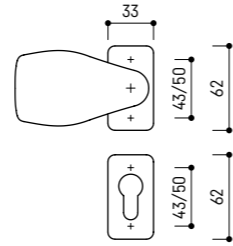
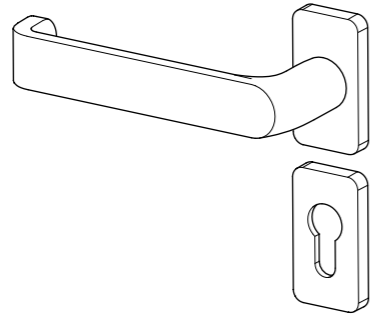
ZAMAK

Supporto_Support

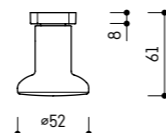
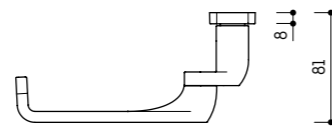
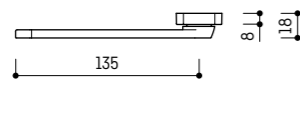
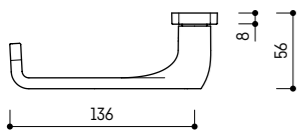
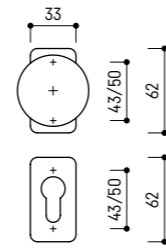
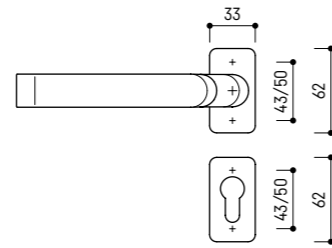
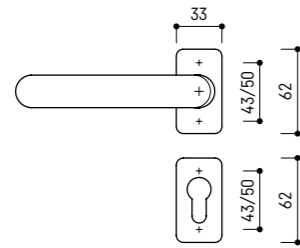
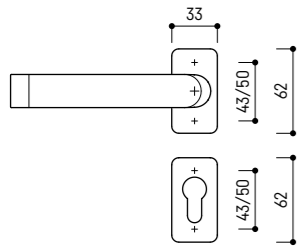
33x60x8mm

MANIGLIA PER PORTE ESTERNE - SUPPORTO 33x60x8mm_EXTERNAL DOORS HANDLE - SUPPORT 33x60x8mm

CARATTERISTICHE_FEATURES				FISSAGGIO_FIXING				FINITURE_FINISHES				OPZIONI_OPTIONS							



LOFT KNOB (FIXED)



STANDARD

REDUCED

OFFSET

ROUND KNOB (FIXED)

VERSIONI DISPONIBILI_AVAILABLE VERSIONS

CAPITOLATO_SPECIFICATION

Per una descrizione dettagliata di tutte le specifiche tecniche presenti nel prodotto, da impiegare nei capitolati o nelle offerte pubbliche, fate riferimento alla sezione CAPITOLATI. For a detailed description of all the technical informations contained in the product, to be used in the specifications or in public tenders, please refer to the SPECIFICATIONS section.

NORMA EN 1906_EN 1906 NORM
4 | 7 | - | 0 | 0 | 5 | 0 | B

											L								L L				
											62	50	03	04	5B	08	06	52	07	01	02	PLATINUM	BLACK PEARL
	8*				-	3,9x25	43/50	-	-	24	1	17870001	-	-	●	●	●	●	-	-	●	●	●
	7*				-	3,9x25	43/50	-	-	24	1	17870002	-	-	●	●	●	●	-	-	●	●	●
	8*				-	3,9x25	43/50	-	-	24	1	17878001	-	-	●	●	●	●	-	-	●	●	●
	7*				-	3,9x25	43/50	-	-	24	1	17878002	-	-	●	●	●	●	-	-	●	●	●
	8/170				60-90	3,9x25	43/50	-	-	24	1	17870003	-	-	●	●	●	●	-	-	●	●	●
	7/170				60-90	3,9x25	43/50	-	-	24	1	17870005	-	-	●	●	●	●	-	-	●	●	●
	8/170				60-90	3,9x25	43/50	-	-	24	1	17878003	-	-	●	●	●	●	-	-	●	●	●
	7/170				60-90	3,9x25	43/50	-	-	24	1	17878005	-	-	●	●	●	●	-	-	●	●	●
	8/170				60-90	3,9x25	43/50	-	-	24	1	17870004	-	-	●	●	●	●	-	-	●	●	●
	7/170				60-90	3,9x25	43/50	-	-	24	1	17870006	-	-	●	●	●	●	-	-	●	●	●
	8/170				60-90	3,9x25	43/50	-	-	24	1	17878004	-	-	●	●	●	●	-	-	●	●	●
	7/170				60-90	3,9x25	43/50	-	-	24	1	17878006	-	-	●	●	●	●	-	-	●	●	●
	-	-		-	3,9x25	43/50	-	-	24	4	06525139	-	-	●	●	●	●	●	-	-	●	●	●
	8/110				45-60	3,9x25	43/50	-	-	12	1	19470001	-	-	●	●	●	●	●	-	●	●	-
	8/125				60-75	3,9x25	43/50	-	-	12	1	19470002	-	-	●	●	●	●	●	-	●	●	-
	8/140				75-90	3,9x25	43/50	-	-	12	1	19470003	-	-	●	●	●	●	●	-	●	●	-
	8/110				45-60	3,9x25	43/50	-	-	12	1	19478001	-	-	●	●	●	●	●	-	●	●	-
	8/125				60-75	3,9x25	43/50	-	-	12	1	19478002	-	-	●	●	●	●	●	-	●	●	-
	8/140				75-90	3,9x25	43/50	-	-	12	1	19478003	-	-	●	●	●	●	●	-	●	●	-
	7/110				45-60	3,9x25	43/50	-	-	12	1	19470004	-	-	●	●	●	●	●	-	●	●	-
	7/125				60-75	3,9x25	43/50	-	-	12	1	19470005	-	-	●	●	●	●	●	-	●	●	-
7/140				75-90	3,9x25	43/50	-	-	12	1	19470006	-	-	●	●	●	●	●	-	●	●	-	
7/110				45-60	3,9x25	43/50	-	-	12	1	19478004	-	-	●	●	●	●	●	-	●	●	-	

ROUND pomolo fisso_fixed knob

design Leo De Carlo



ZAMAK

Supporto_Support

33x60x8mm

7* or 8*	CLAG	-	-	3,9x25	43/50	-	-	12	1	19670001	MECHANISM										
											62	50	03	04	5B	08	06	52	07	01	02
											PLATINUM	BLACK PEARL	PLATINUM	BLACK PEARL	COPPER PEARL	NOIR PEARL	ANTIQUE GOLD	COPPER SHINING	CRYSTAL SHINING	GOLD SHINING	WHITE PEARL

Opzioni_Options

IRON

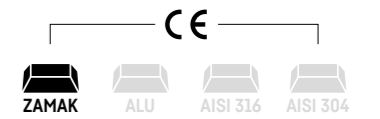
Supporto_Support

1/2 ferro per pomolo fisso_1/2 fixed knob spindle

7/90	CLAG	-	45-55	-	-	-	-	10	8	06727507	MECHANISM
7/100	CLAG	-	50-65	-	-	-	-	10	8	06727508	26
7/110	CLAG	-	60-75	-	-	-	-	10	8	06727509	
7/120	CLAG	-	70-85	-	-	-	-	10	8	06727510	
7/130	CLAG	-	80-95	-	-	-	-	10	8	06727551	
7/140	CLAG	-	90-105	-	-	-	-	10	8	06727552	
8/90	CLAG	-	45-55	-	-	-	-	10	8	06727503	
8/100	CLAG	-	50-65	-	-	-	-	10	8	06727504	
8/110	CLAG	-	60-75	-	-	-	-	10	8	06727505	
8/120	CLAG	-	70-85	-	-	-	-	10	8	06727506	
8/130	CLAG	-	80-95	-	-	-	-	10	8	06727549	
8/140	CLAG	-	90-105	-	-	-	-	10	8	06727550	

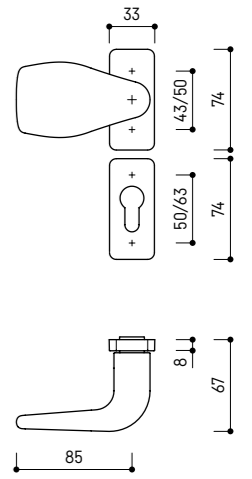
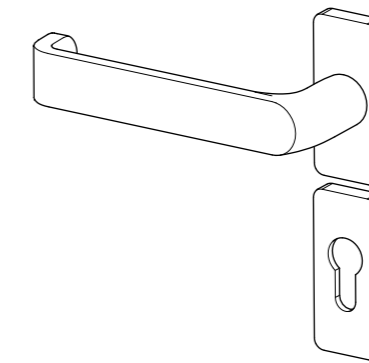
ARCO SAFETY

design Leo De Carlo

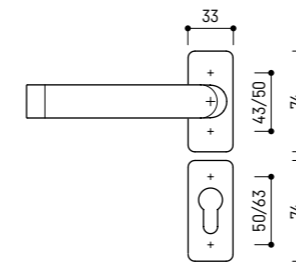


MANIGLIA PER PORTE ESTERNE - SUPPORTO 33x74x8mm_EXTERNAL DOORS HANDLE - SUPPORT 33x74x8mm

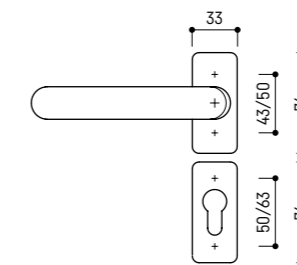
CARATTERISTICHE_FEATURES				FISSAGGIO_FIXING				FINITURE_FINISHES					OPZIONI_OPTIONS				
B	CLAG	R	W					CLASS 5	CLASS 5	CLASS 5	CLASS 5	CLASS 5	PVD	+	REI-60	EN-179	IP-65



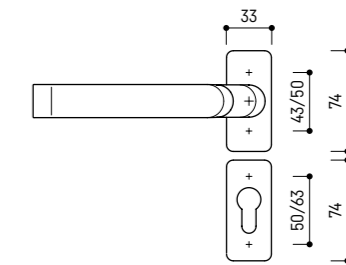
LOFT KNOB (FIXED)



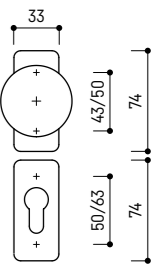
STANDARD



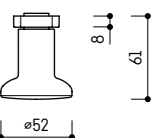
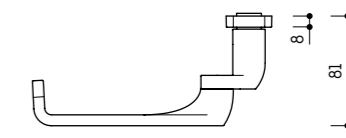
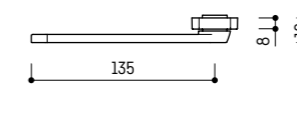
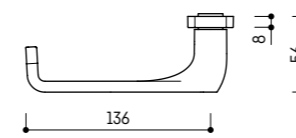
REDUCED



OFFSET



ROUND KNOB (FIXED)



VERSIONI DISPONIBILI_AVAILABLE VERSIONS

CAPITOLATO_SPECIFICATION

Per una descrizione dettagliata di tutte le specifiche tecniche presenti nel prodotto, da impiegare nei capitolati o nelle offerte pubbliche, fate riferimento alla sezione CAPITOLATI. For a detailed description of all the technical informations contained in the product, to be used in the specifications or in public tenders, please refer to the SPECIFICATIONS section.

NORMA EN 1906_EN 1906 NORM

4 | 7 | - | 0 | 0 | 5 | 0 | B

ROUND pomolo fisso_fixed knob

design Leo De Carlo

ZAMAK

33x74x8mm

Supporto_Support

	7*or 8*							12	1	19604001	●						● ●			
											PLATINUM 62	BLACK PEARL 50	PLATINUM 03	BLACK PEARL 04	COPPER PEARL 58	NOIR PEARL 08	ANTIQUE GOLD 06	COPPER SHINING 52	CRYSTAL SHINING 07	GOLD SHINING 01

Opzioni_Options

IRON

Supporto_Support

1/2 ferro per pomolo fisso_1/2 fixed knob spindle

	7/90							10	8	06727507	●						●			
											MECHANISM 26									

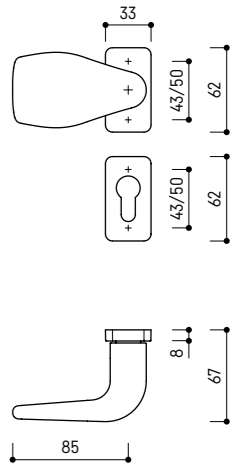
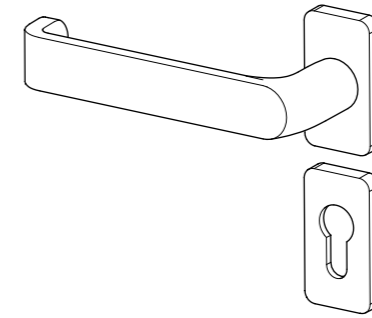
ARCO SAFETY

design Leo De Carlo

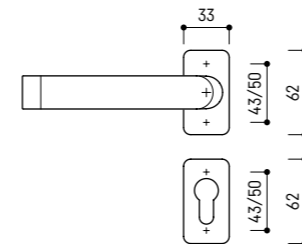


MANIGLIA PER PORTE ESTERNE - SUPPORTO 33x60x8mm_EXTERNAL DOORS HANDLE - SUPPORT 33x60x8mm

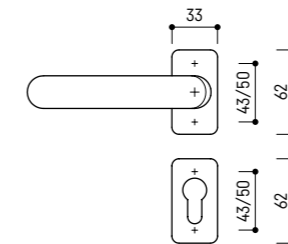
CARATTERISTICHE_FEATURES				FISSAGGIO_FIXING				FINITURE_FINISHES				OPZIONI_OPTIONS					



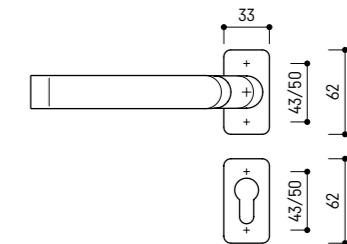
LOFT KNOB (FIXED)



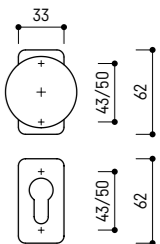
STANDARD



REDUCED



OFFSET



ROUND KNOB (FIXED)

VERSIONI DISPONIBILI_AVAILABLE VERSIONS

CAPITOLATO_SPECIFICATION



Per una descrizione dettagliata di tutte le specifiche tecniche presenti nel prodotto, da impiegare nei capitolati o nelle offerte pubbliche, fate riferimento alla sezione CAPITOLATI. For a detailed description of all the technical informations contained in the product, to be used in the specifications or in public tenders, please refer to the SPECIFICATIONS section.

NORMA EN 1906_EN 1906 NORM
4 | 7 | - | 0 | 0 | 5 | 0 | B

Opzioni_Options -



ALU

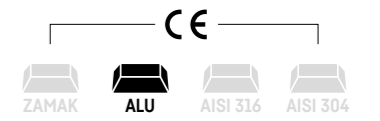
Supporto_Support

Maniglia singola offset_Offset single handle

8		-	-	-	-	-	-	24	4	18950001	FI FP ENOX RAL 9005 GLOSS 6% BLACK RAL 9006 GLOSS 85% WHITE SIGNAL RAL 9010 GLOSS 85% PURE WHITE RAL 9016 GLOSS 85% WHITE RAL 9004 GLOSS 85% NOIR RAL 7016 GLOSS 85% ANTHRACITE RAL 7035 GLOSS 85% LIGHT GREY RAL 8003 GLOSS 85% CLAY BROWN RAL 1015 GLOSS 85% HONEY RAL 8717 GLOSS 85% DARK BROWN
---	--	---	---	---	---	---	---	----	---	----------	--

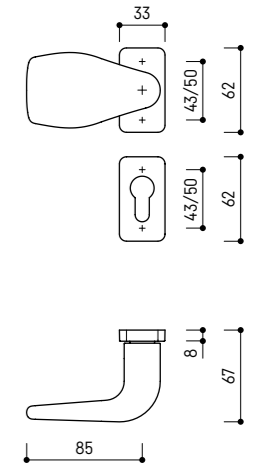
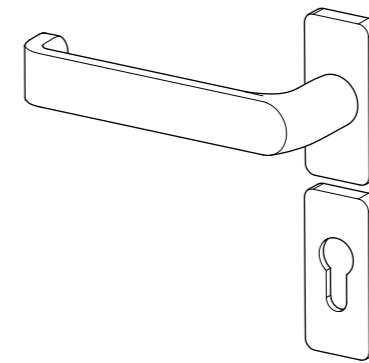
ARCO SAFETY

design Leo De Carlo

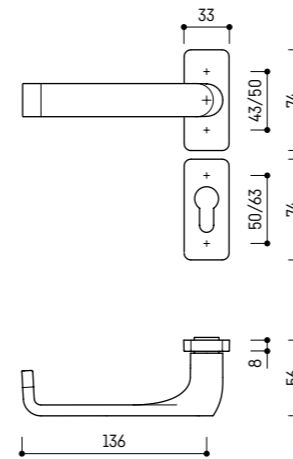


MANIGLIA PER PORTE ESTERNE - SUPPORTO 33x74x8mm_EXTERNAL DOORS HANDLE - SUPPORT 33x74x8mm

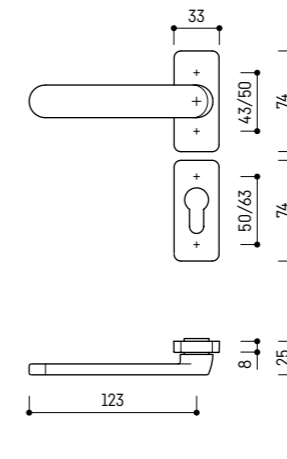
CARATTERISTICHE_FEATURES				FISSAGGIO_FIXING				FINITURE_FINISHES				OPZIONI_OPTIONS						



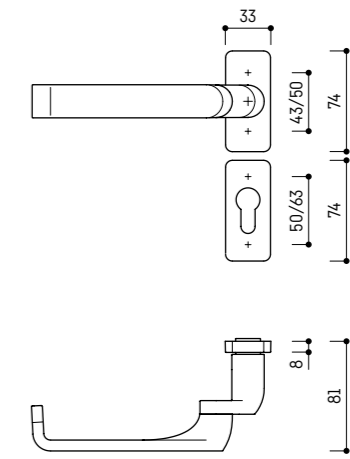
LOFT KNOB (FIXED)



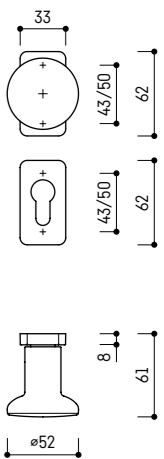
STANDARD



REDUCED



OFFSET



ROUND KNOB (FIXED)

VERSIONI DISPONIBILI_AVAILABLE VERSIONS

CAPITOLATO_SPECIFICATION

Per una descrizione dettagliata di tutte le specifiche tecniche presenti nel prodotto, da impiegare nei capitolati o nelle offerte pubbliche, fate riferimento alla sezione CAPITOLATI. For a detailed description of all the technical informations contained in the product, to be used in the specifications or in public tenders, please refer to the SPECIFICATIONS section.

NORMA EN 1906_EN 1906 NORM
4 | 7 | - | 0 | 0 | 5 | 0 | B

ROUND pomolo fisso_fixed knob

design Leo De Carlo



Supporto_Support

ALU

33x74x8mm

												L									L L					
												F1	F2	ENDX	RAL 9005 GLOSS 6% BLACK	RAL 9004 GLOSS 85% WHITE SIGNAL	RAL 9001 GLOSS 85% PURE WHITE	BODY* WHITE	BODY* NOIR	RAL 7014 GLOSS 85% ANTHRACITE	RAL 7035 GLOSS 85% LIGHT GREY	RAL 8003 GLOSS 85% CLAY BROWN	RAL 1015 GLOSS 85% IVORY	RAL 8707 GLOSS 85% DARK BROWN		
												97	4B	77	33	22	67	02	04	78	82	80	81	96		
	7* or 8*																									
					3,9x25			43/50																		

Opzioni_Options

-



IRON

Supporto_Support

1/2 ferro per pomolo fisso_1/2 fixed knob spindle

												L														
												MECHANISM 26														
	7/90																									
					45-55																					

Opzioni_Options

-



ALU

Supporto_Support

Maniglia singola_Single handle

												L									L L					
												F1	F2	ENDX	RAL 9005 GLOSS 6% BLACK	RAL 9004 GLOSS 85% WHITE SIGNAL	RAL 9001 GLOSS 85% PURE WHITE	BODY* WHITE	BODY* NOIR	RAL 7014 GLOSS 85% ANTHRACITE	RAL 7035 GLOSS 85% LIGHT GREY	RAL 8003 GLOSS 85% CLAY BROWN	RAL 1015 GLOSS 85% IVORY	RAL 8707 GLOSS 85% DARK BROWN		
												97	4B	77	33	22	67	02	04	78	82	80	81	96		
	7																									

Opzioni_Options

-



ALU

Supporto_Support

Maniglia singola offset_Offset single handle

												L									L L					
												F1	F2	ENDX	RAL 9005 GLOSS 6% BLACK	RAL 9004 GLOSS 85% WHITE SIGNAL	RAL 9001 GLOSS 85% PURE WHITE	BODY* WHITE	BODY* NOIR	RAL 7014 GLOSS 85% ANTHRACITE	RAL 7035 GLOSS 85% LIGHT GREY	RAL 8003 GLOSS 85% CLAY BROWN	RAL 1015 GLOSS 85% IVORY	RAL 8707 GLOSS 85% DARK BROWN		
												97	4B	77	33	22	67	02	04	78	82	80	81	96		
	8																									

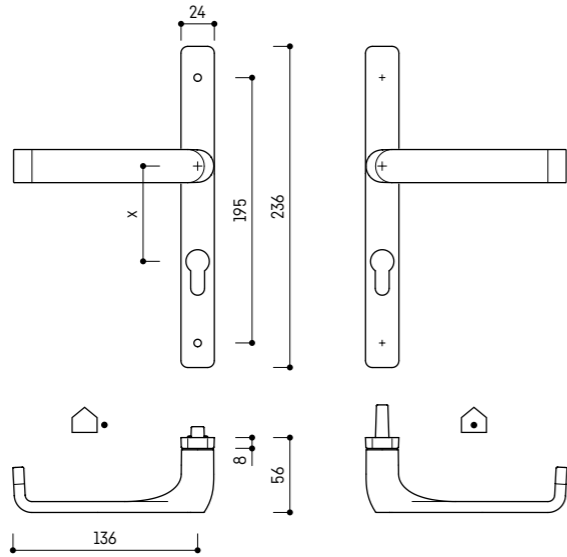
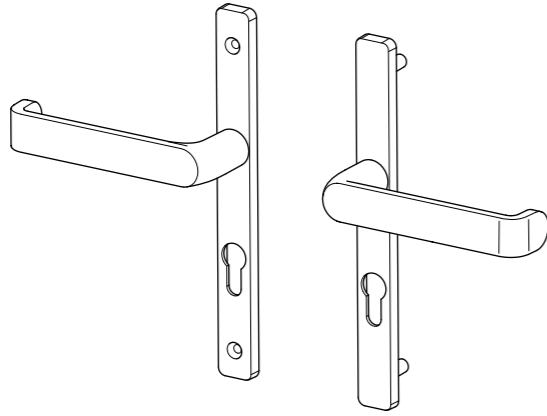
ARCO SAFETY

design Leo De Carlo



SET PLACCA - SUPPORTO 24x235x8mm PLATE SET - SUPPORT 24x235x8mm

CARATTERISTICHE_FEATURES				FISSAGGIO_FIXING				FINITURE_FINISHES				OPZIONI_OPTIONS					



ARCO SAFETY

design Leo De Carlo



ALU

Supporto_Support

24x235x8mm

											L				L L													
											F1	FP	ENIX	RAL 9005 GLOSS 65% BLACK	RAL 9006 GLOSS 85% WHITE SIGNAL	RAL 9010 GLOSS 85% PURE WHITE	BIO* WHITE	BIO* NOIR	RAL 7016 GLOSS 85% ANTHRACITE	RAL 7035 GLOSS 85% LIGHT GREY	RAL 8003 GLOSS 85% CLAY BROWN	RAL 1015 GLOSS 85% IVORY	RAL 8717 GLOSS 85% DARK BROWN					
8/130				40-60	M5x35 M5x65	195	ø10	92	24	1	18076001	<input checked="" type="checkbox"/>	<input checked="" type="checkbox"/>	<input checked="" type="checkbox"/>	<input checked="" type="checkbox"/>	<input checked="" type="checkbox"/>	<input checked="" type="checkbox"/>	<input checked="" type="checkbox"/>	<input checked="" type="checkbox"/>	<input checked="" type="checkbox"/>	<input checked="" type="checkbox"/>	<input checked="" type="checkbox"/>	<input checked="" type="checkbox"/>	<input checked="" type="checkbox"/>	<input checked="" type="checkbox"/>	<input checked="" type="checkbox"/>		
8/150				60-80	M5x55 M5x85	195	ø10	92	24	1	18076002	<input checked="" type="checkbox"/>	<input checked="" type="checkbox"/>	<input checked="" type="checkbox"/>	<input checked="" type="checkbox"/>	<input checked="" type="checkbox"/>	<input checked="" type="checkbox"/>	<input checked="" type="checkbox"/>	<input checked="" type="checkbox"/>	<input checked="" type="checkbox"/>	<input checked="" type="checkbox"/>	<input checked="" type="checkbox"/>	<input checked="" type="checkbox"/>	<input checked="" type="checkbox"/>	<input checked="" type="checkbox"/>	<input checked="" type="checkbox"/>	<input checked="" type="checkbox"/>	
8/130				40-60	M5x35 M5x65	195	ø10	85	24	1	18076003	<input checked="" type="checkbox"/>	<input checked="" type="checkbox"/>	<input checked="" type="checkbox"/>	<input checked="" type="checkbox"/>	<input checked="" type="checkbox"/>	<input checked="" type="checkbox"/>	<input checked="" type="checkbox"/>	<input checked="" type="checkbox"/>	<input checked="" type="checkbox"/>	<input checked="" type="checkbox"/>	<input checked="" type="checkbox"/>	<input checked="" type="checkbox"/>	<input checked="" type="checkbox"/>	<input checked="" type="checkbox"/>	<input checked="" type="checkbox"/>	<input checked="" type="checkbox"/>	
8/150				60-80	M5x55 M5x85	195	ø10	85	24	1	18076004	<input checked="" type="checkbox"/>	<input checked="" type="checkbox"/>	<input checked="" type="checkbox"/>	<input checked="" type="checkbox"/>	<input checked="" type="checkbox"/>	<input checked="" type="checkbox"/>	<input checked="" type="checkbox"/>	<input checked="" type="checkbox"/>	<input checked="" type="checkbox"/>	<input checked="" type="checkbox"/>	<input checked="" type="checkbox"/>	<input checked="" type="checkbox"/>	<input checked="" type="checkbox"/>	<input checked="" type="checkbox"/>	<input checked="" type="checkbox"/>	<input checked="" type="checkbox"/>	<input checked="" type="checkbox"/>
7/130				40-60	M5x35 M5x65	195	ø10	70	24	1	18076005	<input checked="" type="checkbox"/>	<input checked="" type="checkbox"/>	<input checked="" type="checkbox"/>	<input checked="" type="checkbox"/>	<input checked="" type="checkbox"/>	<input checked="" type="checkbox"/>	<input checked="" type="checkbox"/>	<input checked="" type="checkbox"/>	<input checked="" type="checkbox"/>	<input checked="" type="checkbox"/>	<input checked="" type="checkbox"/>	<input checked="" type="checkbox"/>	<input checked="" type="checkbox"/>	<input checked="" type="checkbox"/>	<input checked="" type="checkbox"/>	<input checked="" type="checkbox"/>	<input checked="" type="checkbox"/>
7/150				60-80	M5x55 M5x85	195	ø10	70	24	1	18076006	<input checked="" type="checkbox"/>	<input checked="" type="checkbox"/>	<input checked="" type="checkbox"/>	<input checked="" type="checkbox"/>	<input checked="" type="checkbox"/>	<input checked="" type="checkbox"/>	<input checked="" type="checkbox"/>	<input checked="" type="checkbox"/>	<input checked="" type="checkbox"/>	<input checked="" type="checkbox"/>	<input checked="" type="checkbox"/>	<input checked="" type="checkbox"/>	<input checked="" type="checkbox"/>	<input checked="" type="checkbox"/>	<input checked="" type="checkbox"/>	<input checked="" type="checkbox"/>	<input checked="" type="checkbox"/>

VERSIONI DISPONIBILI_AVAILABLE VERSIONS

--	--	--	--	--

CAPITOLATO_SPECIFICATION



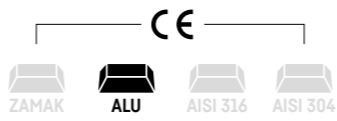
Per una descrizione dettagliata di tutte le specifiche tecniche presenti nel prodotto, da impiegare nei capitolati o nelle offerte pubbliche, fate riferimento alla sezione CAPITOLATI for a detailed description of all the technical informations contained in the product, to be used in the specifications or in public tenders, please refer to the SPECIFICATIONS section.

NORMA EN 1906_EN 1906 NORM

4 | 7 | - | 0 | 0 | 5 | 0 | B

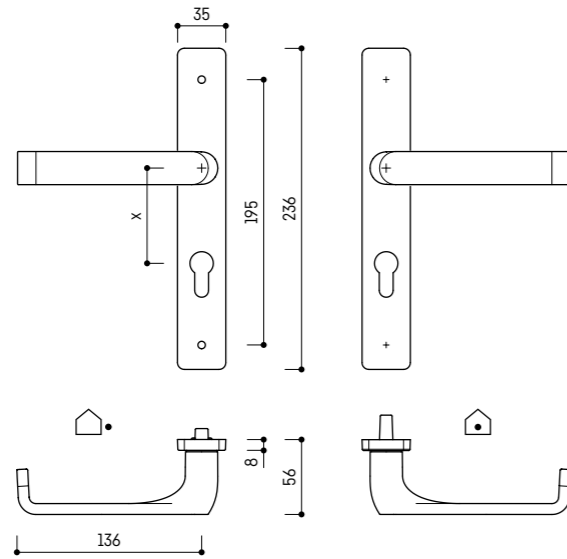
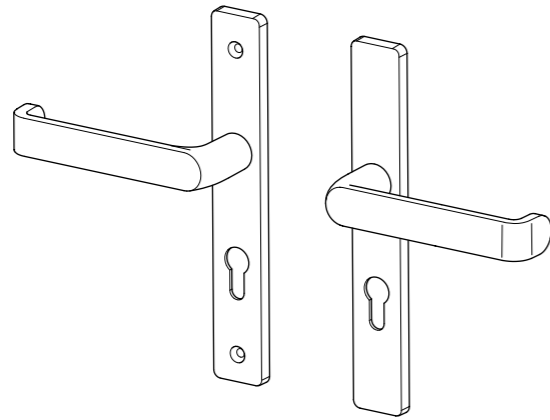
ARCO SAFETY

design Leo De Carlo



SET PLACCA - SUPPORTO 35x235x8mm_PLATE SET - SUPPORT 35x235x8mm

CARATTERISTICHE_FEATURES				FISSAGGIO_FIXING				FINITURE_FINISHES				OPZIONI_OPTIONS				



ARCO SAFETY

design Leo De Carlo



ALU

Supporto_Support

35x235x8mm

											●				● ●								
											F1	FP	EN0X	RAL 9005 GLOSS 65% BLACK	RAL 9006 GLOSS 85% WHITE SIGNAL	RAL 9010 GLOSS 85% PURE WHITE	BIO* WHITE	BIO* NOIR	RAL 7016 GLOSS 85% ANTHRACITE	RAL 7035 GLOSS 85% LIGHT GREY	RAL 8003 GLOSS 85% CLAY BROWN	RAL 1015 GLOSS 85% IVORY	RAL 8717 GLOSS 85% DARK BROWN
8/130				40-60	M5x35 M5x65	195	ø10	92	24	1	18075001	●	●	●	●	●	●	●	●	●	●	●	●
8/150				60-80	M5x55 M5x85	195	ø10	92	24	1	18075002	●	●	●	●	●	●	●	●	●	●	●	●
8/130				40-60	M5x35 M5x65	195	ø10	85	24	1	18075003	●	●	●	●	●	●	●	●	●	●	●	●
8/150				60-80	M5x55 M5x85	195	ø10	85	24	1	18075004	●	●	●	●	●	●	●	●	●	●	●	●
7/130				40-60	M5x35 M5x65	195	ø10	70	24	1	18075005	●	●	●	●	●	●	●	●	●	●	●	●
7/150				60-80	M5x55 M5x85	195	ø10	70	24	1	18075006	●	●	●	●	●	●	●	●	●	●	●	●

VERSIONI DISPONIBILI_AVAILABLE VERSIONS

CAPITOLATO_SPECIFICATION



Per una descrizione dettagliata di tutte le specifiche tecniche presenti nel prodotto, da impiegare nei capitolati o nelle offerte pubbliche, fate riferimento alla sezione CAPITOLATI for a detailed description of all the technical informations contained in the product, to be used in the specifications or in public tenders, please refer to the SPECIFICATIONS section.

NORMA EN 1906_EN 1906 NORM

4 | 7 | - | 0 | 0 | 5 | 0 | B

ROUND pomolo fisso_fixed knob

design Leo De Carlo



ZAMAK

Supporto_Support

33x60x8mm

											L								L L							
											PLATINUM	BLACK PEARL	PLATINUM	BLACK PEARL	COPPER PEARL	NOIR PEARL	ANTIQUÉ GOLD	COPPER SHINING	CRYSTAL SHINING	GOLD SHINING	WHITE PEARL					
											62	50	03	04	5B	08	06	52	07	01	02					
7* or 8*	CLAG			3,9x25	43/50			12	1	19670001																

Opzioni_Options

-



IRON

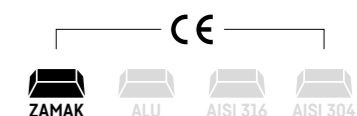
Supporto_Support

1/2 ferro per pomolo fisso_1/2 fixed knob spindle

											L													
											MECHANISM													
											26													
7/90	CLAG		45-55					10	8	06727507														
7/100	CLAG		50-65					10	8	06727508														
7/110	CLAG		60-75					10	8	06727509														
7/120	CLAG		70-85					10	8	06727510														
7/130	CLAG		80-95					10	8	06727551														
7/140	CLAG		90-105					10	8	06727552														
8/90	CLAG		45-55					10	8	06727503														
8/100	CLAG		50-65					10	8	06727504														
8/110	CLAG		60-75					10	8	06727505														
8/120	CLAG		70-85					10	8	06727506														
8/130	CLAG		80-95					10	8	06727549														
8/140	CLAG		90-105					10	8	06727550														

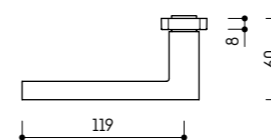
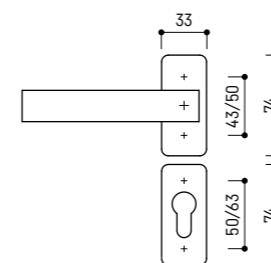
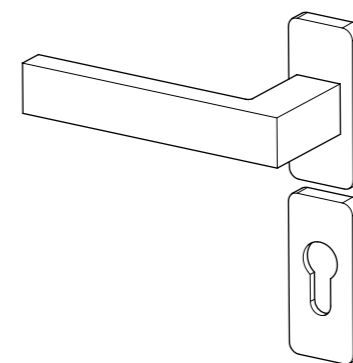
QUADRA

design Ufficio Tecnico Opentech

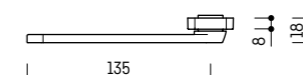
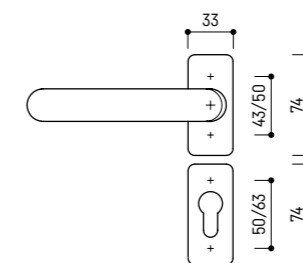


MANIGLIA PER PORTE ESTERNE - SUPPORTO 33x74x8mm_EXTERNAL DOORS HANDLE - SUPPORT 33x74x8mm

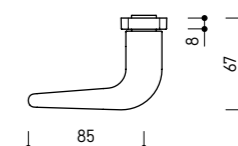
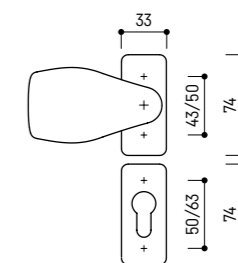
CARATTERISTICHE_FEATURES				FISSAGGIO_FIXING				FINITURE_FINISHES						OPZIONI_OPTIONS											
B	CLAG	R	W					304	316			PVD													
								CLASS 5		CLASS 5		CLASS 5		CLASS 5		CLASS 5									



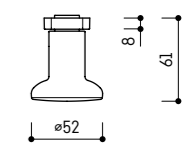
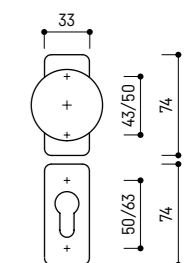
STANDARD



REDUCED



LOFT KNOB (FIXED)



ROUND KNOB (FIXED)

VERSIONI DISPONIBILI_AVAILABLE VERSIONS

CAPITOLATO_SPECIFICATION



Per una descrizione dettagliata di tutte le specifiche tecniche presenti nel prodotto, da impiegare nei capitolati o nelle offerte pubbliche, fate riferimento alla sezione CAPITOLATI for a detailed description of all the technical informations contained in the product, to be used in the specifications or in public tenders, please refer to the SPECIFICATIONS section.

NORMA EN 1906_EN 1906 NORM

4 | 7 | - | 0 | 0 | 5 | 0 | B

ROUND pomolo fisso_fixed knob

design Leo De Carlo



ZAMAK

Supporto_Support

33x74x8mm

Icone	7*or 8*	CLAG	-	-	3,9x25	43/50	-	-	12	1	19670001	FINITURE										
												62	50	03	04	58	08	06	52	07	01	02
												PLATINUM	BLACK PEARL	PLATINUM	BLACK PEARL	COPPER PEARL	NOIR PEARL	ANTIQUE GOLD	COPPER SHINING	CRYSTAL SHINING	GOLD SHINING	WHITE PEARL

Opzioni_Options

-



IRON

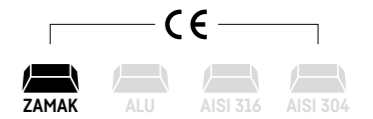
Supporto_Support

1/2 ferro per pomolo fisso_1/2 fixed knob spindle

Icone	7/90	CLAG	-	45-55	-	-	-	-	10	8	06727507	MECHANISM
	7/100	CLAG	-	50-65	-	-	-	-	10	8	06727508	●
	7/110	CLAG	-	60-75	-	-	-	-	10	8	06727509	●
	7/120	CLAG	-	70-85	-	-	-	-	10	8	06727510	●
	7/130	CLAG	-	80-95	-	-	-	-	10	8	06727551	●
	7/140	CLAG	-	90-105	-	-	-	-	10	8	06727552	●
	8/90	CLAG	-	45-55	-	-	-	-	10	8	06727503	●
	8/100	CLAG	-	50-65	-	-	-	-	10	8	06727504	●
	8/110	CLAG	-	60-75	-	-	-	-	10	8	06727505	●
	8/120	CLAG	-	70-85	-	-	-	-	10	8	06727506	●
	8/130	CLAG	-	80-95	-	-	-	-	10	8	06727549	●
	8/140	CLAG	-	90-105	-	-	-	-	10	8	06727550	●

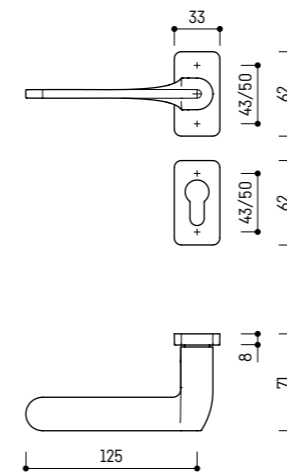
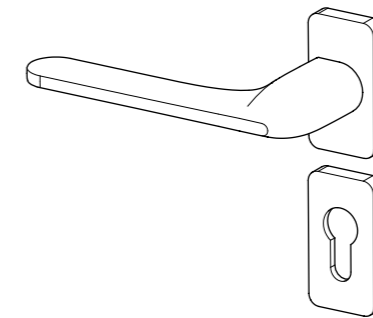
CLOE

design Leo De Carlo

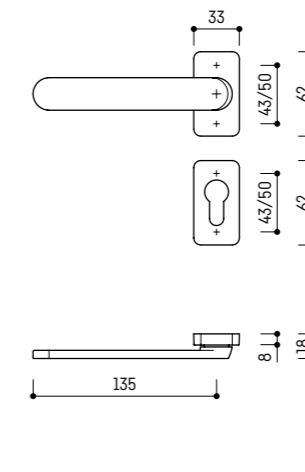


MANIGLIA PER PORTE ESTERNE - SUPPORTO 33x60x8mm_EXTERNAL DOORS HANDLE - SUPPORT 33x60x8mm

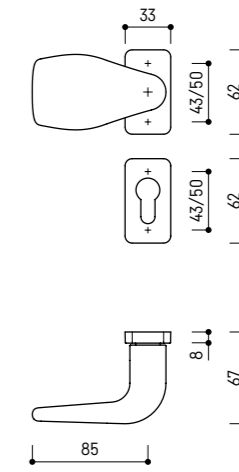
CARATTERISTICHE_FEATURES				FISSAGGIO_FIXING				FINITURE_FINISHES					OPZIONI_OPTIONS					
CLAG	R	W	+	+	+	+	+	304	316	CLASS 5	CLASS 5	CLASS 5	CLASS 5	CLASS 5	+	+	+	+



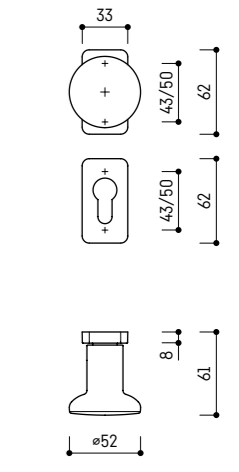
STANDARD



REDUCED



LOFT KNOB (FIXED)



ROUND KNOB (FIXED)

VERSIONI DISPONIBILI_AVAILABLE VERSIONS

CAPITOLATO_SPECIFICATION

Per una descrizione dettagliata di tutte le specifiche tecniche presenti nel prodotto, da impiegare nei capitolati o nelle offerte pubbliche, fate riferimento alla sezione CAPITOLATI for a detailed description of all the technical informations contained in the product, to be used in the specifications or in public tenders, please refer to the SPECIFICATIONS section.

NORMA EN 1906_EN 1906 NORM

4 | 7 | - | 0 | 0 | 5 | 0 | B

Opzioni_Options -



IRON

Supporto_Support

Ferro uscita emergenza EN-179_Emergency exit EN-179 spindle

EN-179	8-9-8/140	CLEAR	-	30-70	-	-	-	-	10	8	06727538	MECHANISM										
												26										
	8-9-8/150	CLEAR	-	40-80	-	-	-	-	10	8	06727540	●										
	8-9-8/160	CLEAR	-	50-90	-	-	-	-	10	8	06727542	●										
	8-9-8/180	CLEAR	-	70-110	-	-	-	-	10	8	06727546	●										
	8-9-8/185	CLEAR	-	75-115	-	-	-	-	10	8	06727547	●										
	8-9-8/195	CLEAR	-	85-125	-	-	-	-	10	8	06727548	●										

Opzioni_Options -



IRON

Supporto_Support

1/2 ferro ancora_1/2 anchor spindle

	8/60	CLEAR	-	-	-	-	-	-	10	8	06727462	MECHANISM										
												26										
	8/70	CLEAR	-	-	-	-	-	-	10	8	06727427	●										
	8/80	CLEAR	-	-	-	-	-	-	10	8	06727428	●										
	8/90	CLEAR	-	-	-	-	-	-	10	8	06727429	●										
	8/100	CLEAR	-	-	-	-	-	-	10	8	06727463	●										
	7/60	CLEAR	-	-	-	-	-	-	10	8	06727432	●										
	7/70	CLEAR	-	-	-	-	-	-	10	8	06727433	●										
	7/80	CLEAR	-	-	-	-	-	-	10	8	06727434	●										
	7/90	CLEAR	-	-	-	-	-	-	10	8	06727435	●										
	7/100	CLEAR	-	-	-	-	-	-	10	8	06727436	●										

LOFT pomolo fisso_fixed knob

design Leo De Carlo



ZAMAK

Supporto_Support

33x60x8mm

7* or 8*	CLEAR	-	3,9x25	43/50	-	-	12	1	17078001	MECHANISM											
										62	50	03	04	58	08	06	52	07	01	02	
										PLATINUM	BLACK PEARL	PLATINUM	BLACK PEARL	COPPER PEARL	NOIR PEARL	ANTIQUE GOLD	COPPER SHINING	CRYSTAL SHINING	GOLD SHINING	WHITE PEARL	
										●	●	●	●	●	●	●	●	●	●	●	●

ROUND pomolo fisso_fixed knob

design Leo De Carlo



ZAMAK

Supporto_Support

33x60x8mm

7* or 8*	CLEAR	-	3,9x25	43/50	-	-	12	1	19670001	MECHANISM											
										62	50	03	04	58	08	06	52	07	01	02	
										PLATINUM	BLACK PEARL	PLATINUM	BLACK PEARL	COPPER PEARL	NOIR PEARL	ANTIQUE GOLD	COPPER SHINING	CRYSTAL SHINING	GOLD SHINING	WHITE PEARL	
										●	●	●	●	●	●	●	●	●	●	●	●

Opzioni_Options -



IRON

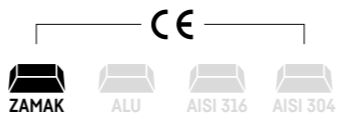
Supporto_Support

1/2 ferro per pomolo fisso_1/2 fixed knob spindle

7/90	CLEAR	-	45-55	-	-	-	-	10	8	06727507	MECHANISM											
											26											
	7/100	CLEAR	-	50-65	-	-	-	-	10	8	06727508	●										
	7/110	CLEAR	-	60-75	-	-	-	-	10	8	06727509	●										
	7/120	CLEAR	-	70-85	-	-	-	-	10	8	06727510	●										
	7/130	CLEAR	-	80-95	-	-	-	-	10	8	06727551	●										
	7/140	CLEAR	-	90-105	-	-	-	-	10	8	06727552	●										
	8/90	CLEAR	-	45-55	-	-	-	-	10	8	06727503	●										
	8/100	CLEAR	-	50-65	-	-	-	-	10	8	06727504	●										
	8/110	CLEAR	-	60-75	-	-	-	-	10	8	06727505	●										
	8/120	CLEAR	-	70-85	-	-	-	-	10	8	06727506	●										
	8/130	CLEAR	-	80-95	-	-	-	-	10	8	06727549	●										
	8/140	CLEAR	-	90-105	-	-	-	-	10	8	06727550	●										

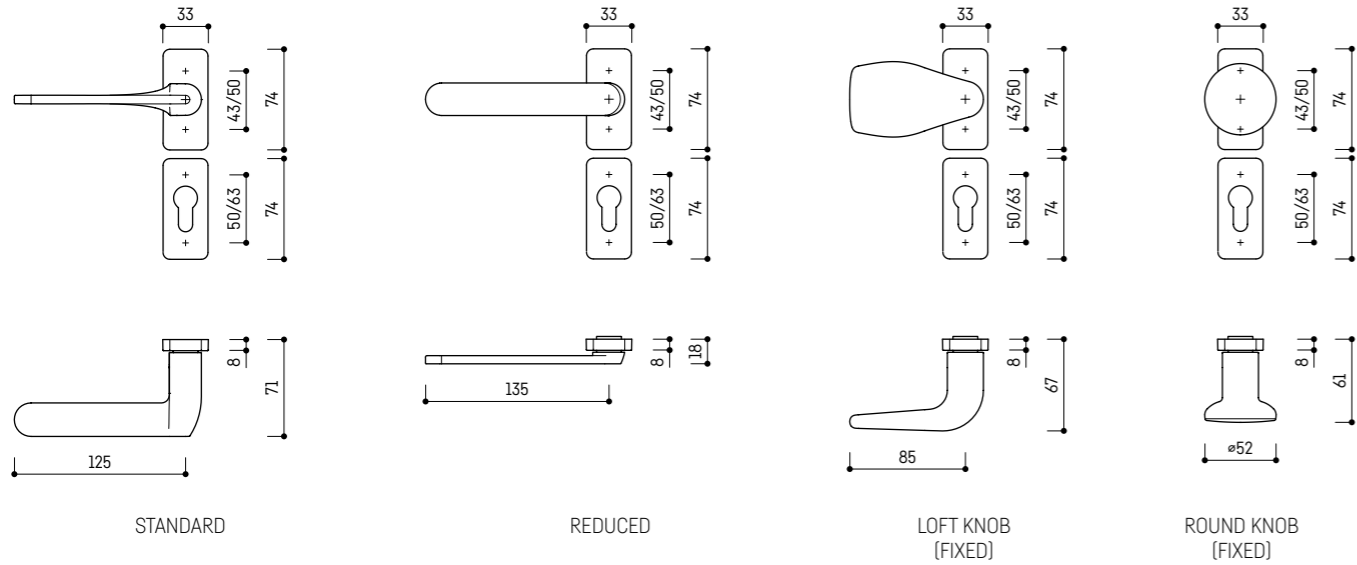
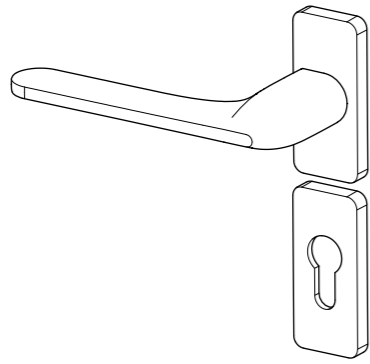
CLOE

design Leo De Carlo



MANIGLIA PER PORTE ESTERNE - SUPPORTO 33x74x8mm_EXTERNAL DOORS HANDLE - SUPPORT 33x74x8mm

CARATTERISTICHE_FEATURES				FISSAGGIO_FIXING				FINITURE_FINISHES				OPZIONI_OPTIONS						



VERSIONI DISPONIBILI_AVAILABLE VERSIONS

VERSIONI DISPONIBILI_AVAILABLE VERSIONS					CAPITOLATO_SPECIFICATION
					<p>Per una descrizione dettagliata di tutte le specifiche tecniche presenti nel prodotto, da impiegare nei capitolati o nelle offerte pubbliche, fate riferimento alla sezione CAPITOLATI. For a detailed description of all the technical informations contained in the product, to be used in the specifications or in public tenders, please refer to the SPECIFICATIONS section.</p> <p>NORMA EN 1906_EN 1906 NORM 4 7 - 0 0 5 0 B</p>

CLOE

design Leo De Carlo



ZAMAK

Supporto_Support

33x74x8mm

	■	+										●						● ●						
												62	50	03	04	58	08	06	52	07	01	02		
	8*				-	3,9x25	43/50	-	-	24	1	11704013	-	-	●	●	●	●	-	-	●	●	-	
	8/170				60-90	3,9x25	43/50	-	-	24	1	11704014	-	-	●	●	●	●	-	-	●	●	-	
	8/170				60-90	3,9x25	43/50 50/63	-	-	24	1	11704011	-	-	●	●	●	●	-	-	●	●	-	
	-	-	-		-	3,9x25	50/63	-	-	24	4	06525138	-	-	●	●	●	●	●	-	-	●	●	●
	8/110				45-60	3,9x25	43/50	-	-	12	1	19404001	-	-	●	●	●	●	●	-	-	●	●	-
	8/125				60-75	3,9x25	43/50	-	-	12	1	19404002	-	-	●	●	●	●	●	-	-	●	●	-
	8/140				75-90	3,9x25	43/50	-	-	12	1	19404003	-	-	●	●	●	●	●	-	-	●	●	-

Opzioni_Options

-



IRON

Supporto_Support

Ferro standard_Standard spindle

	■	+										●													
												MECHANISM 26													
	7/140		-	30-70	-	-	-	-	-	10	8	06727634	●	●	●	●	●	●	●	●	●	●	●	●	
	7/150		-	40-80	-	-	-	-	-	10	8	06727485	●	●	●	●	●	●	●	●	●	●	●	●	●
	7/160		-	50-90	-	-	-	-	-	10	8	06727635	●	●	●	●	●	●	●	●	●	●	●	●	●
	7/180		-	70-110	-	-	-	-	-	10	8	06727199	●	●	●	●	●	●	●	●	●	●	●	●	●
	7/185		-	75-115	-	-	-	-	-	10	8	06727200	●	●	●	●	●	●	●	●	●	●	●	●	●
	7/195		-	85-125	-	-	-	-	-	10	8	06727201	●	●	●	●	●	●	●	●	●	●	●	●	●
	8/140		-	30-70	-	-	-	-	-	10	8	06727422	●	●	●	●	●	●	●	●	●	●	●	●	●
	8/150		-	40-80	-	-	-	-	-	10	8	06727643	●	●	●	●	●	●	●	●	●	●	●	●	●
	8/160		-	50-90	-	-	-	-	-	10	8	06727996	●	●	●	●	●	●	●	●	●	●	●	●	●
	8/180		-	70-110	-	-	-	-	-	10	8	06727466	●	●	●	●	●	●	●	●	●	●	●	●	●
	8/185		-	75-115	-	-	-	-	-	10	8	06727499	●	●	●	●	●	●	●	●	●	●	●	●	●
	8/195		-	85-125	-	-	-	-	-	10	8	06727500	●	●	●	●	●	●	●	●	●	●	●	●	●

Opzioni_Options



IRON

Supporto_Support

Ferro uscita emergenza EN-179_Emergency exit EN-179 spindle

EN-179	8/140	CLEAR	-	30-70	-	-	-	-	10	8	06727522	MECHANISM	26											
													●											
	8/150	CLEAR	-	40-80	-	-	-	-	10	8	06727524	●	●											
	8/160	CLEAR	-	50-90	-	-	-	-	10	8	06727526	●	●											
	8/180	CLEAR	-	70-110	-	-	-	-	10	8	06727530	●	●											
	8/185	CLEAR	-	75-115	-	-	-	-	10	8	06727531	●	●											
	8/195	CLEAR	-	85-125	-	-	-	-	10	8	06727532	●	●											
	8-9-8/140	CLEAR	-	30-70	-	-	-	-	10	8	06727538	●	●											
	8-9-8/150	CLEAR	-	40-80	-	-	-	-	10	8	06727540	●	●											
	8-9-8/160	CLEAR	-	50-90	-	-	-	-	10	8	06727542	●	●											
	8-9-8/180	CLEAR	-	70-110	-	-	-	-	10	8	06727546	●	●											
	8-9-8/185	CLEAR	-	75-115	-	-	-	-	10	8	06727547	●	●											
	8-9-8/195	CLEAR	-	85-125	-	-	-	-	10	8	06727548	●	●											

Opzioni_Options



IRON

Supporto_Support

1/2 ferro ancora_1/2 anchor spindle

	8/60	CLEAR	-	-	-	-	-	-	10	8	06727462	MECHANISM	26											
													●											
	8/70	CLEAR	-	-	-	-	-	-	10	8	06727427	●	●											
	8/80	CLEAR	-	-	-	-	-	-	10	8	06727428	●	●											
	8/90	CLEAR	-	-	-	-	-	-	10	8	06727429	●	●											
	8/100	CLEAR	-	-	-	-	-	-	10	8	06727463	●	●											
	7/60	CLEAR	-	-	-	-	-	-	10	8	06727432	●	●											
	7/70	CLEAR	-	-	-	-	-	-	10	8	06727433	●	●											
	7/80	CLEAR	-	-	-	-	-	-	10	8	06727434	●	●											
	7/90	CLEAR	-	-	-	-	-	-	10	8	06727435	●	●											
	7/100	CLEAR	-	-	-	-	-	-	10	8	06727436	●	●											

LOFT pomolo fisso_fixed knob

design Leo De Carlo



ZAMAK

Supporto_Support

33x74x8mm

7* or 8*	CLEAR	-	-	3,9x25	43/50	-	-	12	1	17004001	26											
											62	50	03	04	58	08	06	52	07	01	02	
											PLATINUM	BLACK PEARL	PLATINUM	BLACK PEARL	COPPER PEARL	NOIR PEARL	ANTIQUÉ GOLD	COPPER SHINING	CRYSTAL SHINING	GOLD SHINING	WHITE PEARL	
											-	-	46,79	46,79	46,79	53,27	46,79	-	50,10	50,10	46,79	

ROUND pomolo fisso_fixed knob

design Leo De Carlo



ZAMAK

Supporto_Support

33x74x8mm

7* or 8*	CLEAR	-	-	3,9x25	43/50	-	-	12	1	19604001	26											
											62	50	03	04	58	08	06	52	07	01	02	
											PLATINUM	BLACK PEARL	PLATINUM	BLACK PEARL	COPPER PEARL	NOIR PEARL	ANTIQUÉ GOLD	COPPER SHINING	CRYSTAL SHINING	GOLD SHINING	WHITE PEARL	
											-	-	46,79	46,79	46,79	53,27	46,79	-	50,10	50,10	-	

Opzioni_Options



IRON

Supporto_Support

1/2 ferro per pomolo fisso_1/2 fixed knob spindle

7/90	CLEAR	-	-	45-55	-	-	-	-	10	8	06727507	MECHANISM	26											
													●											
	7/100	CLEAR	-	50-65	-	-	-	-	10	8	06727508	●	●											
	7/110	CLEAR	-	60-75	-	-	-	-	10	8	06727509	●	●											
	7/120	CLEAR	-	70-85	-	-	-	-	10	8	06727510	●	●											
	7/130	CLEAR	-	80-95	-	-	-	-	10	8	06727551	●	●											
	7/140	CLEAR	-	90-105	-	-	-	-	10	8	06727552	●	●											
	8/90	CLEAR	-	45-55	-	-	-	-	10	8	06727503	●	●											
	8/100	CLEAR	-	50-65	-	-	-	-	10	8	06727504	●	●											
	8/110	CLEAR	-	60-75	-	-	-	-	10	8	06727505	●	●											
	8/120	CLEAR	-	70-85	-	-	-	-	10	8	06727506	●	●											
	8/130	CLEAR	-	80-95	-	-	-	-	10	8	06727549	●	●											
	8/140	CLEAR	-	90-105	-	-	-	-	10	8	06727550	●	●											

SOFIA design Leo De Carlo

ZAMAK

Supporto_Support 33x60x8mm

7/125			60-75	3,9x25	43/50		12	1	19478005	PLATINUM	BLACK PEARL	PLATINUM	BLACK PEARL	COPPER PEARL	NOIR PEARL	ANTIQUE GOLD	COPPER SHINING	CRYSTAL SHINING	GOLD SHINING	WHITE PEARL
										62	50	03	04	58	08	06	52	07	01	02
										-	-	●	●	●	●	●	-	●	●	-
7/140			75-90	3,9x25	43/50		12	1	19478006	-	-	●	●	●	●	-	●	●	-	

Opzioni_Options

IRON

Supporto_Support Ferro standard_Standard spindle

7/140			30-70				10	8	06727634	MECHANISM
										26
7/150			40-80				10	8	06727485	●
7/160			50-90				10	8	06727635	●
7/180			70-110				10	8	06727199	●
7/185			75-115				10	8	06727200	●
7/195			85-125				10	8	06727201	●
8/140			30-70				10	8	06727422	●
8/150			40-80				10	8	06727643	●
8/160			50-90				10	8	06727996	●
8/180			70-110				10	8	06727466	●
8/185			75-115				10	8	06727499	●
8/195			85-125				10	8	06727500	●

Opzioni_Options

IRON

Supporto_Support Ferro uscita emergenza EN-179_Emergency exit EN-179 spindle

8/140			30-70				10	8	06727522	MECHANISM
										26
8/150			40-80				10	8	06727524	●
8/160			50-90				10	8	06727526	●
8/180			70-110				10	8	06727530	●
8/185			75-115				10	8	06727531	●
8/195			85-125				10	8	06727532	●

Opzioni_Options

IRON

Supporto_Support Ferro uscita emergenza EN-179_Emergency exit EN-179 spindle

8-9-8/140			30-70				10	8	06727538	MECHANISM
										26
8-9-8/150			40-80				10	8	06727540	●
8-9-8/160			50-90				10	8	06727542	●
8-9-8/180			70-110				10	8	06727546	●
8-9-8/185			75-115				10	8	06727547	●
8-9-8/195			85-125				10	8	06727548	●

Opzioni_Options

IRON

Supporto_Support 1/2 ferro ancora_1/2 anchor spindle

8/60							10	8	06727462	MECHANISM
										26
8/70							10	8	06727427	●
8/80							10	8	06727428	●
8/90							10	8	06727429	●
8/100							10	8	06727463	●
7/60							10	8	06727432	●
7/70							10	8	06727433	●
7/80							10	8	06727434	●
7/90							10	8	06727435	●
7/100							10	8	06727436	●

LOFT pomolo fisso_fixed knob design Leo De Carlo

ZAMAK

Supporto_Support 33x60x8mm

7" or 8"			3,9x25	43/50			12	1	17070001	PLATINUM	BLACK PEARL	PLATINUM	BLACK PEARL	COPPER PEARL	NOIR PEARL	ANTIQUE GOLD	COPPER SHINING	CRYSTAL SHINING	GOLD SHINING	WHITE PEARL
										62	50	03	04	58	08	06	52	07	01	02
										-	-	●	●	●	●	●	-	●	●	●

ROUND pomolo fisso_fixed knob

design Leo De Carlo



ZAMAK

Supporto_Support

33x60x8mm

Icone	7* or 8*	CLAG	-	3,9x25	43/50	-	-	12	1	19670001	MECHANISM										
											62	50	03	04	58	08	06	52	07	01	02
											PLATINUM	BLACK PEARL	PLATINUM	BLACK PEARL	COPPER PEARL	NOIR PEARL	ANTIQUE GOLD	COPPER SHINING	CRYSTAL SHINING	GOLD SHINING	WHITE PEARL

Opzioni_Options

-



IRON

Supporto_Support

1/2 ferro per pomolo fisso_1/2 fixed knob spindle

Icone	7/90	CLAG	-	45-55	-	-	-	10	8	06727507	MECHANISM
	7/100	CLAG	-	50-65	-	-	-	10	8	06727508	●
	7/110	CLAG	-	60-75	-	-	-	10	8	06727509	●
	7/120	CLAG	-	70-85	-	-	-	10	8	06727510	●
	7/130	CLAG	-	80-95	-	-	-	10	8	06727551	●
	7/140	CLAG	-	90-105	-	-	-	10	8	06727552	●
	8/90	CLAG	-	45-55	-	-	-	10	8	06727503	●
	8/100	CLAG	-	50-65	-	-	-	10	8	06727504	●
	8/110	CLAG	-	60-75	-	-	-	10	8	06727505	●
	8/120	CLAG	-	70-85	-	-	-	10	8	06727506	●
	8/130	CLAG	-	80-95	-	-	-	10	8	06727549	●
	8/140	CLAG	-	90-105	-	-	-	10	8	06727550	●

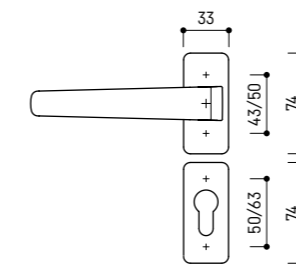
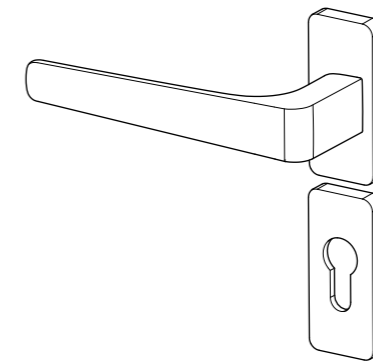
SOFIA

design Leo De Carlo

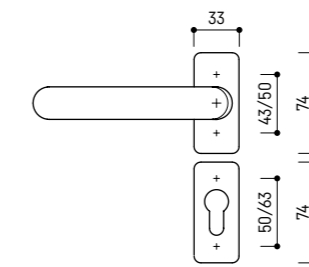


MANIGLIA PER PORTE ESTERNE - SUPPORTO 33x74x8mm_EXTERNAL DOORS HANDLE - SUPPORT 33x74x8mm

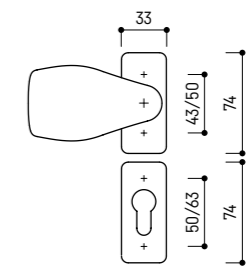
CARATTERISTICHE_FEATURES				FISSAGGIO_FIXING				FINITURE_FINISHES				OPZIONI_OPTIONS						
8	CLAG	R	W	+	+	+	+	304	316	CLASS 5	CLASS 5	CLASS 5	CLASS 5	PVD	+	REI-60	EN-179	IP-45



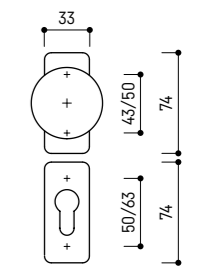
STANDARD



REDUCED



LOFT KNOB (FIXED)



ROUND KNOB (FIXED)

VERSIONI DISPONIBILI_AVAILABLE VERSIONS

CAPITOLATO_SPECIFICATION

Per una descrizione dettagliata di tutte le specifiche tecniche presenti nel prodotto, da impiegare nei capitolati o nelle offerte pubbliche, fate riferimento alla sezione CAPITOLATI for a detailed description of all the technical informations contained in the product, to be used in the specifications or in public tenders, please refer to the SPECIFICATIONS section.

NORMA EN 1906_EN 1906 NORM

4 | 7 | - | 0 | 0 | 5 | 0 | B

ROUND pomolo fisso_fixed knob

design Leo De Carlo



ZAMAK

Supporto_Support

33x74x8mm

	7" or 8"									●											
										62	50	03	04	5B	08	06	52	07	01	02	
					3,9x25	43/50		12	1	19604001	PLATINUM	BLACK PEARL	PLATINUM	BLACK PEARL	COPPER PEARL	NOIR PEARL	ANTIQUE GOLD	COPPER SHINING	CRYSTAL SHINING	GOLD SHINING	WHITE PEARL

Opzioni_Options

IRON

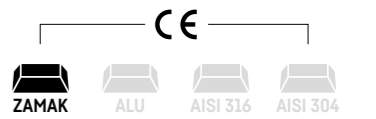
Supporto_Support

1/2 ferro per pomolo fisso_1/2 fixed knob spindle

	7/90									●														
										45-55	-	-	-	10	8	06727507								
	7/100				50-65					10	8	06727508												
	7/110				60-75					10	8	06727509												
	7/120				70-85					10	8	06727510												
	7/130				80-95					10	8	06727551												
	7/140				90-105					10	8	06727552												
	8/90				45-55					10	8	06727503												
	8/100				50-65					10	8	06727504												
	8/110				60-75					10	8	06727505												
	8/120				70-85					10	8	06727506												
	8/130				80-95					10	8	06727549												
	8/140				90-105					10	8	06727550												

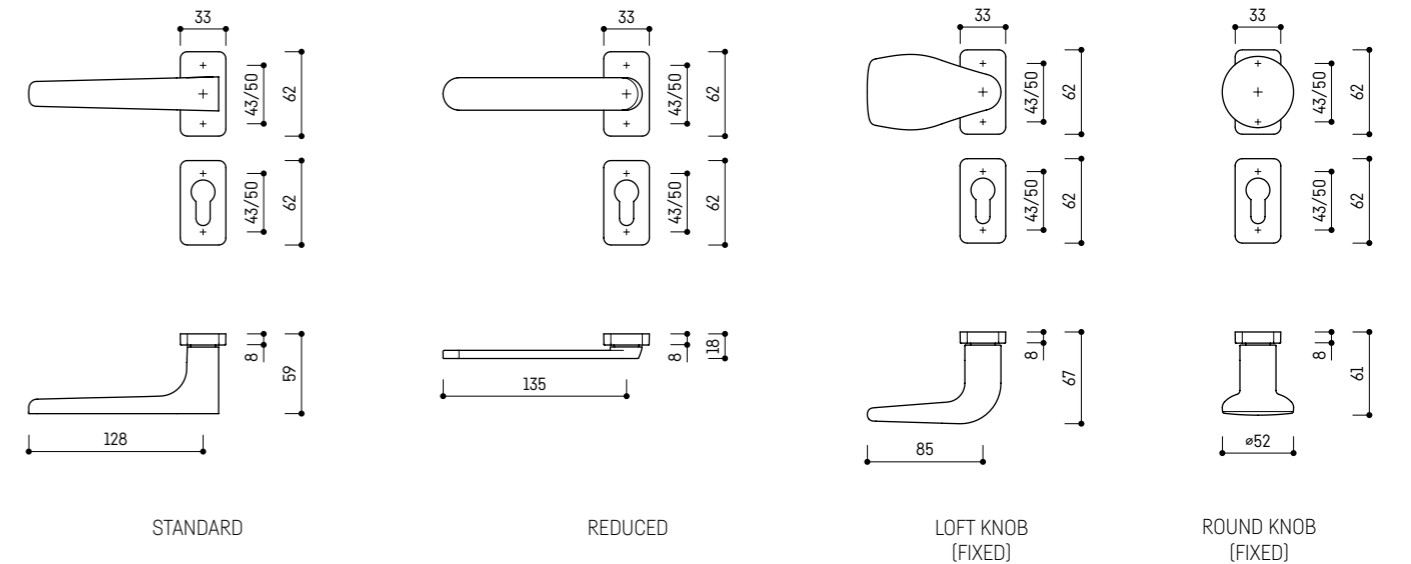
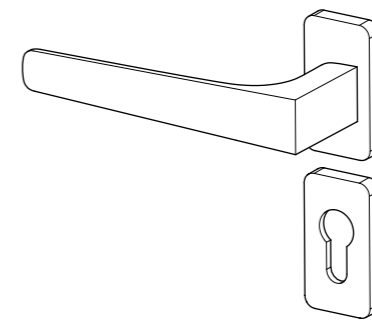
GAIUS

design Leo De Carlo



MANIGLIA PER PORTE ESTERNE - SUPPORTO 33x60x8mm_EXTERNAL DOORS HANDLE - SUPPORT 33x60x8mm

CARATTERISTICHE_FEATURES				FISSAGGIO_FIXING				FINITURE_FINISHES				OPZIONI_OPTIONS						



VERSIONI DISPONIBILI_AVAILABLE VERSIONS

CAPITOLATO_SPECIFICATION

					<p>Per una descrizione dettagliata di tutte le specifiche tecniche presenti nel prodotto, da impiegare nei capitolati o nelle offerte pubbliche, fate riferimento alla sezione CAPITOLATI for a detailed description of all the technical informations contained in the product, to be used in the specifications or in public tenders, please refer to the SPECIFICATIONS section.</p> <p>NORMA EN 1906_EN 1906 NORM</p> <p>4 7 - 0 0 5 0 B</p>

Opzioni_Options -



IRON

Supporto_Support

Ferro uscita emergenza EN-179_Emergency exit EN-179 spindle

EN-179	Icons										MECHANISM			
	8-9-8/140	8-9-8/150	8-9-8/160	8-9-8/180	8-9-8/185	8-9-8/195	10	8	06727538	06727540	06727542	06727546	06727547	06727548
	CLAD	CLAD	CLAD	CLAD	CLAD	CLAD								

Opzioni_Options -



IRON

Supporto_Support

1/2 ferro ancora_1/2 anchor spindle

EN-179	Icons										MECHANISM												
	8/60	8/70	8/80	8/90	8/100	7/60	7/70	7/80	7/90	7/100	10	8	06727462	06727427	06727428	06727429	06727463	06727432	06727433	06727434	06727435	06727436	
	CLAD	CLAD	CLAD	CLAD	CLAD	CLAD	CLAD	CLAD	CLAD	CLAD													

LOFT pomolo fisso_fixed knob

design Leo De Carlo



ZAMAK

Supporto_Support

33x60x8mm

7* or 8*	Icons										MECHANISM											
	3,9x25	43/50	12	1	17070001	62	50	03	04	58	08	06	52	07	01	02						
	CLAD																					

ROUND pomolo fisso_fixed knob

design Leo De Carlo



ZAMAK

Supporto_Support

33x60x8mm

7* or 8*	Icons										MECHANISM											
	3,9x25	43/50	12	1	19670001	62	50	03	04	58	08	06	52	07	01	02						
	CLAD																					

Opzioni_Options -



IRON

Supporto_Support

1/2 ferro per pomolo fisso_1/2 fixed knob spindle

7/90	Icons										MECHANISM																
	45-55	50-65	60-75	70-85	80-95	90-105	45-55	50-65	60-75	70-85	80-95	90-105	10	8	06727507	06727508	06727509	06727510	06727551	06727552	06727503	06727504	06727505	06727506	06727549	06727550	
	CLAD	CLAD	CLAD	CLAD	CLAD	CLAD	CLAD	CLAD	CLAD	CLAD	CLAD	CLAD															

ROUND pomolo fisso_fixed knob

design Leo De Carlo



ZAMAK

Supporto_Support

33x60x8mm

											●						● ●				
											PLATINUM	BLACK PEARL	PLATINUM	BLACK PEARL	COPPER PEARL	NOIR PEARL	ANTIQUE GOLD	COPPER SHINING	CRYSTAL SHINING	GOLD SHINING	WHITE PEARL
											62	50	03	04	5B	08	06	52	07	01	02
7* or 8*	CLAG			3,9x25	43/50			12	1	19670001			●	●	●	●		●	●		

Opzioni_Options

-



IRON

Supporto_Support

1/2 ferro per pomolo fisso_1/2 fixed knob spindle

											●
											MECHANISM
											26
7/90	CLAG		45-55					10	8	06727507	●
7/100	CLAG		50-65					10	8	06727508	●
7/110	CLAG		60-75					10	8	06727509	●
7/120	CLAG		70-85					10	8	06727510	●
7/130	CLAG		80-95					10	8	06727551	●
7/140	CLAG		90-105					10	8	06727552	●
8/90	CLAG		45-55					10	8	06727503	●
8/100	CLAG		50-65					10	8	06727504	●
8/110	CLAG		60-75					10	8	06727505	●
8/120	CLAG		70-85					10	8	06727506	●
8/130	CLAG		80-95					10	8	06727549	●
8/140	CLAG		90-105					10	8	06727550	●

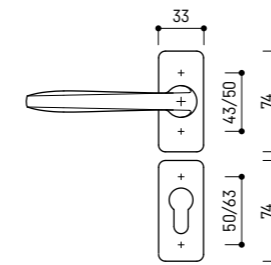
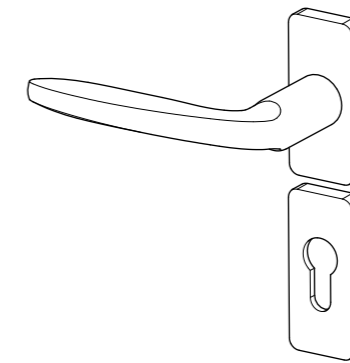
KOBE

design Leo De Carlo

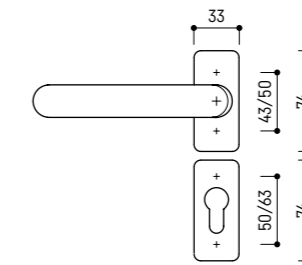


MANIGLIA PER PORTE ESTERNE - SUPPORTO 33x74x8mm_EXTERNAL DOORS HANDLE - SUPPORT 33x74x8mm

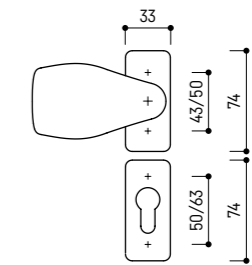
CARATTERISTICHE_FEATURES				FISSAGGIO_FIXING				FINITURE_FINISHES					OPZIONI_OPTIONS					
CLAG	R	W	+	1	2	3	4	304	316	CLASS 5	CLASS 5	CLASS 5	CLASS 5	PVD	+	REI-60	EN-179	IP-65



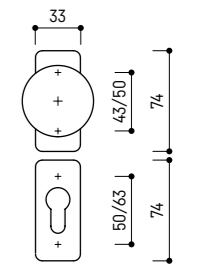
STANDARD



REDUCED



LOFT KNOB (FIXED)



ROUND KNOB (FIXED)

VERSIONI DISPONIBILI_AVAILABLE VERSIONS

CAPITOLATO_SPECIFICATION

Per una descrizione dettagliata di tutte le specifiche tecniche presenti nel prodotto, da impiegare nei capitolati o nelle offerte pubbliche, fate riferimento alla sezione CAPITOLATI. For a detailed description of all the technical informations contained in the product, to be used in the specifications or in public tenders, please refer to the SPECIFICATIONS section.

NORMA EN 1906_EN 1906 NORM
4 | 7 | - | 0 | 0 | 5 | 0 | B

ROUND pomolo fisso_fixed knob

design Leo De Carlo



ZAMAK

Supporto_Support

33x74x8mm

	7" or 8"								12	1	19604001	●					● ●				
												62	50	03	04	5B	08	06	52	07	01

Opzioni_Options

-



IRON

Supporto_Support

1/2 ferro per pomolo fisso_1/2 fixed knob spindle

	7/90										10	8	06727507	●	
														MECHANISM	26
	7/100				45-55	50-65	60-75	70-85	80-95	90-105	10	8	06727508	●	
	7/110				45-55	50-65	60-75	70-85	80-95	90-105	10	8	06727509	●	
	7/120				45-55	50-65	60-75	70-85	80-95	90-105	10	8	06727510	●	
	7/130				45-55	50-65	60-75	70-85	80-95	90-105	10	8	06727551	●	
	7/140				45-55	50-65	60-75	70-85	80-95	90-105	10	8	06727552	●	
	8/90				45-55	50-65	60-75	70-85	80-95	90-105	10	8	06727503	●	
	8/100				45-55	50-65	60-75	70-85	80-95	90-105	10	8	06727504	●	
	8/110				45-55	50-65	60-75	70-85	80-95	90-105	10	8	06727505	●	
	8/120				45-55	50-65	60-75	70-85	80-95	90-105	10	8	06727506	●	
	8/130				45-55	50-65	60-75	70-85	80-95	90-105	10	8	06727549	●	
	8/140				45-55	50-65	60-75	70-85	80-95	90-105	10	8	06727550	●	

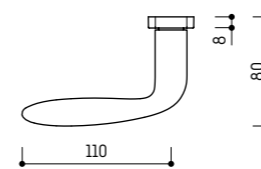
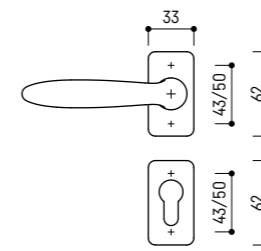
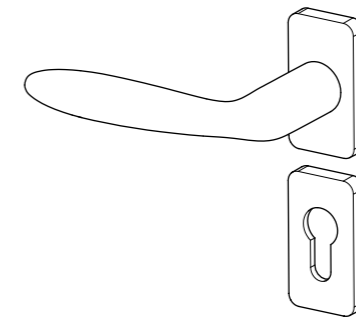
BOTTICELLI

design Ufficio Tecnico Opentech

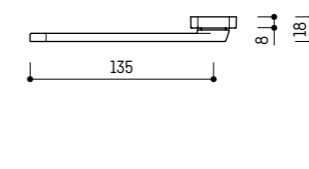
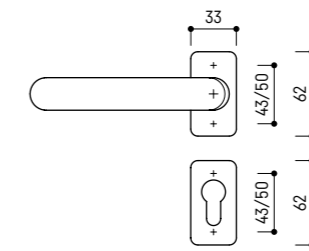


MANIGLIA PER PORTE ESTERNE - SUPPORTO 33x60x8mm_EXTERNAL DOORS HANDLE - SUPPORT 33x60x8mm

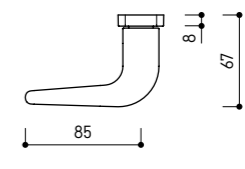
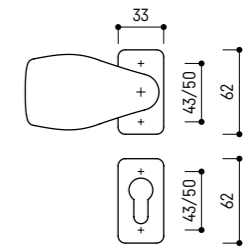
CARATTERISTICHE_FEATURES				FISSAGGIO_FIXING				FINITURE_FINISHES					OPZIONI_OPTIONS			



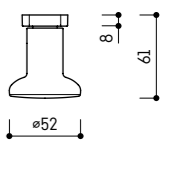
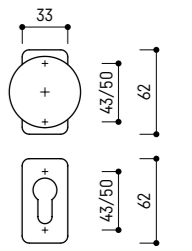
STANDARD



REDUCED



LOFT KNOB (FIXED)



ROUND KNOB (FIXED)

VERSIONI DISPONIBILI_AVAILABLE VERSIONS

CAPITOLATO_SPECIFICATION

Per una descrizione dettagliata di tutte le specifiche tecniche presenti nel prodotto, da impiegare nei capitolati o nelle offerte pubbliche, fate riferimento alla sezione CAPITOLATI. For a detailed description of all the technical informations contained in the product, to be used in the specifications or in public tenders, please refer to the SPECIFICATIONS section.

NORMA EN 1906_EN 1906 NORM

4 | 7 | - | 0 | 0 | 5 | 0 | B

Opzioni_Options -



IRON

Supporto_Support

Ferro uscita emergenza EN-179_Emergency exit EN-179 spindle

EN-179	MECHANISM										26	
	8-9-8/140	8-9-8/150	8-9-8/160	8-9-8/180	8-9-8/185	8-9-8/195	30-70	40-80	50-90	70-110		75-115
	●	●	●	●	●	●	●	●	●	●	●	●
	●	●	●	●	●	●	●	●	●	●	●	●

Opzioni_Options -



IRON

Supporto_Support

1/2 ferro ancora_1/2 anchor spindle

	MECHANISM										26
	8/60	8/70	8/80	8/90	8/100	7/60	7/70	7/80	7/90	7/100	
	●	●	●	●	●	●	●	●	●	●	
	●	●	●	●	●	●	●	●	●	●	

LOFT pomolo fisso_fixed knob

design Leo De Carlo



ZAMAK

Supporto_Support

33x60x8mm

7* or 8*	MECHANISM										12	1	17070001	FINISHES										
	62	50	03	04	58	08	06	52	07	01				02	PLATINUM	BLACK PEARL	PLATINUM	BLACK PEARL	COPPER PEARL	NOIR PEARL	ANTIQUE GOLD	COPPER SHINING	CRYSTAL SHINING	GOLD SHINING
	●	●	●	●	●	●	●	●	●	●	●	●	●	●	●	●	●	●	●	●	●	●	●	●

ROUND pomolo fisso_fixed knob

design Leo De Carlo



ZAMAK

Supporto_Support

33x60x8mm

7* or 8*	MECHANISM										12	1	19670001	FINISHES									
	62	50	03	04	58	08	06	52	07	01				02	PLATINUM	BLACK PEARL	PLATINUM	BLACK PEARL	COPPER PEARL	NOIR PEARL	ANTIQUE GOLD	COPPER SHINING	CRYSTAL SHINING
	●	●	●	●	●	●	●	●	●	●	●	●	●	●	●	●	●	●	●	●	●	●	●

Opzioni_Options -



IRON

Supporto_Support

1/2 ferro per pomolo fisso_1/2 fixed knob spindle

7/90	MECHANISM										10	8	06727507	26	
	7/100	7/110	7/120	7/130	7/140	8/90	8/100	8/110	8/120	8/130					8/140
	●	●	●	●	●	●	●	●	●	●	●	●	●	●	●
	●	●	●	●	●	●	●	●	●	●	●	●	●	●	●

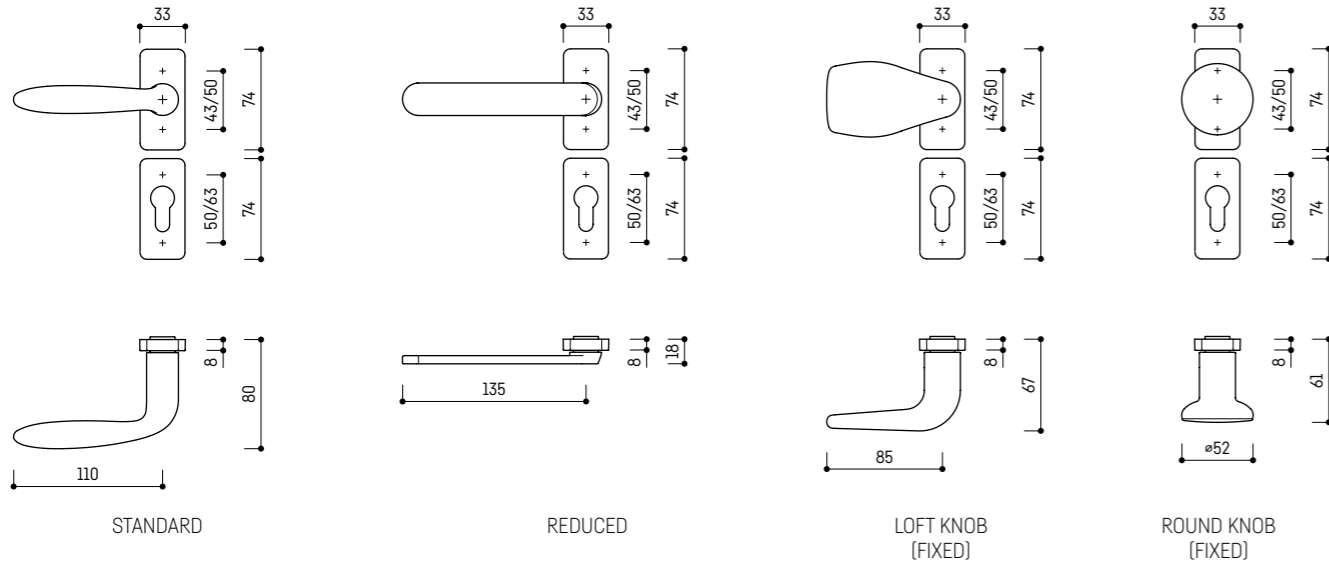
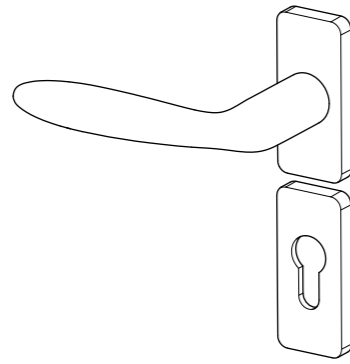
BOTTICELLI

design Ufficio Tecnico Opentech



MANIGLIA PER PORTE ESTERNE - SUPPORTO 33x74x8mm_EXTERNAL DOORS HANDLE - SUPPORT 33x74x8mm

CARATTERISTICHE_FEATURES				FISSAGGIO_FIXING				FINITURE_FINISHES				OPZIONI_OPTIONS					



VERSIONI DISPONIBILI_AVAILABLE VERSIONS

VERSIONI DISPONIBILI_AVAILABLE VERSIONS					CAPITOLATO_SPECIFICATION
					Per una descrizione dettagliata di tutte le specifiche tecniche presenti nel prodotto, da impiegare nei capitolati o nelle offerte pubbliche, fate riferimento alla sezione CAPITOLATI for a detailed description of all the technical informations contained in the product, to be used in the specifications or in public tenders, please refer to the SPECIFICATIONS section. NORMA EN 1906_EN 1906 NORM 4 7 - 0 0 5 0 B

BOTTICELLI

design Ufficio Tecnico Opentech



ZAMAK

Supporto_Support

33x74x8mm

	■	+										●				● ●								
												62	50	03	04	58	08	06	52	07	01	02		
	8*				-	3,9x25	43/50	-	-	24	1	14904012	-	-	●	●	-	-	-	●	●	-		
	8/170				60-90	3,9x25	43/50	-	-	24	1	14904013	-	-	●	●	-	-	-	-	●	●	-	
	8/170				60-90	3,9x25	43/50 50/63	-	-	24	1	14904014	-	-	●	●	-	-	-	-	-	●	●	-
	-	-	-		-	3,9x25	50/63	-	-	24	4	06525138	-	-	●	●	●	●	●	-	-	●	●	●
	8/110				45-60	3,9x25	43/50	-	-	12	1	19404001	-	-	●	●	●	●	●	-	-	●	●	-
	8/125				60-75	3,9x25	43/50	-	-	12	1	19404002	-	-	●	●	●	●	●	-	-	●	●	-
	8/140				75-90	3,9x25	43/50	-	-	12	1	19404003	-	-	●	●	●	●	●	-	-	●	●	-

Opzioni_Options

-



IRON

Supporto_Support

Ferro standard_Standard spindle

	■	+										●
												MECHANISM
	7/140		-	30-70	-	-	-	-	10	8	06727634	26
	7/150		-	40-80	-	-	-	-	10	8	06727485	●
	7/160		-	50-90	-	-	-	-	10	8	06727635	●
	7/180		-	70-110	-	-	-	-	10	8	06727199	●
	7/185		-	75-115	-	-	-	-	10	8	06727200	●
	7/195		-	85-125	-	-	-	-	10	8	06727201	●
	8/140		-	30-70	-	-	-	-	10	8	06727422	●
	8/150		-	40-80	-	-	-	-	10	8	06727643	●
	8/160		-	50-90	-	-	-	-	10	8	06727996	●
	8/180		-	70-110	-	-	-	-	10	8	06727466	●
	8/185		-	75-115	-	-	-	-	10	8	06727499	●
	8/195		-	85-125	-	-	-	-	10	8	06727500	●

Opzioni_Options -



IRON

Supporto_Support

Ferro uscita emergenza EN-179_Emergency exit EN-179 spindle

EN-179														MECHANISM
	8/140	8/150	8/160	8/180	8/185	8/195	8-9-8/140	8-9-8/150	8-9-8/160	8-9-8/180	8-9-8/185	8-9-8/195	26	
	30-70	40-80	50-90	70-110	75-115	85-125	30-70	40-80	50-90	70-110	75-115	85-125		
	10	10	10	10	10	10	10	10	10	10	10	10		
	8	8	8	8	8	8	8	8	8	8	8	8		
	06727522	06727524	06727526	06727530	06727531	06727532	06727538	06727540	06727542	06727546	06727547	06727548		

Opzioni_Options -



IRON

Supporto_Support

1/2 ferro ancora_1/2 anchor spindle

1/2 ferro ancora														MECHANISM
	8/60	8/70	8/80	8/90	8/100	7/60	7/70	7/80	7/90	7/100	26			
	-	-	-	-	-	-	-	-	-	-				
	10	10	10	10	10	10	10	10	10	10				
	8	8	8	8	8	8	8	8	8	8				
	06727462	06727427	06727428	06727429	06727463	06727432	06727433	06727434	06727435	06727436				

LOFT pomolo fisso_fixed knob

design Leo De Carlo



ZAMAK

Supporto_Support

33x74x8mm

7* or 8*														62	50	03	04	58	08	06	52	07	01	02
	-	-																						
	12	1																						
	17004001																							

ROUND pomolo fisso_fixed knob

design Leo De Carlo



ZAMAK

Supporto_Support

33x74x8mm

7* or 8*														62	50	03	04	58	08	06	52	07	01	02
	-	-																						
	12	1																						
	19604001																							

Opzioni_Options -

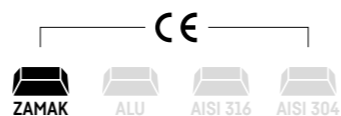


IRON

Supporto_Support

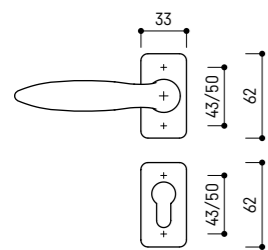
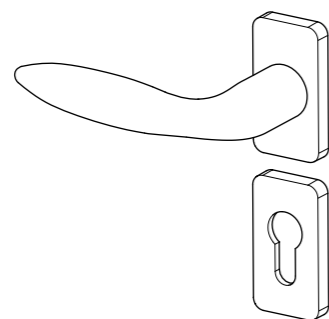
1/2 ferro per pomolo fisso_1/2 fixed knob spindle

1/2 ferro per pomolo fisso														MECHANISM
	7/90	7/100	7/110	7/120	7/130	7/140	8/90	8/100	8/110	8/120	8/130	8/140	26	
	45-55	50-65	60-75	70-85	80-95	90-105	45-55	50-65	60-75	70-85	80-95	90-105		
	10	10	10	10	10	10	10	10	10	10	10	10		
	8	8	8	8	8	8	8	8	8	8	8	8		
	06727507	06727508	06727509	06727510	06727551	06727552	06727503	06727504	06727505	06727506	06727549	06727550		

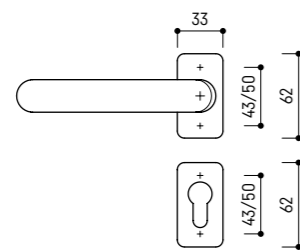


MANIGLIA PER PORTE ESTERNE - SUPPORTO 33x60x8mm_EXTERNAL DOORS HANDLE - SUPPORT 33x60x8mm

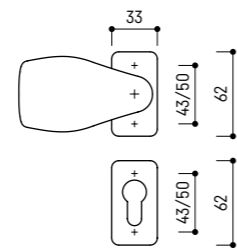
CARATTERISTICHE_FEATURES				FISSAGGIO_FIXING				FINITURE_FINISHES				OPZIONI_OPTIONS			



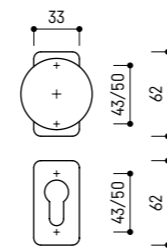
STANDARD



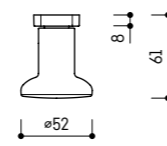
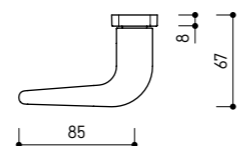
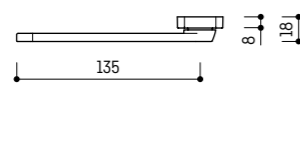
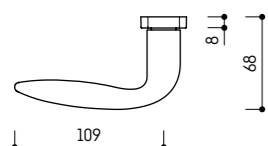
REDUCED



LOFT KNOB (FIXED)



ROUND KNOB (FIXED)



VERSIONI DISPONIBILI_AVAILABLE VERSIONS					CAPITOLATO_SPECIFICATION
					<p>Per una descrizione dettagliata di tutte le specifiche tecniche presenti nel prodotto, da impiegare nei capitolati o nelle offerte pubbliche, fate riferimento alla sezione CAPITOLATI. For a detailed description of all the technical informations contained in the product, to be used in the specifications or in public tenders, please refer to the SPECIFICATIONS section.</p> <p>NORMA EN 1906_EN 1906 NORM 4 7 - 0 0 5 0 B</p>

											L											
											62 PLATINUM	50 BLACK PEARL	03 PLATINUM	04 BLACK PEARL	58 COPPER PEARL	08 NOIR PEARL	06 ANTIQUE GOLD	52 COPPER SHINING	07 CRYSTAL SHINING	01 GOLD SHINING	02 WHITE PEARL	
	8*			-	3,9x25	43/50	-	-	24	1	14570001	-	-	●	●	-	●	-	-	●	●	●
	7*			-	3,9x25	43/50	-	-	24	1	14570002	-	-	●	●	-	●	-	-	●	●	●
	8*			-	3,9x25	43/50	-	-	24	1	14578001	-	-	●	●	-	●	-	-	●	●	●
	7*			-	3,9x25	43/50	-	-	24	1	14578002	-	-	●	●	-	●	-	-	●	●	●
	8/170			60-90	3,9x25	43/50	-	-	24	1	14570003	-	-	●	●	-	●	-	-	●	●	●
	7/170			60-90	3,9x25	43/50	-	-	24	1	14570005	-	-	●	●	-	●	-	-	●	●	●
	8/170			60-90	3,9x25	43/50	-	-	24	1	14578003	-	-	●	●	-	●	-	-	●	●	●
	7/170			60-90	3,9x25	43/50	-	-	24	1	14578005	-	-	●	●	-	●	-	-	●	●	●
	8/170			60-90	3,9x25	43/50	-	-	24	1	14570004	-	-	●	●	-	●	-	-	●	●	●
	7/170			60-90	3,9x25	43/50	-	-	24	1	14570006	-	-	●	●	-	●	-	-	●	●	●
	8/170			60-90	3,9x25	43/50	-	-	24	1	14578004	-	-	●	●	-	●	-	-	●	●	●
	7/170			60-90	3,9x25	43/50	-	-	24	1	14578006	-	-	●	●	-	●	-	-	●	●	●
	-	-	-	-	3,9x25	43/50	-	-	24	4	06525139	-	-	●	●	●	●	●	-	●	●	●
		8/110			45-60	3,9x25	43/50	-	-	12	1	19470001	-	-	●	●	●	●	●	-	●	●
8/125				60-75	3,9x25	43/50	-	-	12	1	19470002	-	-	●	●	●	●	●	-	●	●	-
8/140				75-90	3,9x25	43/50	-	-	12	1	19470003	-	-	●	●	●	●	●	-	●	●	-
8/110				45-60	3,9x25	43/50	-	-	12	1	19478001	-	-	●	●	●	●	●	-	●	●	-
8/125				60-75	3,9x25	43/50	-	-	12	1	19478002	-	-	●	●	●	●	●	-	●	●	-
8/140				75-90	3,9x25	43/50	-	-	12	1	19478003	-	-	●	●	●	●	●	-	●	●	-
7/110				45-60	3,9x25	43/50	-	-	12	1	19470004	-	-	●	●	●	●	●	-	●	●	-
7/125				60-75	3,9x25	43/50	-	-	12	1	19470005	-	-	●	●	●	●	●	-	●	●	-
7/140			75-90	3,9x25	43/50	-	-	12	1	19470006	-	-	●	●	●	●	●	-	●	●	-	
7/110			45-60	3,9x25	43/50	-	-	12	1	19478004	-	-	●	●	●	●	●	-	●	●	-	

ROUND pomolo fisso_fixed knob

design Leo De Carlo

ZAMAK

33x60x8mm

Supporto_Support



			62	50	03	04	5B	08	06	52	07	01	02							
7* or 8*	CLAG	-	3,9x25	43/50	-	-	12	1	19670001	-	-	•	•	•	•	•	•	•	•	-

Opzioni_Options

IRON

1/2 ferro per pomolo fisso_1/2 fixed knob spindle

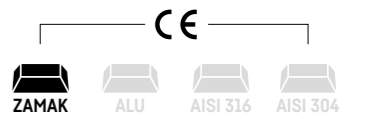
Supporto_Support



			26									
7/90	CLAG	-	45-55	-	-	-	10	8	06727507	•		
7/100	CLAG	-	50-65	-	-	-	10	8	06727508	•		
7/110	CLAG	-	60-75	-	-	-	10	8	06727509	•		
7/120	CLAG	-	70-85	-	-	-	10	8	06727510	•		
7/130	CLAG	-	80-95	-	-	-	10	8	06727551	•		
7/140	CLAG	-	90-105	-	-	-	10	8	06727552	•		
8/90	CLAG	-	45-55	-	-	-	10	8	06727503	•		
8/100	CLAG	-	50-65	-	-	-	10	8	06727504	•		
8/110	CLAG	-	60-75	-	-	-	10	8	06727505	•		
8/120	CLAG	-	70-85	-	-	-	10	8	06727506	•		
8/130	CLAG	-	80-95	-	-	-	10	8	06727549	•		
8/140	CLAG	-	90-105	-	-	-	10	8	06727550	•		

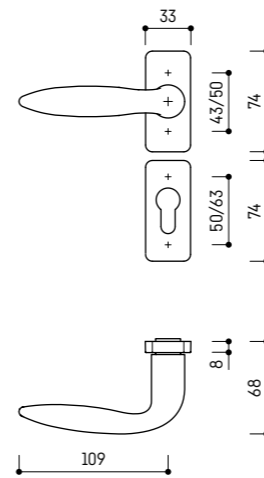
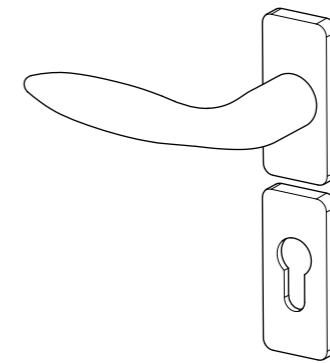
DODO

design Ufficio Tecnico Opentech

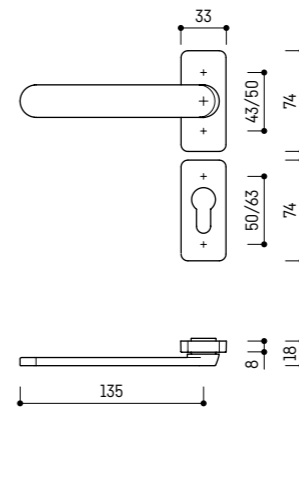


MANIGLIA PER PORTE ESTERNE - SUPPORTO 33x74x8mm_EXTERNAL DOORS HANDLE - SUPPORT 33x74x8mm

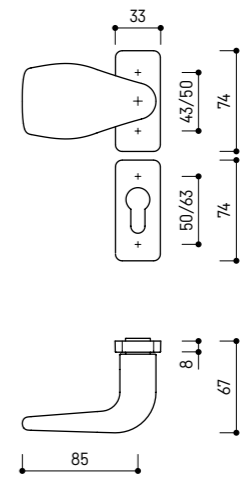
CARATTERISTICHE_FEATURES	FISSAGGIO_FIXING	FINITURE_FINISHES	OPZIONI_OPTIONS



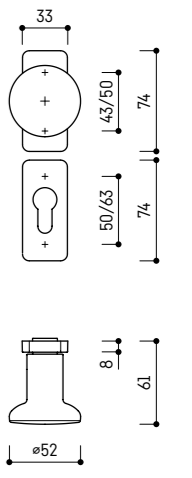
STANDARD



REDUCED



LOFT KNOB (FIXED)



ROUND KNOB (FIXED)

VERSIONI DISPONIBILI_AVAILABLE VERSIONS

CAPITOLATO_SPECIFICATION

Per una descrizione dettagliata di tutte le specifiche tecniche presenti nel prodotto, da impiegare nei capitolati o nelle offerte pubbliche, fate riferimento alla sezione CAPITOLATI. For a detailed description of all the technical informations contained in the product, to be used in the specifications or in public tenders, please refer to the SPECIFICATIONS section.

NORMA EN 1906_EN 1906 NORM
4 | 7 | - | 0 | 0 | 5 | 0 | B



ROUND pomolo fisso_fixed knob

design Leo De Carlo

ZAMAK

Supporto_Support

33x74x8mm

	7" or 8"								12	1	19604001	●				● ●			
												PLATINUM 62	BLACK PEARL 50	PLATINUM 03	BLACK PEARL 04	COPPER PEARL 5B	NOIR PEARL 08	ANTIQUE GOLD 06	COPPER SHINING 52

Opzioni_Options

IRON

Supporto_Support

1/2 ferro per pomolo fisso_1/2 fixed knob spindle

	7/90										10	8	06727507	●			
														MECHANISM 26			
	7/100				45-55	50-65	60-75	70-85	80-95	90-105	10	8	06727508	●			
	7/110				45-55	50-65	60-75	70-85	80-95	90-105	10	8	06727509	●			
	7/120				45-55	50-65	60-75	70-85	80-95	90-105	10	8	06727510	●			
	7/130				45-55	50-65	60-75	70-85	80-95	90-105	10	8	06727551	●			
	7/140				45-55	50-65	60-75	70-85	80-95	90-105	10	8	06727552	●			
	8/90				45-55	50-65	60-75	70-85	80-95	90-105	10	8	06727503	●			
	8/100				45-55	50-65	60-75	70-85	80-95	90-105	10	8	06727504	●			
	8/110				45-55	50-65	60-75	70-85	80-95	90-105	10	8	06727505	●			
	8/120				45-55	50-65	60-75	70-85	80-95	90-105	10	8	06727506	●			
	8/130				45-55	50-65	60-75	70-85	80-95	90-105	10	8	06727549	●			
	8/140				45-55	50-65	60-75	70-85	80-95	90-105	10	8	06727550	●			

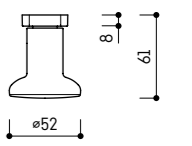
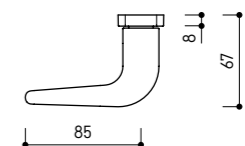
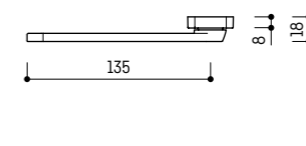
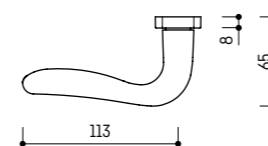
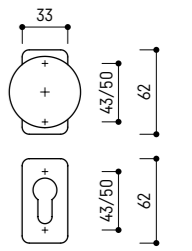
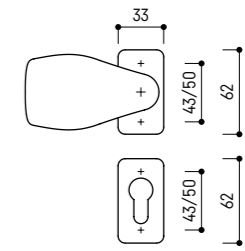
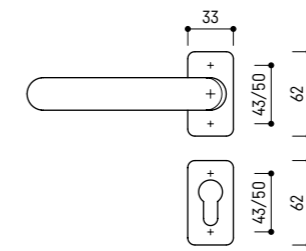
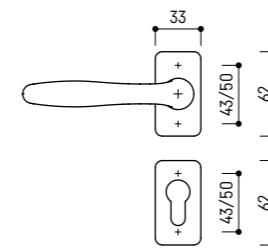
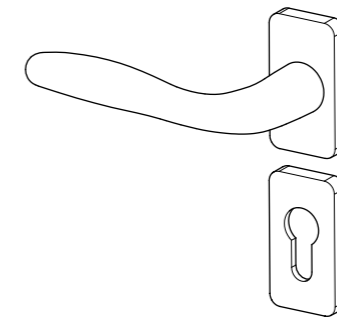
GEO

design Ufficio Tecnico Opentech



MANIGLIA PER PORTE ESTERNE - SUPPORTO 33x60x8mm_EXTERNAL DOORS HANDLE - SUPPORT 33x60x8mm

CARATTERISTICHE_FEATURES				FISSAGGIO_FIXING				FINITURE_FINISHES					OPZIONI_OPTIONS			



STANDARD

REDUCED

LOFT KNOB (FIXED)

ROUND KNOB (FIXED)

VERSIONI DISPONIBILI_AVAILABLE VERSIONS

CAPITOLATO_SPECIFICATION



Per una descrizione dettagliata di tutte le specifiche tecniche presenti nel prodotto, da impiegare nei capitolati o nelle offerte pubbliche, fate riferimento alla sezione CAPITOLATI. For a detailed description of all the technical informations contained in the product, to be used in the specifications or in public tenders, please refer to the SPECIFICATIONS section.

NORMA EN 1906_EN 1906 NORM

4 | 7 | - | 0 | 0 | 5 | 0 | B

Opzioni_Options -



IRON

Supporto_Support

Ferro uscita emergenza EN-179_Emergency exit EN-179 spindle

EN-179	8-9-8/140	8-9-8/150	8-9-8/160	8-9-8/180	8-9-8/185	8-9-8/195	10	8	06727538	MECHANISM 26
	-	-	-	-	-	-	-	-	-	-
	30-70	40-80	50-90	70-110	75-115	85-125	-	-	-	-

Opzioni_Options -



IRON

Supporto_Support

1/2 ferro ancora_1/2 anchor spindle

	8/60	8/70	8/80	8/90	8/100	7/60	7/70	7/80	7/90	7/100	MECHANISM 26
	-	-	-	-	-	-	-	-	-	-	-
	-	-	-	-	-	-	-	-	-	-	-
	10	10	10	10	10	10	10	10	10	10	8
	06727462	06727427	06727428	06727429	06727463	06727432	06727433	06727434	06727435	06727436	

LOFT pomolo fisso_fixed knob

design Leo De Carlo



ZAMAK

Supporto_Support

33x60x8mm

7* or 8*	PLATINUM 62	BLACK PEARL 50	PLATINUM 03	BLACK PEARL 04	COPPER PEARL 58	NOIR PEARL 08	ANTIQUÉ GOLD 06	COPPER SHINING 52	CRYSTAL SHINING 07	GOLD SHINING 01	WHITE PEARL 02
-	-	-	-	-	-	-	-	-	-	-	-
3,9x25	43/50	-	-	-	-	-	-	-	-	-	-
12	1	17070001									

ROUND pomolo fisso_fixed knob

design Leo De Carlo



ZAMAK

Supporto_Support

33x60x8mm

7* or 8*	PLATINUM 62	BLACK PEARL 50	PLATINUM 03	BLACK PEARL 04	COPPER PEARL 58	NOIR PEARL 08	ANTIQUÉ GOLD 06	COPPER SHINING 52	CRYSTAL SHINING 07	GOLD SHINING 01	WHITE PEARL 02
-	-	-	-	-	-	-	-	-	-	-	-
3,9x25	43/50	-	-	-	-	-	-	-	-	-	-
12	1	19670001									

Opzioni_Options -

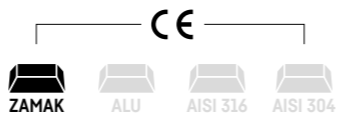


IRON

Supporto_Support

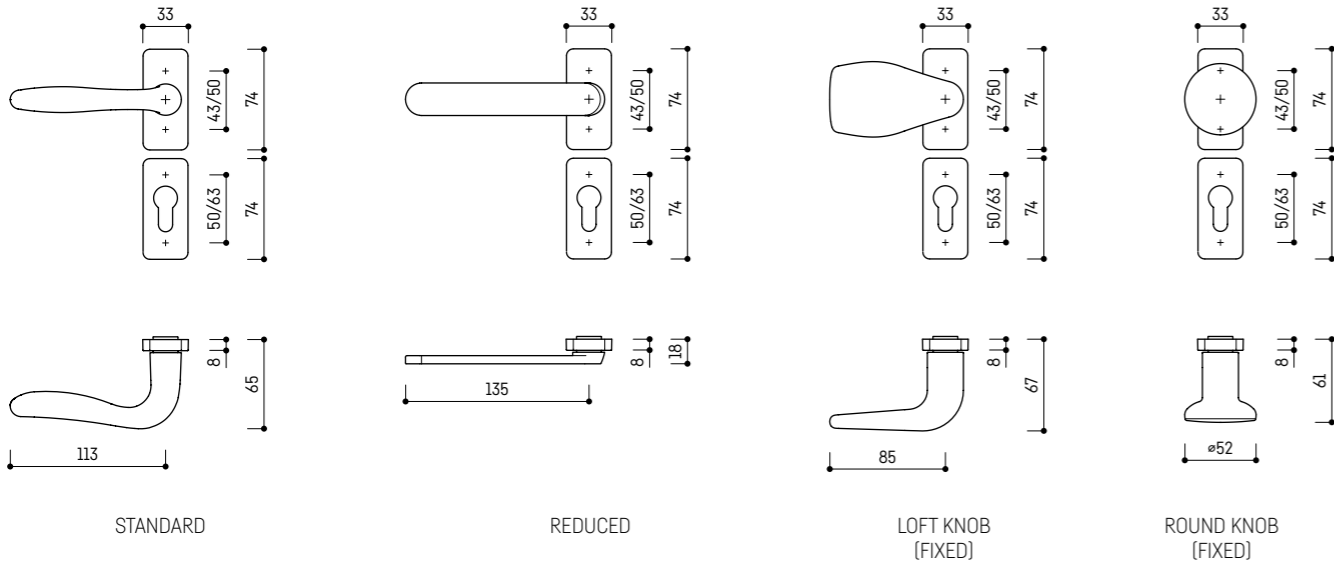
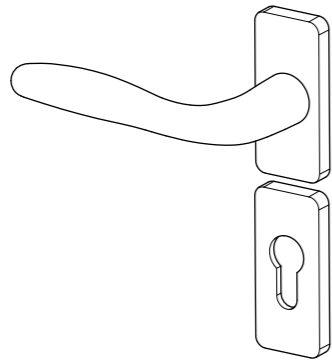
1/2 ferro per pomolo fisso_1/2 fixed knob spindle

	7/90	7/100	7/110	7/120	7/130	7/140	8/90	8/100	8/110	8/120	8/130	8/140	MECHANISM 26
	-	-	-	-	-	-	-	-	-	-	-	-	-
	45-55	50-65	60-75	70-85	80-95	90-105	45-55	50-65	60-75	70-85	80-95	90-105	-
	10	10	10	10	10	10	10	10	10	10	10	10	8
	06727507	06727508	06727509	06727510	06727551	06727552	06727503	06727504	06727505	06727506	06727549	06727550	



MANIGLIA PER PORTE ESTERNE - SUPPORTO 33x74x8mm_EXTERNAL DOORS HANDLE - SUPPORT 33x74x8mm

CARATTERISTICHE_FEATURES				FISSAGGIO_FIXING				FINITURE_FINISHES				OPZIONI_OPTIONS					



VERSIONI DISPONIBILI_AVAILABLE VERSIONS

VERSIONI DISPONIBILI_AVAILABLE VERSIONS					CAPITOLATO_SPECIFICATION
					<p>Per una descrizione dettagliata di tutte le specifiche tecniche presenti nel prodotto, da impiegare nei capitolati o nelle offerte pubbliche, fate riferimento alla sezione CAPITOLATI. For a detailed description of all the technical informations contained in the product, to be used in the specifications or in public tenders, please refer to the SPECIFICATIONS section.</p> <p>NORMA EN 1906_EN 1906 NORM 4 7 - 0 0 5 0 B</p>

	■	+											●						● ●				
													62	50	03	04	58	08	06	52	07	01	02
	8*				-	3,9x25	43/50	-	-	24	1	15404001	-	-	●	●	●	●	●	-	●	●	●
	8/170				60-90	3,9x25	43/50	-	-	24	1	15404002	-	-	●	●	●	●	●	-	●	●	●
	8/170				60-90	3,9x25	43/50 50/63	-	-	24	1	15404003	-	-	●	●	●	●	●	-	●	●	●
	-	-	-		-	3,9x25	50/63	-	-	24	4	06525138	-	-	●	●	●	●	●	-	●	●	●
	8/110				45-60	3,9x25	43/50	-	-	12	1	19404001	-	-	●	●	●	●	●	-	●	●	-
	8/125				60-75	3,9x25	43/50	-	-	12	1	19404002	-	-	●	●	●	●	●	-	●	●	-
	8/140				75-90	3,9x25	43/50	-	-	12	1	19404003	-	-	●	●	●	●	●	-	●	●	-

Opzioni_Options



IRON

Supporto_Support

Ferro standard_Standard spindle

	■	+										●											
												MECHANISM 26											
	7/140		-	30-70	-	-	-	-	-	10	8	06727634	●	●	●	●	●	●	●	●	●	●	●
	7/150		-	40-80	-	-	-	-	-	10	8	06727485	●	●	●	●	●	●	●	●	●	●	●
	7/160		-	50-90	-	-	-	-	-	10	8	06727635	●	●	●	●	●	●	●	●	●	●	●
	7/180		-	70-110	-	-	-	-	-	10	8	06727199	●	●	●	●	●	●	●	●	●	●	●
	7/185		-	75-115	-	-	-	-	-	10	8	06727200	●	●	●	●	●	●	●	●	●	●	●
	7/195		-	85-125	-	-	-	-	-	10	8	06727201	●	●	●	●	●	●	●	●	●	●	●
	8/140		-	30-70	-	-	-	-	-	10	8	06727422	●	●	●	●	●	●	●	●	●	●	●
	8/150		-	40-80	-	-	-	-	-	10	8	06727643	●	●	●	●	●	●	●	●	●	●	●
	8/160		-	50-90	-	-	-	-	-	10	8	06727996	●	●	●	●	●	●	●	●	●	●	●
	8/180		-	70-110	-	-	-	-	-	10	8	06727466	●	●	●	●	●	●	●	●	●	●	●
	8/185		-	75-115	-	-	-	-	-	10	8	06727499	●	●	●	●	●	●	●	●	●	●	●
	8/195		-	85-125	-	-	-	-	-	10	8	06727500	●	●	●	●	●	●	●	●	●	●	●

Opzioni_Options -



IRON

Supporto_Support

Ferro uscita emergenza EN-179_Emergency exit EN-179 spindle

EN-179	MECHANISM											
	8/140	8/150	8/160	8/180	8/185	8/195	8-9-8/140	8-9-8/150	8-9-8/160	8-9-8/180	8-9-8/185	8-9-8/195
	30-70	40-80	50-90	70-110	75-115	85-125	30-70	40-80	50-90	70-110	75-115	85-125
	10	10	10	10	10	10	10	10	10	10	10	10
	8	8	8	8	8	8	8	8	8	8	8	8
	06727522	06727524	06727526	06727530	06727531	06727532	06727538	06727540	06727542	06727546	06727547	06727548

Opzioni_Options -



IRON

Supporto_Support

1/2 ferro ancora_1/2 anchor spindle

1/2 ferro ancora	MECHANISM										
	8/60	8/70	8/80	8/90	8/100	7/60	7/70	7/80	7/90	7/100	
	-	-	-	-	-	-	-	-	-	-	
	10	10	10	10	10	10	10	10	10	10	
	8	8	8	8	8	8	8	8	8	8	
	06727462	06727427	06727428	06727429	06727463	06727432	06727433	06727434	06727435	06727436	

LOFT pomolo fisso_fixed knob

design Leo De Carlo



ZAMAK

Supporto_Support

33x74x8mm

7" or 8"	MECHANISM										
	62	50	03	04	58	08	06	52	07	01	02
	46,79	46,79	46,79	46,79	53,27	46,79	-	50,10	50,10	46,79	

ROUND pomolo fisso_fixed knob

design Leo De Carlo



ZAMAK

Supporto_Support

33x74x8mm

7" or 8"	MECHANISM										
	62	50	03	04	58	08	06	52	07	01	02
	46,79	46,79	46,79	46,79	53,27	46,79	-	50,10	50,10	-	

Opzioni_Options -



IRON

Supporto_Support

1/2 ferro per pomolo fisso_1/2 fixed knob spindle

1/2 ferro per pomolo fisso	MECHANISM											
	7/90	7/100	7/110	7/120	7/130	7/140	8/90	8/100	8/110	8/120	8/130	8/140
	45-55	50-65	60-75	70-85	80-95	90-105	45-55	50-65	60-75	70-85	80-95	90-105
	10	10	10	10	10	10	10	10	10	10	10	10
	8	8	8	8	8	8	8	8	8	8	8	8
	06727507	06727508	06727509	06727510	06727551	06727552	06727503	06727504	06727505	06727506	06727549	06727550

SIRIUS design Ufficio Tecnico Opentech



ZAMAK

Supporto_Support

33x60x8mm

		62	50	03	04	5B	08	06	52	07	01	02								
7/125		-	-	●	●	●	●	●	-	●	●	-								
7/140		-	-	●	●	●	●	●	-	●	●	-								

Opzioni_Options



IRON

Supporto_Support

Ferro standard_Standard spindle

7/140		-	30-70	-	-	-	-	-	-	10	8	06727634								
7/150		-	40-80	-	-	-	-	-	-	10	8	06727485								
7/160		-	50-90	-	-	-	-	-	-	10	8	06727635								
7/180		-	70-110	-	-	-	-	-	-	10	8	06727199								
7/185		-	75-115	-	-	-	-	-	-	10	8	06727200								
7/195		-	85-125	-	-	-	-	-	-	10	8	06727201								
8/140		-	30-70	-	-	-	-	-	-	10	8	06727422								
8/150		-	40-80	-	-	-	-	-	-	10	8	06727643								
8/160		-	50-90	-	-	-	-	-	-	10	8	06727996								
8/180		-	70-110	-	-	-	-	-	-	10	8	06727466								
8/185		-	75-115	-	-	-	-	-	-	10	8	06727499								
8/195		-	85-125	-	-	-	-	-	-	10	8	06727500								

Opzioni_Options



IRON

Supporto_Support

Ferro uscita emergenza EN-179_Emergency exit EN-179 spindle

8/140		-	30-70	-	-	-	-	-	-	10	8	06727522								
8/150		-	40-80	-	-	-	-	-	-	10	8	06727524								
8/160		-	50-90	-	-	-	-	-	-	10	8	06727526								
8/180		-	70-110	-	-	-	-	-	-	10	8	06727530								
8/185		-	75-115	-	-	-	-	-	-	10	8	06727531								
8/195		-	85-125	-	-	-	-	-	-	10	8	06727532								

Opzioni_Options



IRON

Supporto_Support

Ferro uscita emergenza EN-179_Emergency exit EN-179 spindle

8-9-8/140		-	30-70	-	-	-	-	-	-	10	8	06727538								
8-9-8/150		-	40-80	-	-	-	-	-	-	10	8	06727540								
8-9-8/160		-	50-90	-	-	-	-	-	-	10	8	06727542								
8-9-8/180		-	70-110	-	-	-	-	-	-	10	8	06727546								
8-9-8/185		-	75-115	-	-	-	-	-	-	10	8	06727547								
8-9-8/195		-	85-125	-	-	-	-	-	-	10	8	06727548								

Opzioni_Options



IRON

Supporto_Support

1/2 ferro ancora_1/2 anchor spindle

8/60		-	-	-	-	-	-	-	-	10	8	06727462								
8/70		-	-	-	-	-	-	-	-	10	8	06727427								
8/80		-	-	-	-	-	-	-	-	10	8	06727428								
8/90		-	-	-	-	-	-	-	-	10	8	06727429								
8/100		-	-	-	-	-	-	-	-	10	8	06727463								
7/60		-	-	-	-	-	-	-	-	10	8	06727432								
7/70		-	-	-	-	-	-	-	-	10	8	06727433								
7/80		-	-	-	-	-	-	-	-	10	8	06727434								
7/90		-	-	-	-	-	-	-	-	10	8	06727435								
7/100		-	-	-	-	-	-	-	-	10	8	06727436								

LOFT pomolo fisso_fixed knob



ZAMAK

Supporto_Support

33x60x8mm

design Leo De Carlo

7" or 8"		-	3,9x25	43/50	-	-	-	-	-	12	1	17070001	62	50	03	04	5B	08	06	52	07	01	02

ROUND pomolo fisso_fixed knob

design Leo De Carlo



ZAMAK

Supporto_Support

33x60x8mm

Icone	7* or 8*	CLAG	-	3,9x25	43/50	-	-	12	1	19670001	L				L L						
											PLATINUM	BLACK PEARL	PLATINUM	BLACK PEARL	COPPER PEARL	NOIR PEARL	ANTIQUE GOLD	COPPER SHINING	CRYSTAL SHINING	GOLD SHINING	WHITE PEARL
											62	50	03	04	58	08	06	52	07	01	02

Opzioni_Options

IRON

Supporto_Support

1/2 ferro per pomolo fisso_1/2 fixed knob spindle

Icone	7/90	CLAG	-	45-55	-	-	-	10	8	06727507	MECHANISM	26
	7/100	CLAG	-	50-65	-	-	-	10	8	06727508		
	7/110	CLAG	-	60-75	-	-	-	10	8	06727509		
	7/120	CLAG	-	70-85	-	-	-	10	8	06727510		
	7/130	CLAG	-	80-95	-	-	-	10	8	06727551		
	7/140	CLAG	-	90-105	-	-	-	10	8	06727552		
	8/90	CLAG	-	45-55	-	-	-	10	8	06727503		
	8/100	CLAG	-	50-65	-	-	-	10	8	06727504		
	8/110	CLAG	-	60-75	-	-	-	10	8	06727505		
	8/120	CLAG	-	70-85	-	-	-	10	8	06727506		
	8/130	CLAG	-	80-95	-	-	-	10	8	06727549		
	8/140	CLAG	-	90-105	-	-	-	10	8	06727550		

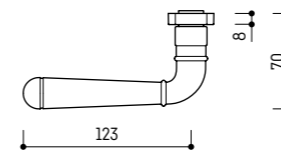
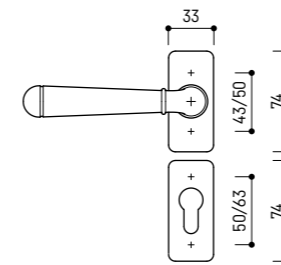
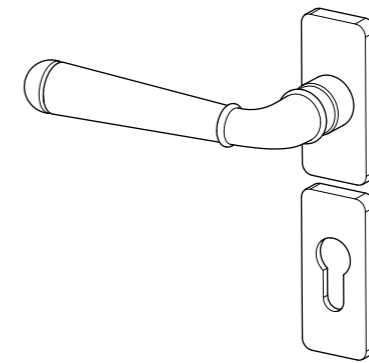
SIRIUS

design Ufficio Tecnico Opentech

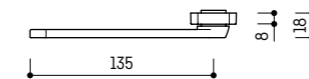
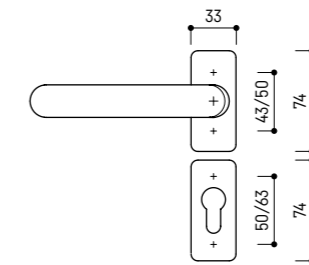


MANIGLIA PER PORTE ESTERNE - SUPPORTO 33x74x8mm_EXTERNAL DOORS HANDLE - SUPPORT 33x74x8mm

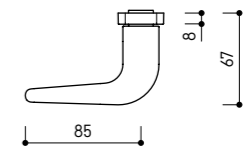
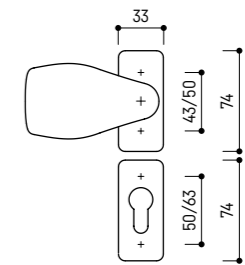
CARATTERISTICHE_FEATURES				FISSAGGIO_FIXING				FINITURE_FINISHES				OPZIONI_OPTIONS						
B	CLAG	R	W	+	I	P	P	304	316	CLASS 5	CLASS 5	CLASS 5	CLASS 5	PVD	+	REI-60	EN-179	IP-65



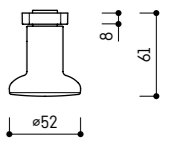
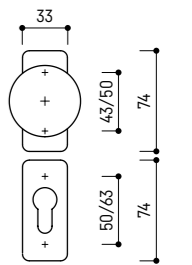
STANDARD



REDUCED



LOFT KNOB (FIXED)



ROUND KNOB (FIXED)

VERSIONI DISPONIBILI_AVAILABLE VERSIONS

CAPITOLATO_SPECIFICATION

Per una descrizione dettagliata di tutte le specifiche tecniche presenti nel prodotto, da impiegare nei capitolati o nelle offerte pubbliche, fate riferimento alla sezione CAPITOLATI for a detailed description of all the technical informations contained in the product, to be used in the specifications or in public tenders, please refer to the SPECIFICATIONS section.

NORMA EN 1906_EN 1906 NORM

4 | 7 | - | 0 | 0 | 5 | 0 | B

ROUND pomolo fisso_fixed knob

design Leo De Carlo

ZAMAK

33x74x8mm

Supporto_Support

	7* or 8*	CLAG	-	-	3,9x25	43/50	-	-	12	1	19604001	L				L L						
												62	50	03	04	58	08	06	52	07	01	02
												PLATINUM	BLACK PEARL	PLATINUM	BLACK PEARL	COPPER PEARL	NOIR PEARL	ANTIQUÉ GOLD	COPPER SHINING	CRYSTAL SHINING	GOLD SHINING	WHITE PEARL

Opzioni_Options

IRON

Supporto_Support

1/2 ferro per pomolo fisso_1/2 fixed knob spindle

	7/90	CLAG	-	45-55	-	-	-	-	10	8	06727507	MECHANISM	26
	7/100	CLAG	-	50-65	-	-	-	-	10	8	06727508	•	
	7/110	CLAG	-	60-75	-	-	-	-	10	8	06727509	•	
	7/120	CLAG	-	70-85	-	-	-	-	10	8	06727510	•	
	7/130	CLAG	-	80-95	-	-	-	-	10	8	06727551	•	
	7/140	CLAG	-	90-105	-	-	-	-	10	8	06727552	•	
	8/90	CLAG	-	45-55	-	-	-	-	10	8	06727503	•	
	8/100	CLAG	-	50-65	-	-	-	-	10	8	06727504	•	
	8/110	CLAG	-	60-75	-	-	-	-	10	8	06727505	•	
	8/120	CLAG	-	70-85	-	-	-	-	10	8	06727506	•	
	8/130	CLAG	-	80-95	-	-	-	-	10	8	06727549	•	
	8/140	CLAG	-	90-105	-	-	-	-	10	8	06727550	•	

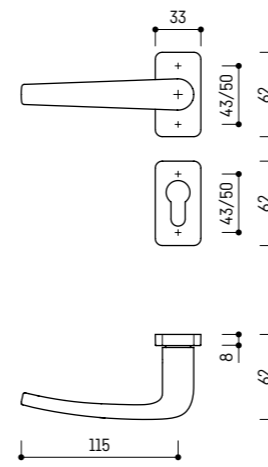
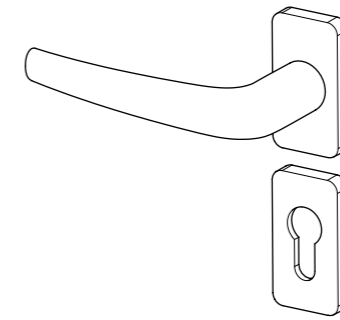
MIDA

design Leo De Carlo

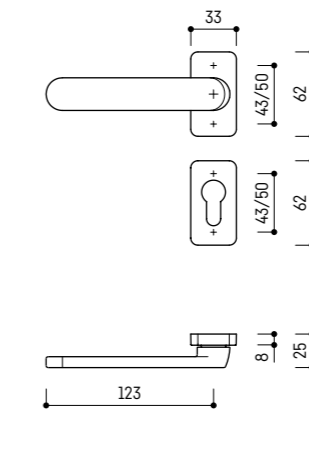


MANIGLIA PER PORTE ESTERNE - SUPPORTO 33x60x8mm_EXTERNAL DOORS HANDLE - SUPPORT 33x60x8mm

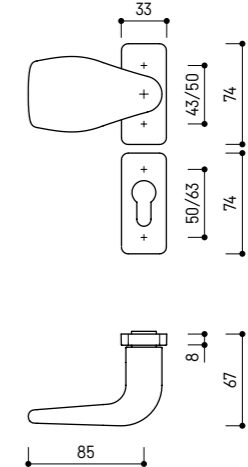
CARATTERISTICHE_FEATURES				FISSAGGIO_FIXING				FINITURE_FINISHES				OPZIONI_OPTIONS			



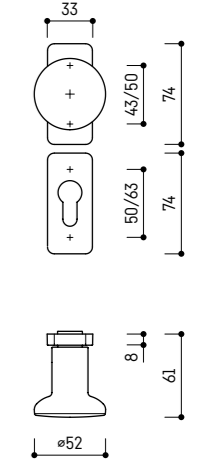
STANDARD



REDUCED



LOFT KNOB
(FIXED)



ROUND KNOB
(FIXED)

VERSIONI DISPONIBILI_AVAILABLE VERSIONS

					<p>Per una descrizione dettagliata di tutte le specifiche tecniche presenti nel prodotto, da impiegare nei capitolati o nelle offerte pubbliche, fate riferimento alla sezione CAPITOLATI. For a detailed description of all the technical informations contained in the product, to be used in the specifications or in public tenders, please refer to the SPECIFICATIONS section.</p> <p>NORMA EN 1906_EN 1906 NORM 4 7 - 0 0 5 0 B</p>



Opzioni_Options

IRON

Supporto_Support

Ferro uscita emergenza EN-179_Emergency exit EN-179 spindle

EN-179	8-9-8/140	8-9-8/150	8-9-8/160	8-9-8/180	8-9-8/185	8-9-8/195	10	8	06727538	MECHANISM	26

Opzioni_Options

IRON

Supporto_Support

1/2 ferro ancora_1/2 anchor spindle

	8/60	8/70	8/80	8/90	8/100	7/60	7/70	7/80	7/90	7/100	MECHANISM	26

LOFT pomolo fisso_fixed knob

design Leo De Carlo

ALU

Supporto_Support

33x60x8mm

7* or 8*	7	8	F1	F9	ENOX	RAL 9005 GLOSS 6% BLACK	RAL 9004 GLOSS 85% WHITE SIGNAL	RAL 9001 GLOSS 85% PURE WHITE	BVD* WHITE	BVD* NOIR	RAL 7014 GLOSS 85% ANTHRACITE	RAL 7035 GLOSS 85% LIGHT GREY	RAL 8003 GLOSS 85% CLAY BROWN	RAL 1015 GLOSS 85% IVORY	RAL 8707 GLOSS 85% DARK BROWN

ROUND pomolo fisso_fixed knob

design Leo De Carlo

ALU

Supporto_Support

33x60x8mm

7* or 8*	7	8	F1	F9	ENOX	RAL 9005 GLOSS 6% BLACK	RAL 9004 GLOSS 85% WHITE SIGNAL	RAL 9001 GLOSS 85% PURE WHITE	BVD* WHITE	BVD* NOIR	RAL 7014 GLOSS 85% ANTHRACITE	RAL 7035 GLOSS 85% LIGHT GREY	RAL 8003 GLOSS 85% CLAY BROWN	RAL 1015 GLOSS 85% IVORY	RAL 8707 GLOSS 85% DARK BROWN

Opzioni_Options

IRON

Supporto_Support

1/2 ferro per pomolo fisso_1/2 fixed knob spindle

	7/90	7/100	7/110	7/120	7/130	7/140	8/90	8/100	8/110	8/120	8/130	8/140	MECHANISM	26

Opzioni_Options

ALU

Supporto_Support

Maniglia singola_Single handle

7	8	F1	F9	ENOX	RAL 9005 GLOSS 6% BLACK	RAL 9004 GLOSS 85% WHITE SIGNAL	RAL 9001 GLOSS 85% PURE WHITE	BVD* WHITE	BVD* NOIR	RAL 7014 GLOSS 85% ANTHRACITE	RAL 7035 GLOSS 85% LIGHT GREY	RAL 8003 GLOSS 85% CLAY BROWN	RAL 1015 GLOSS 85% IVORY	RAL 8707 GLOSS 85% DARK BROWN

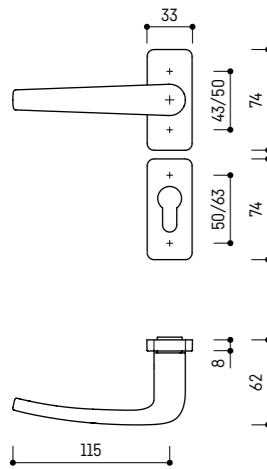
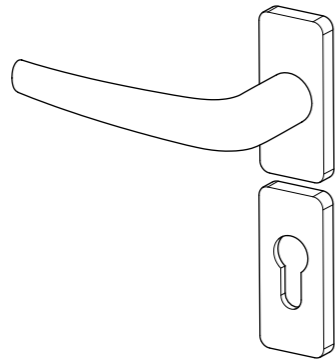
MIDA

design Leo De Carlo

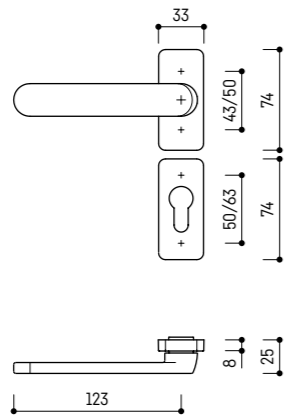


MANIGLIA PER PORTE ESTERNE - SUPPORTO 33x74x8mm_EXTERNAL DOORS HANDLE - SUPPORT 33x74x8mm

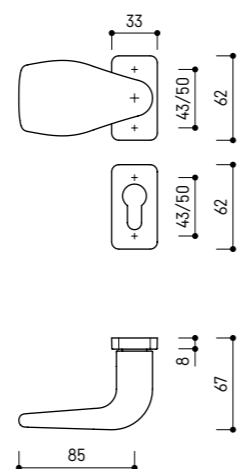
CARATTERISTICHE_FEATURES					FISSAGGIO_FIXING						FINITURE_FINISHES						OPZIONI_OPTIONS				



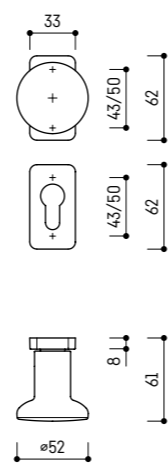
STANDARD



REDUCED



LOFT KNOB
(FIXED)



ROUND KNOB
(FIXED)

VERSIONI DISPONIBILI_AVAILABLE VERSIONS					CAPITOLATO_SPECIFICATION EN-1906 ⁴
					<p>Per una descrizione dettagliata di tutte le specifiche tecniche presenti nel prodotto, da impiegare nei capitolati o nelle offerte pubbliche, fate riferimento alla sezione CAPITOLATI. for a detailed description of all the technical informations contained in the product, to be used in the specifications or in public tenders, please refer to the SPECIFICATIONS section.</p> <p>NORMA EN 1906 _EN 1906 NORM</p> <p>4 7 - 0 0 5 0 B</p>

MIDA

design Leo De Carlo



ALU

Supporto_Support

33x74x8mm

											97	4B	77	33	22	67	02	04	78	82	80	81	96	97	4B
	8"				-	3,9x25	43/50	-	-	24	2	16004037													
	8/170				60-90	3,9x25	43/50	-	-	24	1	16004002													
	8/170				60-90	3,9x25	43/50 50/63	-	-	24	1	16004003													
	-	-	-		-	3,9x25	50/63	-	-	24	4	06525140													
	8/110				45-60	3,9x25	43/50	-	-	24	1	17904001													
	8/125				60-75	3,9x25	43/50	-	-	24	1	17904002													
	8/140				75-90	3,9x25	43/50	-	-	24	1	17904003													

Opzioni_Options

IRON

Supporto_Support

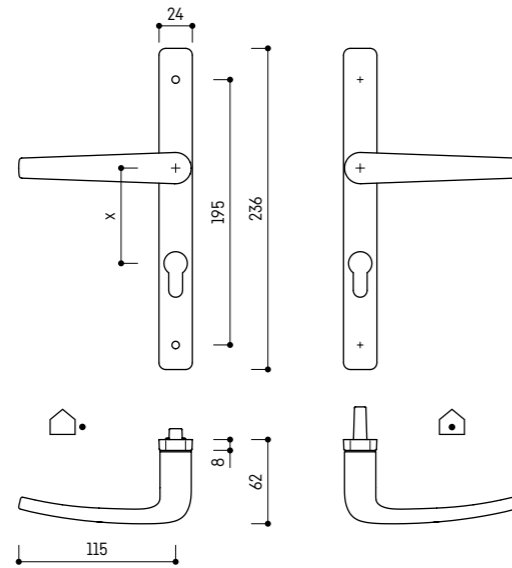
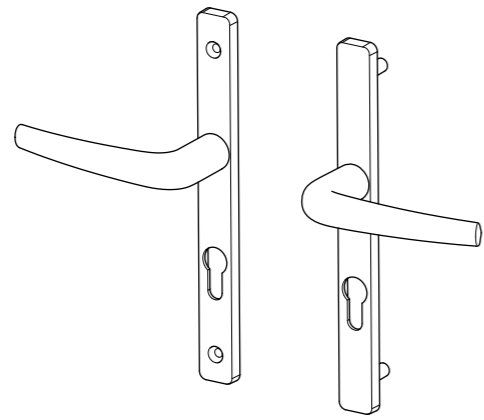
Ferro standard_Standard spindle

											MECHANISM													
	7/140		-	30-70	-	-	-	-	-	-	10	8	06727634											
	7/150		-	40-80	-	-	-	-	-	-	10	8	06727485											
	7/160		-	50-90	-	-	-	-	-	-	10	8	06727635											
	7/180		-	70-110	-	-	-	-	-	-	10	8	06727199											
	7/185		-	75-115	-	-	-	-	-	-	10	8	06727200											
	7/195		-	85-125	-	-	-	-	-	-	10	8	06727201											
	8/140		-	30-70	-	-	-	-	-	-	10	8	06727422											
	8/150		-	40-80	-	-	-	-	-	-	10	8	06727643											
	8/160		-	50-90	-	-	-	-	-	-	10	8	06727996											
	8/180		-	70-110	-	-	-	-	-	-	10	8	06727466											
	8/185		-	75-115	-	-	-	-	-	-	10	8	06727499											
	8/195		-	85-125	-	-	-	-	-	-	10	8	06727500											



SET PLACCA - SUPPORTO 24x235x8mm_PLATE SET - SUPPORT 24x235x8mm

CARATTERISTICHE_FEATURES				FISSAGGIO_FIXING				FINITURE_FINISHES				OPZIONI_OPTIONS							
B	CLAQ	R	100							CLASS 5	CLASS 5	CLASS 5	CLASS 5	PVD			REI-60	EN-179	IP-65



											L				L L								
											F1	FP	ENOX	RAL 9005 GLOSS 65% BLACK	RAL 9006 GLOSS 85% WHITE SIGNAL	RAL 9010 GLOSS 85% PURE WHITE	BIO* WHITE	BIO* NOIR	RAL 7016 GLOSS 85% ANTHRACITE	RAL 7035 GLOSS 85% LIGHT GREY	RAL 8003 GLOSS 85% CLAY BROWN	RAL 1015 GLOSS 85% IVORY	RAL 8777 GLOSS 85% DARK BROWN
											97	4B	77	33	22	67	02	04	78	82	80	81	96
8/130				40-60	M5x35 M5x65	195	ø10	92	24	1	16076045	●	●	●	●	●	●	●	●	●	●	●	●
8/150				60-80	M5x55 M5x85	195	ø10	92	24	1	16076014	●	●	●	●	●	●	●	●	●	●	●	●
8/130				40-60	M5x35 M5x65	195	ø10	85	24	1	16076046	●	●	●	●	●	●	●	●	●	●	●	●
8/150				60-80	M5x55 M5x85	195	ø10	85	24	1	16076047	●	●	●	●	●	●	●	●	●	●	●	●
7/130				40-60	M5x35 M5x65	195	ø10	70	24	1	16076048	●	●	●	●	●	●	●	●	●	●	●	●
7/150				60-80	M5x55 M5x85	195	ø10	70	24	1	16076032	●	●	●	●	●	●	●	●	●	●	●	●

VERSIONI DISPONIBILI_AVAILABLE VERSIONS

CAPITOLATO_SPECIFICATION



Per una descrizione dettagliata di tutte le specifiche tecniche presenti nel prodotto, da impiegare nei capitolati o nelle offerte pubbliche, fate riferimento alla sezione CAPITOLATI for a detailed description of all the technical informations contained in the product, to be used in the specifications or in public tenders, please refer to the SPECIFICATIONS section.

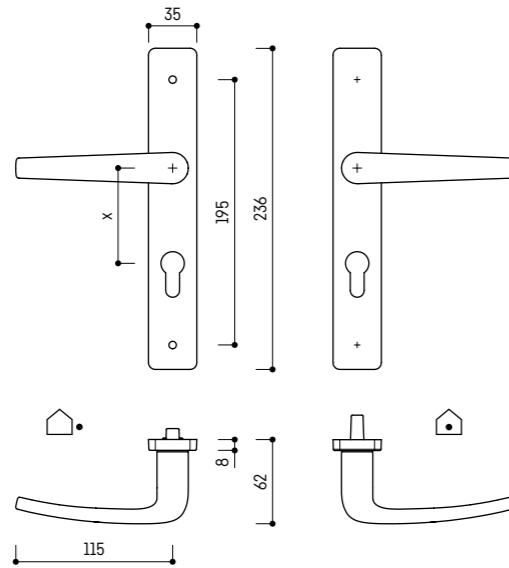
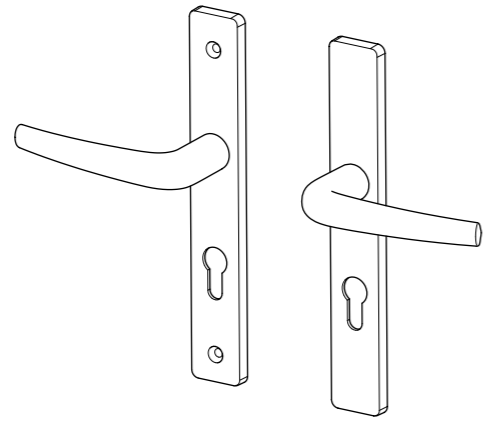
NORMA EN 1906 _EN 1906 NORM

4 | 7 | - | 0 | 0 | 5 | 0 | B



SET PLACCA - SUPPORTO 35x235x8mm_PLATE SET - SUPPORT 35x235x8mm

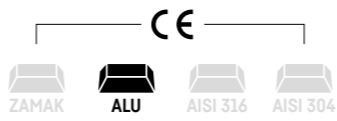
CARATTERISTICHE_FEATURES				FISSAGGIO_FIXING				FINITURE_FINISHES				OPZIONI_OPTIONS					



											L				L L									
											F1	FP	EN0X	RAL 9005 GLOSS 65% BLACK	RAL 9006 GLOSS 85% WHITE SIGNAL	RAL 9010 GLOSS 85% PURE WHITE	BIO* WHITE	BIO* NOIR	RAL 7016 GLOSS 85% ANTHRACITE	RAL 7035 GLOSS 85% LIGHT GREY	RAL 8003 GLOSS 85% CLAY BROWN	RAL 1015 GLOSS 85% IVORY	RAL 8777 GLOSS 85% DARK BROWN	
8/130				40-60	M5x35 M5x65	195	ø10	92	24	1	16075001	●	●	●	●	●	●	●	●	●	●	●	●	●
8/150				60-80	M5x55 M5x85	195	ø10	92	24	1	16075002	●	●	●	●	●	●	●	●	●	●	●	●	●
8/130				40-60	M5x35 M5x65	195	ø10	85	24	1	16075003	●	●	●	●	●	●	●	●	●	●	●	●	●
8/150				60-80	M5x55 M5x85	195	ø10	85	24	1	16075004	●	●	●	●	●	●	●	●	●	●	●	●	●
7/130				40-60	M5x35 M5x65	195	ø10	70	24	1	16075005	●	●	●	●	●	●	●	●	●	●	●	●	●
7/150				60-80	M5x55 M5x85	195	ø10	70	24	1	16075006	●	●	●	●	●	●	●	●	●	●	●	●	●

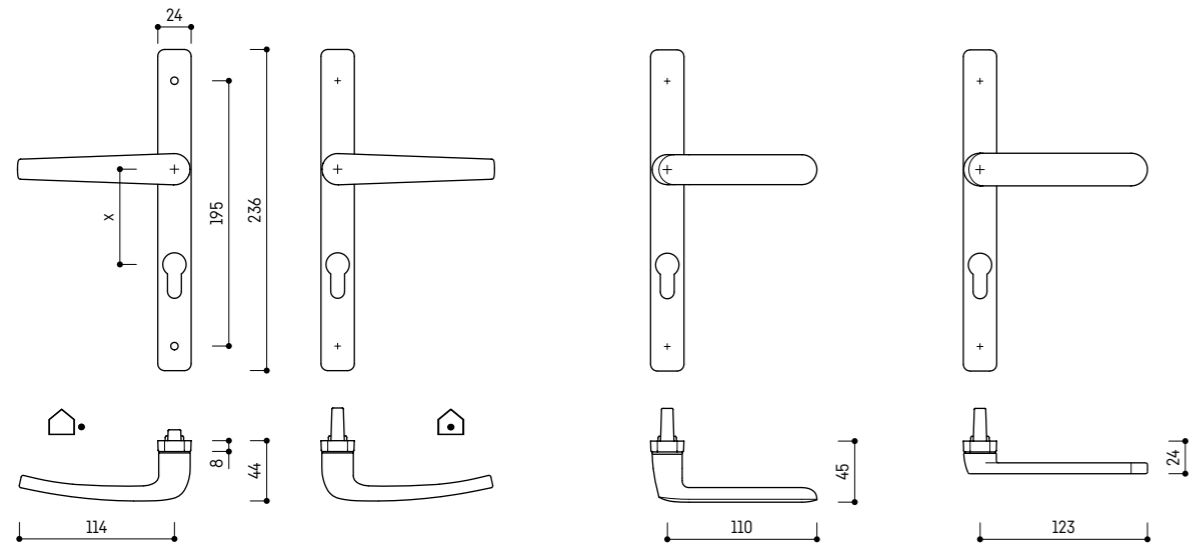
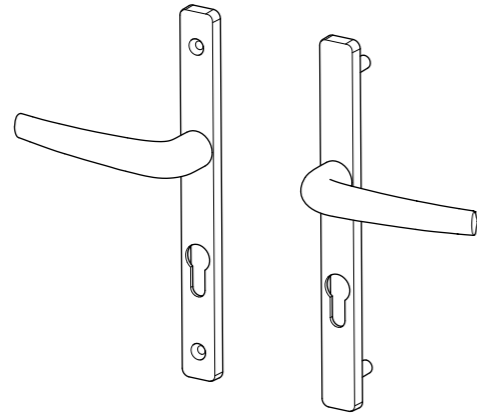
VERSIONI DISPONIBILI_AVAILABLE VERSIONS

					<p>CAPITOLATO_SPECIFICATION </p> <p>Per una descrizione dettagliata di tutte le specifiche tecniche presenti nel prodotto, da impiegare nei capitolati o nelle offerte pubbliche, fate riferimento alla sezione CAPITOLATI for a detailed description of all the technical informations contained in the product, to be used in the specifications or in public tenders, please refer to the SPECIFICATIONS section.</p> <p>NORMA EN 1906 _EN 1906 NORM</p> <p>4 7 - 0 0 5 0 B</p>
--	--	--	--	--	--



SET PLACCA - SUPPORTO 24x235x8mm PLATE SET - SUPPORT 24x235x8mm

CARATTERISTICHE_FEATURES				FISSAGGIO_FIXING				FINITURE_FINISHES						OPZIONI_OPTIONS					



STANDARD

ANTI-COLLISION

REDUCED

											L				L L								
											F1	FP	ENDX	RAL 9005 GLOSS 65% BLACK	RAL 9006 GLOSS 85% WHITE SIGNAL	RAL 9010 GLOSS 85% PURE WHITE	BIO* WHITE	BIO* NOIR	RAL 7016 GLOSS 85% ANTHRACITE	RAL 7035 GLOSS 85% LIGHT GREY	RAL 8003 GLOSS 85% CLAY BROWN	RAL 1015 GLOSS 85% IVORY	RAL 8717 GLOSS 85% DARK BROWN
	8/150			M5x35 M5x65	195	ø10	92	24	4	16076003	●	●	-	●	●	●	-	-	●	-	-	-	-
	8/150			M5x35 M5x65	195	ø10	85	24	4	16076049	●	●	-	●	●	●	-	-	●	-	-	-	-
	7/150			M5x55 M5x85	195	ø10	70	24	4	16076007	●	●	-	●	●	●	-	-	●	-	-	-	-
	8/150			M5x35 M5x65	195	ø10	92	24	4	18576001	●	●	-	●	●	●	-	-	●	-	-	-	-
	8/150			M5x35 M5x65	195	ø10	85	24	4	18576002	●	●	-	●	●	●	-	-	●	-	-	-	-
	7/150			M5x55 M5x85	195	ø10	70	24	4	18576003	●	●	-	●	●	●	-	-	●	-	-	-	-
	8/130			M5x55 M5x85	195	ø10	92	24	4	16076054	●	●	-	●	●	●	-	-	●	-	-	-	-
	8/130			M5x70 M5x95	195	ø10	92	24	4	16076055	●	●	-	●	●	●	-	-	●	-	-	-	-
	8/130			M5x55 M5x80	195	ø10	85	24	4	16076056	●	●	-	●	●	●	-	-	●	-	-	-	-
	8/130			M5x70 M5x95	195	ø10	85	24	4	16076057	●	●	-	●	●	●	-	-	●	-	-	-	-
	7/150			M5x55 M5x85	195	ø10	70	24	4	16076051	●	●	-	●	●	●	-	-	●	-	-	-	-
	7/150			M5x70 M5x95	195	ø10	70	24	4	16076052	●	●	-	●	●	●	-	-	●	-	-	-	-

VERSIONI DISPONIBILI_AVAILABLE VERSIONS

CAPITOLATO_SPECIFICATION



Per una descrizione dettagliata di tutte le specifiche tecniche presenti nel prodotto, da impiegare nei capitolati o nelle offerte pubbliche, fate riferimento alla sezione CAPITOLATI for a detailed description of all the technical informations contained in the product, to be used in the specifications or in public tenders, please refer to the SPECIFICATIONS section.

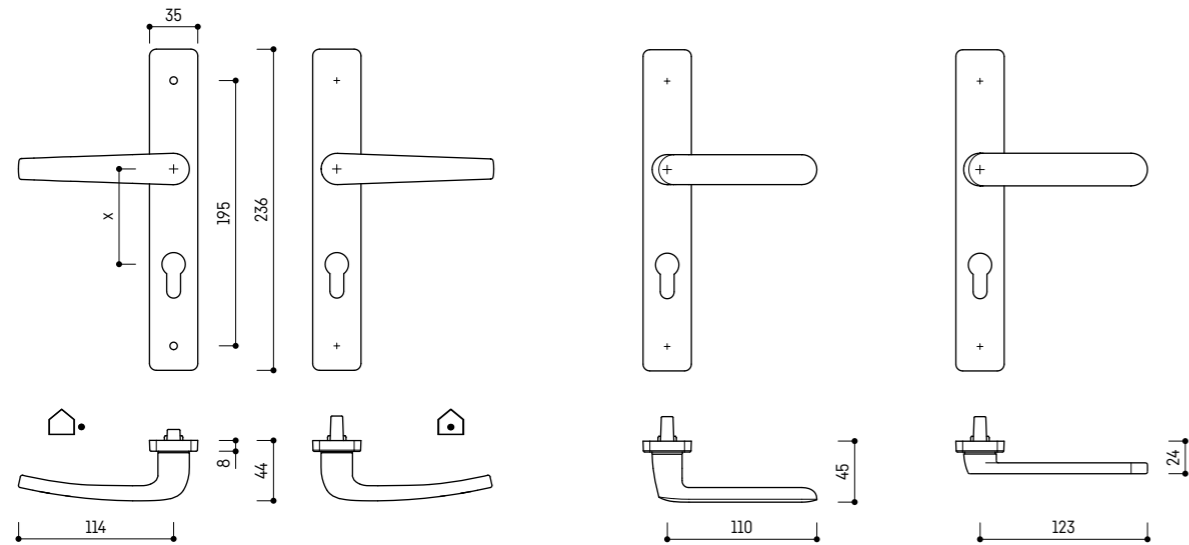
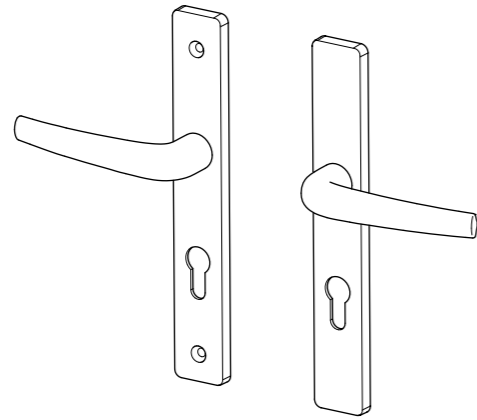
NORMA EN 1906 _EN 1906 NORM

3 | 7 | - | 0 | 0 | 5 | 0 | B



SET PLACCA - SUPPORTO 35x235x8mm_PLATE SET - SUPPORT 35x235x8mm

CARATTERISTICHE_FEATURES				FISSAGGIO_FIXING				FINITURE_FINISHES						OPZIONI_OPTIONS					



STANDARD

ANTI-COLLISION

REDUCED

											L				L L								
											F1	FP	ENDX	RAL 9005 GLOSS 65% BLACK	RAL 9006 GLOSS 85% WHITE SIGNAL	RAL 9010 GLOSS 85% PURE WHITE	BIO* WHITE	BIO* NOIR	RAL 7016 GLOSS 85% ANTHRACITE	RAL 7035 GLOSS 85% LIGHT GREY	RAL 8003 GLOSS 85% CLAY BROWN	RAL 1015 GLOSS 85% IVORY	RAL 8717 GLOSS 85% DARK BROWN
	8/150			M5x35 M5x65	195	ø10	92	24	4	16075007	●	●	-	●	●	●	-	-	●	-	-	-	-
	8/150			M5x35 M5x65	195	ø10	85	24	4	16075008	●	●	-	●	●	●	-	-	●	-	-	-	-
	7/150			M5x55 M5x85	195	ø10	70	24	4	16075009	●	●	-	●	●	●	-	-	●	-	-	-	-
	8/150			M5x35 M5x65	195	ø10	92	24	4	18575001	●	●	-	●	●	●	-	-	●	-	-	-	-
	8/150			M5x35 M5x65	195	ø10	85	24	4	18575002	●	●	-	●	●	●	-	-	●	-	-	-	-
	7/150			M5x55 M5x85	195	ø10	70	24	4	18575003	●	●	-	●	●	●	-	-	●	-	-	-	-
	8/130			M5x55 M5x85	195	ø10	92	24	4	16075010	●	●	-	●	●	●	-	-	●	-	-	-	-
	8/130			M5x70 M5x95	195	ø10	92	24	4	16075011	●	●	-	●	●	●	-	-	●	-	-	-	-
	8/130			M5x55 M5x80	195	ø10	85	24	4	16075012	●	●	-	●	●	●	-	-	●	-	-	-	-
	8/130			M5x70 M5x95	195	ø10	85	24	4	16075013	●	●	-	●	●	●	-	-	●	-	-	-	-
	7/150			M5x55 M5x85	195	ø10	70	24	4	16075014	●	●	-	●	●	●	-	-	●	-	-	-	-
	7/150			M5x70 M5x95	195	ø10	70	24	4	16075015	●	●	-	●	●	●	-	-	●	-	-	-	-

VERSIONI DISPONIBILI_AVAILABLE VERSIONS

--	--	--	--	--

CAPITOLATO_SPECIFICATION



Per una descrizione dettagliata di tutte le specifiche tecniche presenti nel prodotto, da impiegare nei capitolati o nelle offerte pubbliche, fate riferimento alla sezione CAPITOLATI for a detailed description of all the technical informations contained in the product, to be used in the specifications or in public tenders, please refer to the SPECIFICATIONS section.

NORMA EN 1906_EN 1906 NORM

3 | 7 | - | 0 | 0 | 5 | 0 | B

ROUND pomolo fisso_fixed knob

design Leo De Carlo

ALU
Supporto_Support 33x60x8mm

	■	+	🔧	🔓	🔑	🔒	🔌	🔩	🔨	📐	📏	🔌		⚙️																
												FI	FP	ENDX	RAL 9005 GLOSS 6% BLACK	RAL 9006 GLOSS 85% WHITE SIGNAL	RAL 9010 GLOSS 85% PURE WHITE	BODY* WHITE	BODY* NOIR	RAL 7014 GLOSS 85% ANTHRACITE	RAL 7035 GLOSS 85% LIGHT GREY	RAL 8003 GLOSS 85% CLAY BROWN	RAL 1015 GLOSS 85% IVORY	RAL 8707 GLOSS 85% DARK BROWN	97	4B	77	33	22	67
7* or 8*	🔴 CLAG	⊖	-	-	3,9x25	43/50	-	-	12	2	19770001	●	●	●	●	●	●	●	●	●	●	●	●	●	●	●	●	●	●	●

Opzioni_Options -

IRON
Supporto_Support 1/2 ferro per pomolo fisso_1/2 fixed knob spindle

	■	+	🔧	🔓	🔑	🔒	🔌	🔩	🔨	📐	📏	⚙️		⚙️																
												MECHANISM	26	97	4B	77	33	22	67	02	04	78	82	80	81	96				
7/90	🔴 CLAG	-	45-55	-	-	-	-	10	8	06727507	●	●	●	●	●	●	●	●	●	●	●	●	●	●	●	●	●	●	●	
7/100	🔴 CLAG	-	50-65	-	-	-	-	10	8	06727508	●	●	●	●	●	●	●	●	●	●	●	●	●	●	●	●	●	●	●	●
7/110	🔴 CLAG	-	60-75	-	-	-	-	10	8	06727509	●	●	●	●	●	●	●	●	●	●	●	●	●	●	●	●	●	●	●	●
7/120	🔴 CLAG	-	70-85	-	-	-	-	10	8	06727510	●	●	●	●	●	●	●	●	●	●	●	●	●	●	●	●	●	●	●	●
7/130	🔴 CLAG	-	80-95	-	-	-	-	10	8	06727551	●	●	●	●	●	●	●	●	●	●	●	●	●	●	●	●	●	●	●	●
7/140	🔴 CLAG	-	90-105	-	-	-	-	10	8	06727552	●	●	●	●	●	●	●	●	●	●	●	●	●	●	●	●	●	●	●	●
8/90	🔴 CLAG	-	45-55	-	-	-	-	10	8	06727503	●	●	●	●	●	●	●	●	●	●	●	●	●	●	●	●	●	●	●	●
8/100	🔴 CLAG	-	50-65	-	-	-	-	10	8	06727504	●	●	●	●	●	●	●	●	●	●	●	●	●	●	●	●	●	●	●	●
8/110	🔴 CLAG	-	60-75	-	-	-	-	10	8	06727505	●	●	●	●	●	●	●	●	●	●	●	●	●	●	●	●	●	●	●	●
8/120	🔴 CLAG	-	70-85	-	-	-	-	10	8	06727506	●	●	●	●	●	●	●	●	●	●	●	●	●	●	●	●	●	●	●	●
8/130	🔴 CLAG	-	80-95	-	-	-	-	10	8	06727549	●	●	●	●	●	●	●	●	●	●	●	●	●	●	●	●	●	●	●	●
8/140	🔴 CLAG	-	90-105	-	-	-	-	10	8	06727550	●	●	●	●	●	●	●	●	●	●	●	●	●	●	●	●	●	●	●	●

Opzioni_Options -

ALU
Supporto_Support Maniglia singola_Single handle

	■	+	🔧	🔓	🔑	🔒	🔌	🔩	🔨	📐	📏	🔌		⚙️																	
												FI	FP	ENDX	RAL 9005 GLOSS 6% BLACK	RAL 9006 GLOSS 85% WHITE SIGNAL	RAL 9010 GLOSS 85% PURE WHITE	BODY* WHITE	BODY* NOIR	RAL 7014 GLOSS 85% ANTHRACITE	RAL 7035 GLOSS 85% LIGHT GREY	RAL 8003 GLOSS 85% CLAY BROWN	RAL 1015 GLOSS 85% IVORY	RAL 8707 GLOSS 85% DARK BROWN	97	4B	77	33	22	67	02
7	🔴 CLAG	-	-	-	-	-	-	-	24	4	15950001	●	●	●	●	●	●	●	●	●	●	●	●	●	●	●	●	●	●	●	
8	🔴 CLAG	-	-	-	-	-	-	-	24	4	15950002	●	●	●	●	●	●	●	●	●	●	●	●	●	●	●	●	●	●	●	●

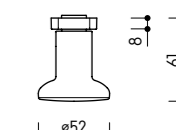
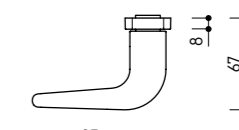
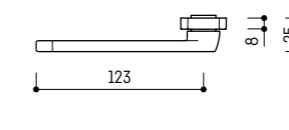
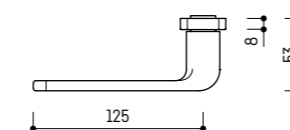
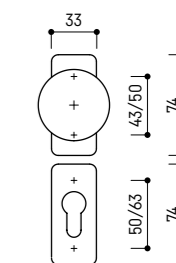
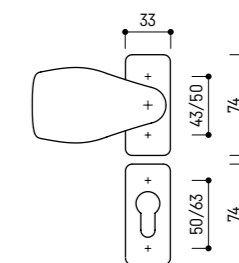
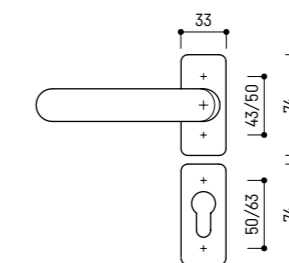
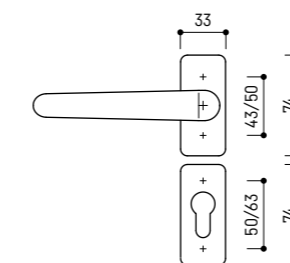
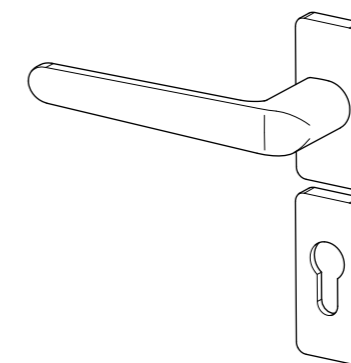
ELIOS

design Ufficio Tecnico Opentech

CE
ZAMAK ALU AISI 316 AISI 304

MANIGLIA PER PORTE ESTERNE - SUPPORTO 33x74x8mm_EXTERNAL DOORS HANDLE - SUPPORT 33x74x8mm

CARATTERISTICHE_FEATURES				FISSAGGIO_FIXING					FINITURE_FINISHES						OPZIONI_OPTIONS					
B	🔴 CLAG	R	W	🔩	🔩	🔩	🔩	🔩	🔩	🔩	304 CLASS 5	316 CLASS 5	CLASS 5	CLASS 5	CLASS 5	CLASS 5	+	REI-60	EN-179	IP-45



STANDARD

REDUCED

LOFT KNOB (FIXED)

ROUND KNOB (FIXED)

VERSIONI DISPONIBILI_AVAILABLE VERSIONS

CAPITOLATO_SPECIFICATION

Per una descrizione dettagliata di tutte le specifiche tecniche presenti nel prodotto, da impiegare nei capitolati o nelle offerte pubbliche, fate riferimento alla sezione CAPITOLATI. For a detailed description of all the technical informations contained in the product, to be used in the specifications or in public tenders, please refer to the SPECIFICATIONS section.

NORMA EN 1906_EN 1906 NORM

4 | 7 | - | 0 | 0 | 5 | 0 | B

ROUND pomolo fisso_fixed knob

design Leo De Carlo

ALU

Supporto_Support

33x74x8mm

	<div style="display: flex; justify-content: space-around;"> 97487733226702047882808196 </div>																								
	<div style="display: flex; justify-content: space-around;"> FIFPENDXRAL 9005 GLOSS 6% BLACKRAL 9006 GLOSS 85% WHITE SIGNALRAL 9010 GLOSS 85% PURE WHITEBODY* WHITEBODY* NOIRRAL 7044 GLOSS 85% ANTHRACITERAL 7035 GLOSS 85% LIGHT GREYRAL 8003 GLOSS 85% CLAY BROWNRAL 1015 GLOSS 85% IVORYRAL 8707 GLOSS 85% DARK BROWN </div>																								
7* or 8*	CLAG			3,9x25	43/50			12	2	19704001															

Opzioni_Options

-



IRON

Supporto_Support

1/2 ferro per pomolo fisso_1/2 fixed knob spindle

	<div style="display: flex; justify-content: space-around;"> MECHANISM </div>																								
	<div style="display: flex; justify-content: space-around;"> 26 </div>																								
7/90	CLAG		45-55					10	8	06727507															
7/100	CLAG		50-65					10	8	06727508															
7/110	CLAG		60-75					10	8	06727509															
7/120	CLAG		70-85					10	8	06727510															
7/130	CLAG		80-95					10	8	06727551															
7/140	CLAG		90-105					10	8	06727552															
8/90	CLAG		45-55					10	8	06727503															
8/100	CLAG		50-65					10	8	06727504															
8/110	CLAG		60-75					10	8	06727505															
8/120	CLAG		70-85					10	8	06727506															
8/130	CLAG		80-95					10	8	06727549															
8/140	CLAG		90-105					10	8	06727550															

Opzioni_Options

-



ALU

Supporto_Support

Maniglia singola_Single handle

	<div style="display: flex; justify-content: space-around;"> 97487733226702047882808196 </div>																								
	<div style="display: flex; justify-content: space-around;"> FIFPENDXRAL 9005 GLOSS 6% BLACKRAL 9006 GLOSS 85% WHITE SIGNALRAL 9010 GLOSS 85% PURE WHITEBODY* WHITEBODY* NOIRRAL 7044 GLOSS 85% ANTHRACITERAL 7035 GLOSS 85% LIGHT GREYRAL 8003 GLOSS 85% CLAY BROWNRAL 1015 GLOSS 85% IVORYRAL 8707 GLOSS 85% DARK BROWN </div>																								
7	CLAG							24	4	15950001															
8	CLAG							24	4	15950002															

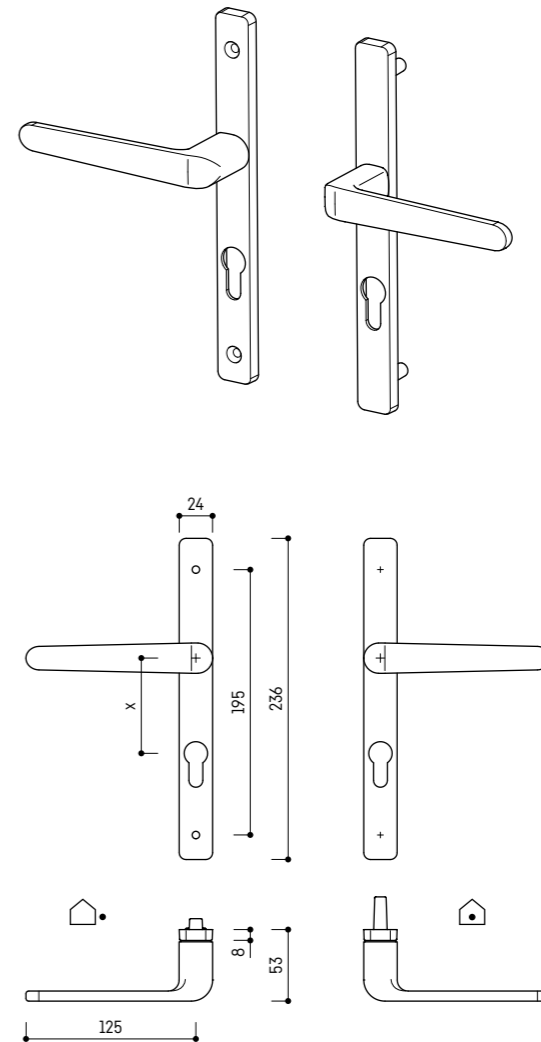
ELIOS

design Ufficio Tecnico Opentech



SET PLACCA - SUPPORTO 24x235x8mm_PLATE SET - SUPPORT 24x235x8mm

CARATTERISTICHE_FEATURES				FISSAGGIO_FIXING					FINITURE_FINISHES				OPZIONI_OPTIONS							



VERSIONI DISPONIBILI_AVAILABLE VERSIONS

						CAPITOLATO_SPECIFICATION		<p>Per una descrizione dettagliata di tutte le specifiche tecniche presenti nel prodotto, da impiegare nei capitolati o nelle offerte pubbliche, fate riferimento alla sezione CAPITOLATI. For a detailed description of all the technical informations contained in the product, to be used in the specifications or in public tenders, please refer to the SPECIFICATIONS section.</p> <p>NORMA EN 1906 _EN 1906 NORM</p> <p>4 7 - 0 0 5 0 B</p>



ELIOS design Ufficio Tecnico Opentech



ALU

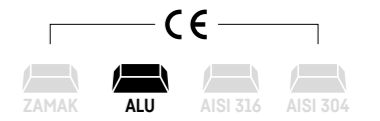
Supporto_Support

24x235x8mm

C	S	D	R	K	M	P	H	L	I	B	L																		
											97	4B	77	33	22	67	02	04	78	82	80	81	96						
8/130					40-60	M5x35 M5x65	195	ø10	92	24	1	15976045	●	●	●	●	●	●	●	●	●	●	●	●	●	●	●	●	
8/150					60-80	M5x55 M5x85	195	ø10	92	24	1	15976013	●	●	●	●	●	●	●	●	●	●	●	●	●	●	●	●	●
8/130					40-60	M5x35 M5x65	195	ø10	85	24	1	15976046	●	●	●	●	●	●	●	●	●	●	●	●	●	●	●	●	●
8/150					60-80	M5x55 M5x85	195	ø10	85	24	1	15976047	●	●	●	●	●	●	●	●	●	●	●	●	●	●	●	●	●
7/130					40-60	M5x35 M5x65	195	ø10	70	24	1	15976048	●	●	●	●	●	●	●	●	●	●	●	●	●	●	●	●	●
7/150					60-80	M5x55 M5x85	195	ø10	70	24	1	15976032	●	●	●	●	●	●	●	●	●	●	●	●	●	●	●	●	●

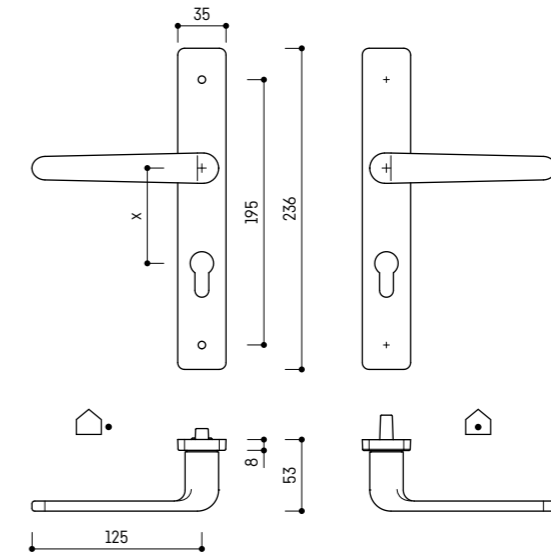
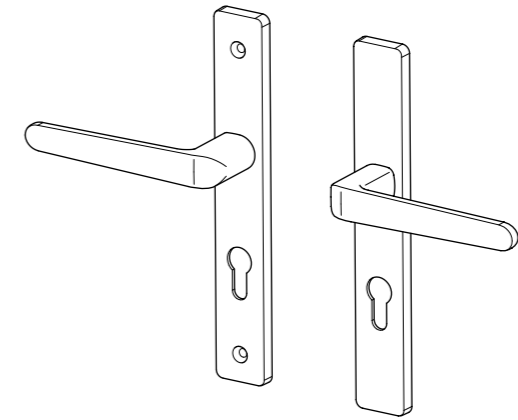
ELIOS

design Ufficio Tecnico Opentech



SET PLACCA - SUPPORTO 35x235x8mm_PLATE SET - SUPPORT 35x235x8mm

CARATTERISTICHE_FEATURES				FISSAGGIO_FIXING						FINITURE_FINISHES				OPZIONI_OPTIONS					



VERSIONI DISPONIBILI_AVAILABLE VERSIONS

CAPITOLATO_SPECIFICATION

					<p>Per una descrizione dettagliata di tutte le specifiche tecniche presenti nel prodotto, da impiegare nei capitolati o nelle offerte pubbliche, fate riferimento alla sezione CAPITOLATI. For a detailed description of all the technical informations contained in the product, to be used in the specifications or in public tenders, please refer to the SPECIFICATIONS section.</p>
	<p>NORMA EN 1906_EN 1906 NORM</p> <p>4 7 - 0 0 5 0 B</p>				

ELIOS



design Ufficio Tecnico Opentech

ALU

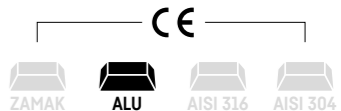
Supporto_Support

35x235x8mm

	■	+	⊛	⌒	X	X	⊘	⊘	⊘	⊘	●								● ●																			
											F1	4B	77	33	22	67	02	04	78	82	80	81	96															
8/130	●	●	●	40-60	M5x35 M5x65	195	⌀10	92	24	1	15975001	●	●	●	●	●	●	●	●	●	●	●	●	●	●	●	●	●	●	●	●	●	●	●	●	●	●	
8/150	●	●	●	60-80	M5x55 M5x85	195	⌀10	92	24	1	15975002	●	●	●	●	●	●	●	●	●	●	●	●	●	●	●	●	●	●	●	●	●	●	●	●	●		
8/130	●	●	●	40-60	M5x35 M5x65	195	⌀10	85	24	1	15975003	●	●	●	●	●	●	●	●	●	●	●	●	●	●	●	●	●	●	●	●	●	●	●	●	●	●	
8/150	●	●	●	60-80	M5x55 M5x85	195	⌀10	85	24	1	15975004	●	●	●	●	●	●	●	●	●	●	●	●	●	●	●	●	●	●	●	●	●	●	●	●	●	●	●
7/130	●	●	●	40-60	M5x35 M5x65	195	⌀10	70	24	1	15975005	●	●	●	●	●	●	●	●	●	●	●	●	●	●	●	●	●	●	●	●	●	●	●	●	●	●	●
7/150	●	●	●	60-80	M5x55 M5x85	195	⌀10	70	24	1	15975006	●	●	●	●	●	●	●	●	●	●	●	●	●	●	●	●	●	●	●	●	●	●	●	●	●	●	●

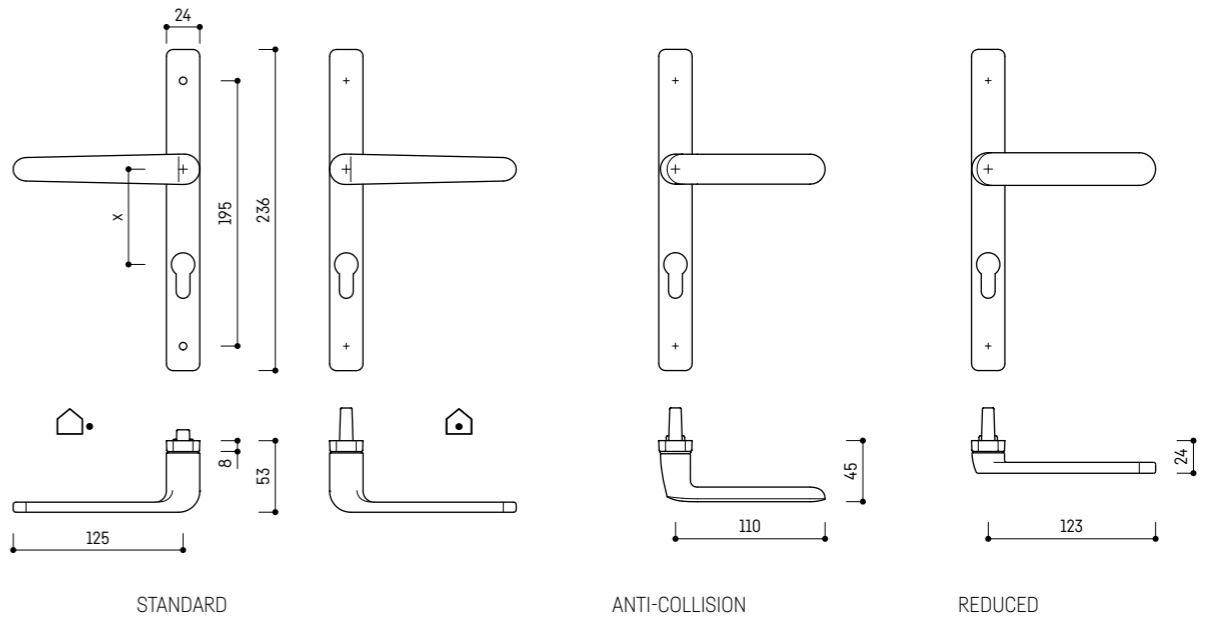
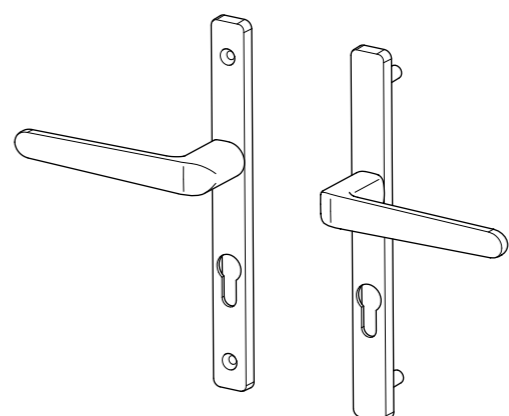
ELIOS

design Ufficio Tecnico Opentech



SET PLACCA - SUPPORTO 24x235x8mm_PLATE SET - SUPPORT 24x235x8mm

CARATTERISTICHE_FEATURES				FISSAGGIO_FIXING				FINITURE_FINISHES					OPZIONI_OPTIONS																											
●	●	●	●	●	●	●	●	●	●	●	●	●	●	●	●	●	●	●	●	●	●	●	●	●	●	●	●	●	●	●	●	●	●	●	●	●	●	●	●	●



VERSIONI DISPONIBILI_AVAILABLE VERSIONS

CAPITOLATO_SPECIFICATION

Per una descrizione dettagliata di tutte le specifiche tecniche presenti nel prodotto, da impiegare nei capitolati o nelle offerte pubbliche, fate riferimento alla sezione CAPITOLATI. For a detailed description of all the technical informations contained in the product, to be used in the specifications or in public tenders, please refer to the SPECIFICATIONS section.

NORMA EN 1906_EN 1906 NORM
3 | 7 | - | 0 | 0 | 5 | 0 | B

ELIOS

design Ufficio Tecnico Opentech



ALU

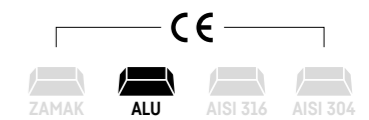
Supporto_Support

24x235x8mm

	■	+	+	+	+	+	+	+	+	+	●				● ●								
											97	4B	77	33	22	67	02	04	78	82	80	81	96
	8/150	●	⊖	40-60	M5x35 M5x65	195	∅10	92	24	4	●	●	-	●	●	●	-	-	●	-	-	-	-
	8/150	●	⊖	40-60	M5x35 M5x65	195	∅10	85	24	4	●	●	-	●	●	●	-	-	●	-	-	-	-
	7/150	●	⊖	60-80	M5x55 M5x85	195	∅10	70	24	4	●	●	-	●	●	●	-	-	●	-	-	-	-
	8/150	●	⊖	40-60	M5x35 M5x65	195	∅10	92	24	4	●	●	-	●	●	●	-	-	●	-	-	-	-
	8/150	●	⊖	40-60	M5x35 M5x65	195	∅10	85	24	4	●	●	-	●	●	●	-	-	●	-	-	-	-
	7/150	●	⊖	60-80	M5x55 M5x85	195	∅10	70	24	4	●	●	-	●	●	●	-	-	●	-	-	-	-
	8/130	●	⊖	60-75	M5x55 M5x85	195	∅10	92	24	4	●	●	-	●	●	●	-	-	●	-	-	-	-
	8/130	●	⊖	75-90	M5x70 M5x95	195	∅10	92	24	4	●	●	-	●	●	●	-	-	●	-	-	-	-
	8/130	●	⊖	60-75	M5x55 M5x80	195	∅10	85	24	4	●	●	-	●	●	●	-	-	●	-	-	-	-
	8/130	●	⊖	75-90	M5x70 M5x95	195	∅10	85	24	4	●	●	-	●	●	●	-	-	●	-	-	-	-
	7/150	●	⊖	60-75	M5x55 M5x85	195	∅10	70	24	4	●	●	-	●	●	●	-	-	●	-	-	-	-
	7/150	●	⊖	75-90	M5x70 M5x95	195	∅10	70	24	4	●	●	-	●	●	●	-	-	●	-	-	-	-

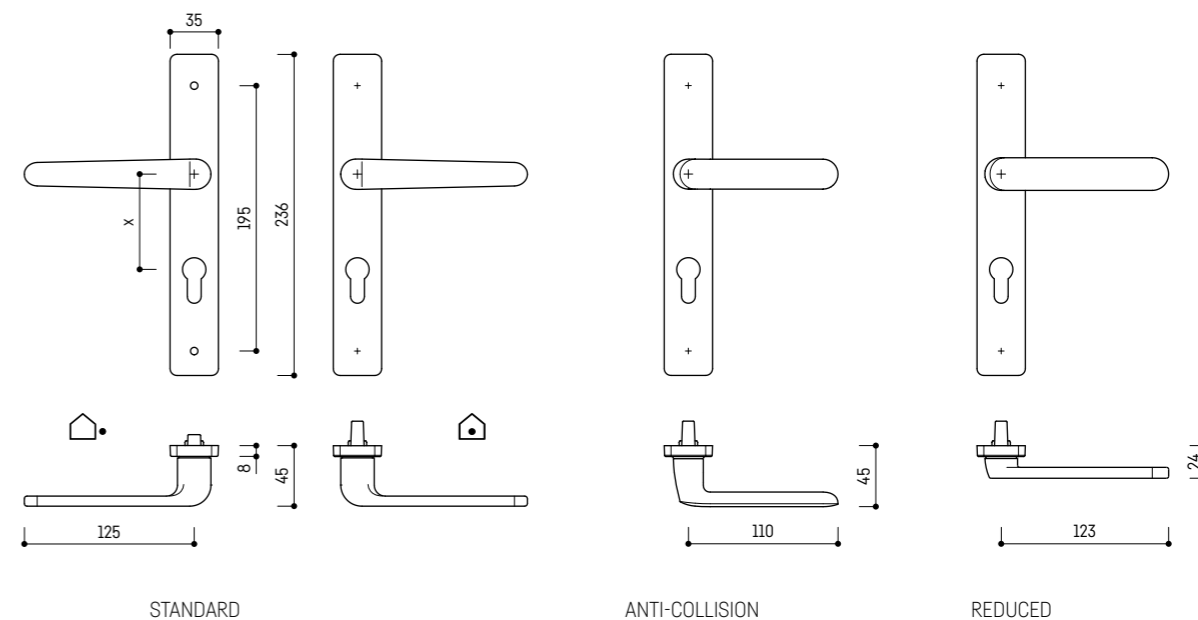
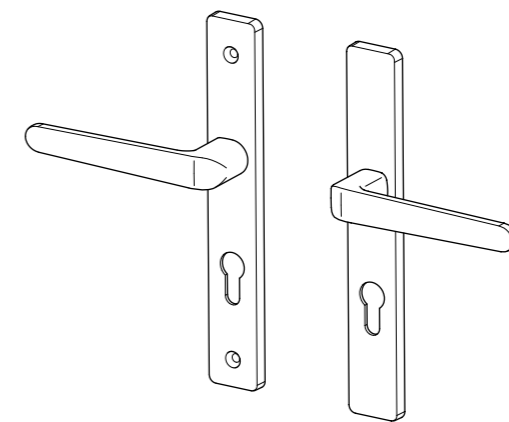
ELIOS

design Ufficio Tecnico Opentech



SET PLACCA - SUPPORTO 35x235x8mm_PLATE SET - SUPPORT 35x235x8mm

CARATTERISTICHE_FEATURES				FISSAGGIO_FIXING				FINITURE_FINISHES					OPZIONI_OPTIONS												
●	●	●	●	●	●	●	●	●	●	●	●	●	●	●	●	●	●	●	●	●	●	●	●	●	●



VERSIONI DISPONIBILI_AVAILABLE VERSIONS

--	--	--	--	--

CAPITOLATO_SPECIFICATION

Per una descrizione dettagliata di tutte le specifiche tecniche presenti nel prodotto, da impiegare nei capitolati o nelle offerte pubbliche, fate riferimento alla sezione **CAPITOLATI**. For a detailed description of all the technical informations contained in the product, to be used in the specifications or in public tenders, please refer to the SPECIFICATIONS section.

NORMA EN 1906_EN 1906 NORM

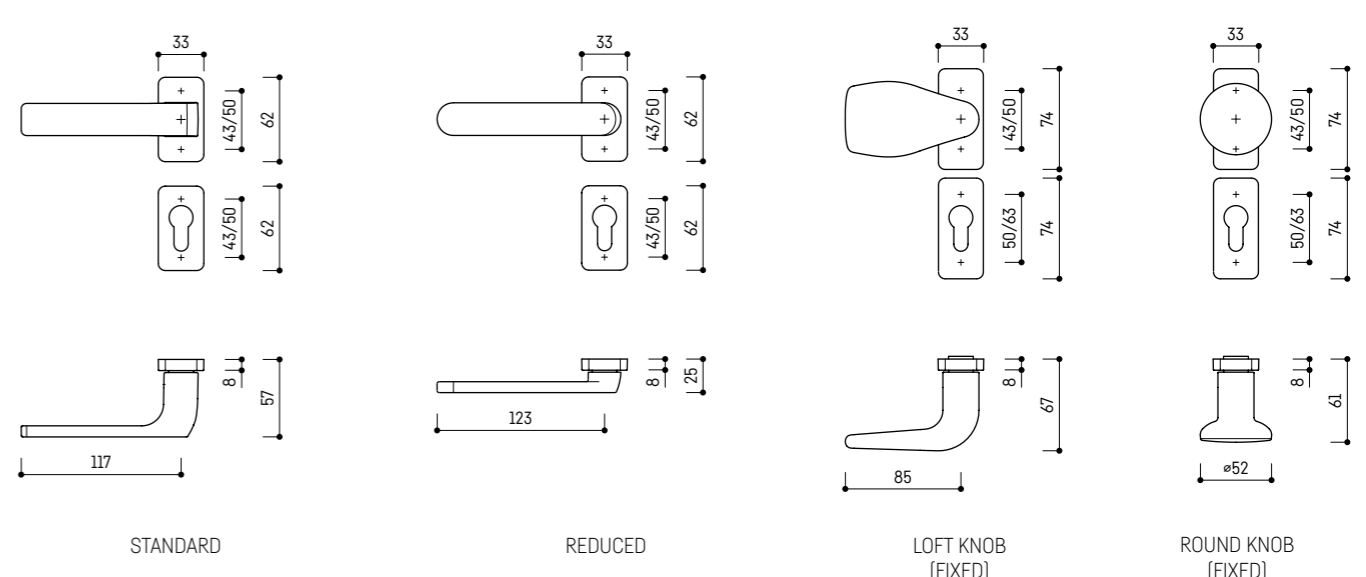
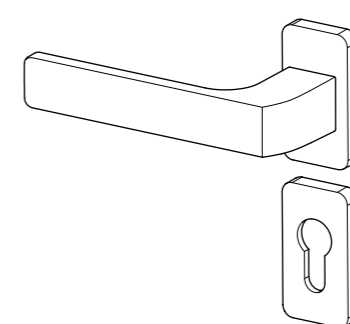
3 | 7 | - | 0 | 0 | 5 | 0 | B



											L								L L																
											97	4B	77	33	22	67	02	04	78	82	80	81	96	97	4B	77	33	22	67	02	04	78	82	80	81
	8/150	R	↔	40-60	M5x35 M5x65	195	ø10	92	24	4	15975007	●	●	-	●	●	●	-	-	●	-	-	-	-	-	-	-	-	-	-	-	-	-		
	8/150	R	↔	40-60	M5x35 M5x65	195	ø10	85	24	4	15975008	●	●	-	●	●	●	-	-	●	-	-	-	-	-	-	-	-	-	-	-	-	-		
	7/150	R	↔	60-80	M5x55 M5x85	195	ø10	70	24	4	15975009	●	●	-	●	●	●	-	-	●	-	-	-	-	-	-	-	-	-	-	-	-	-		
	8/150	R	↔	40-60	M5x35 M5x65	195	ø10	92	24	4	18675001	●	●	-	●	●	●	-	-	●	-	-	-	-	-	-	-	-	-	-	-	-	-		
	8/150	R	↔	40-60	M5x35 M5x65	195	ø10	85	24	4	18675002	●	●	-	●	●	●	-	-	●	-	-	-	-	-	-	-	-	-	-	-	-	-	-	
	7/150	R	↔	60-80	M5x55 M5x85	195	ø10	70	24	4	18675003	●	●	-	●	●	●	-	-	●	-	-	-	-	-	-	-	-	-	-	-	-	-	-	
	8/130	R	↔	60-75	M5x55 M5x85	195	ø10	92	24	4	15976010	●	●	-	●	●	●	-	-	●	-	-	-	-	-	-	-	-	-	-	-	-	-		
	8/130	R	↔	75-90	M5x70 M5x95	195	ø10	92	24	4	15976011	●	●	-	●	●	●	-	-	●	-	-	-	-	-	-	-	-	-	-	-	-	-	-	
	8/130	R	↔	60-75	M5x55 M5x80	195	ø10	85	24	4	15976012	●	●	-	●	●	●	-	-	●	-	-	-	-	-	-	-	-	-	-	-	-	-	-	
	8/130	R	↔	75-90	M5x70 M5x95	195	ø10	85	24	4	15976013	●	●	-	●	●	●	-	-	●	-	-	-	-	-	-	-	-	-	-	-	-	-	-	-
	7/150	R	↔	60-75	M5x55 M5x85	195	ø10	70	24	4	15976014	●	●	-	●	●	●	-	-	●	-	-	-	-	-	-	-	-	-	-	-	-	-	-	-
7/150	R	↔	75-90	M5x70 M5x95	195	ø10	70	24	4	15976015	●	●	-	●	●	●	-	-	●	-	-	-	-	-	-	-	-	-	-	-	-	-	-	-	

MANIGLIA PER PORTE ESTERNE - SUPPORTO 33x60x8mm_EXTERNAL DOORS HANDLE - SUPPORT 33x60x8mm

CARATTERISTICHE_FEATURES				FISSAGGIO_FIXING				FINITURE_FINISHES						OPZIONI_OPTIONS					



VERSIONI DISPONIBILI_AVAILABLE VERSIONS					CAPITOLATO_SPECIFICATION
					Per una descrizione dettagliata di tutte le specifiche tecniche presenti nel prodotto, da impiegare nei capitolati o nelle offerte pubbliche, fate riferimento alla sezione CAPITOLATI for a detailed description of all the technical informations contained in the product, to be used in the specifications or in public tenders, please refer to the SPECIFICATIONS section. NORMA EN 1906_EN 1906 NORM 4 7 - 0 0 5 0 B

Opzioni_Options -



IRON

Supporto_Support

Ferro uscita emergenza EN-179_Emergency exit EN-179 spindle

	MECHANISM									
									26	
EN-179										
8-9-8/140	CLAS	-	30-70	-	-	-	-	10	8	06727538
8-9-8/150	CLAS	-	40-80	-	-	-	-	10	8	06727540
8-9-8/160	CLAS	-	50-90	-	-	-	-	10	8	06727542
8-9-8/180	CLAS	-	70-110	-	-	-	-	10	8	06727546
8-9-8/185	CLAS	-	75-115	-	-	-	-	10	8	06727547
8-9-8/195	CLAS	-	85-125	-	-	-	-	10	8	06727548

Opzioni_Options -



IRON

Supporto_Support

1/2 ferro ancora_1/2 anchor spindle

	MECHANISM									
									26	
8/60	CLAS	-	-	-	-	-	-	10	8	06727462
8/70	CLAS	-	-	-	-	-	-	10	8	06727427
8/80	CLAS	-	-	-	-	-	-	10	8	06727428
8/90	CLAS	-	-	-	-	-	-	10	8	06727429
8/100	CLAS	-	-	-	-	-	-	10	8	06727463
7/60	CLAS	-	-	-	-	-	-	10	8	06727432
7/70	CLAS	-	-	-	-	-	-	10	8	06727433
7/80	CLAS	-	-	-	-	-	-	10	8	06727434
7/90	CLAS	-	-	-	-	-	-	10	8	06727435
7/100	CLAS	-	-	-	-	-	-	10	8	06727436

LOFT pomolo fisso_fixed knob

design Leo De Carlo



ALU

Supporto_Support

33x60x8mm

	MECHANISM														
7* or 8*	CLAS														
	97	48	77	33	22	67	02	04	78	82	80	81	96		

ROUND pomolo fisso_fixed knob

design Leo De Carlo



ALU

Supporto_Support

33x60x8mm

	MECHANISM													
7* or 8*	CLAS													
	97	48	77	33	22	67	02	04	78	82	80	81	96	

Opzioni_Options -



IRON

Supporto_Support

1/2 ferro per pomolo fisso_1/2 fixed knob spindle

	MECHANISM									
									26	
7/90	CLAS	-	45-55	-	-	-	-	10	8	06727507
7/100	CLAS	-	50-65	-	-	-	-	10	8	06727508
7/110	CLAS	-	60-75	-	-	-	-	10	8	06727509
7/120	CLAS	-	70-85	-	-	-	-	10	8	06727510
7/130	CLAS	-	80-95	-	-	-	-	10	8	06727551
7/140	CLAS	-	90-105	-	-	-	-	10	8	06727552
8/90	CLAS	-	45-55	-	-	-	-	10	8	06727503
8/100	CLAS	-	50-65	-	-	-	-	10	8	06727504
8/110	CLAS	-	60-75	-	-	-	-	10	8	06727505
8/120	CLAS	-	70-85	-	-	-	-	10	8	06727506
8/130	CLAS	-	80-95	-	-	-	-	10	8	06727549
8/140	CLAS	-	90-105	-	-	-	-	10	8	06727550

Opzioni_Options -

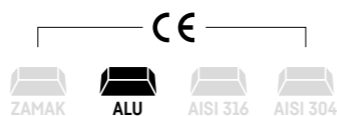


ALU

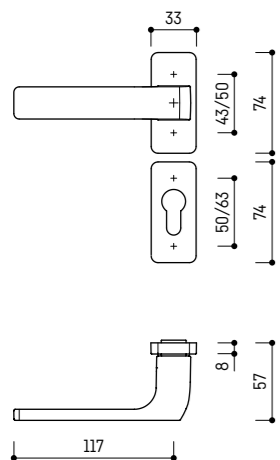
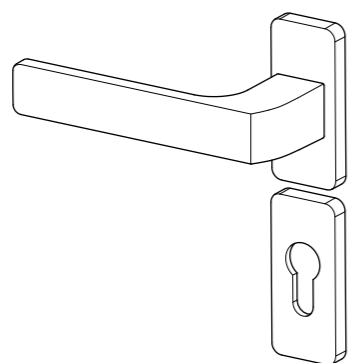
Supporto_Support

Maniglia singola_Single handle

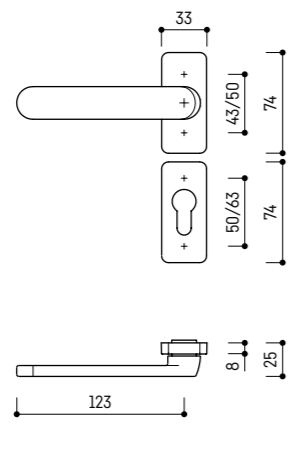
	MECHANISM													
7	CLAS													
	97	48	77	33	22	67	02	04	78	82	80	81	96	



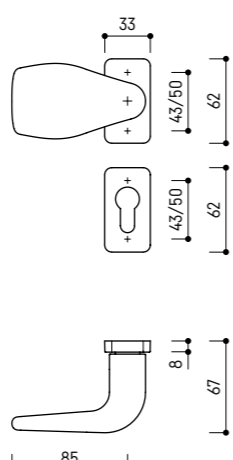
CARATTERISTICHE_FEATURES				FISSAGGIO_FIXING				FINITURE_FINISHES				OPZIONI_OPTIONS							
B	CLAD	R	W	C	T	L	P	CLASS 5	CLASS 5	CLASS 5	CLASS 5	PVD	PVD	PVD	PVD	+I	REI+60	EN-179	IP-65



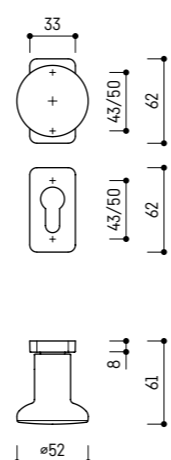
STANDARD



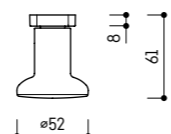
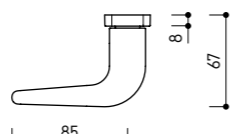
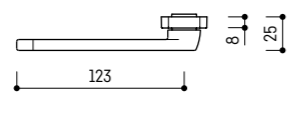
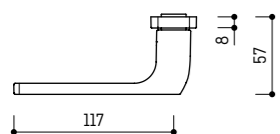
REDUCED



LOFT KNOB (FIXED)



ROUND KNOB (FIXED)



VERSIONI DISPONIBILI_AVAILABLE VERSIONS					CAPITOLATO_SPECIFICATION
[Icon]	[Icon]	[Icon]	[Icon]	[Icon]	<p>Per una descrizione dettagliata di tutte le specifiche tecniche presenti nel prodotto, da impiegare nei capitolati o nelle offerte pubbliche, fate riferimento alla sezione CAPITOLATI. For a detailed description of all the technical informations contained in the product, to be used in the specifications or in public tenders, please refer to the SPECIFICATIONS section.</p>
[Icon]	[Icon]	[Icon]	[Icon]	[Icon]	<p>NORMA EN 1906 _EN 1906 NORM</p> <p>4 7 - 0 0 5 0 B</p>



	■	+	S	U	X	X	S	S	S	S	S	S	⌚					⌚ ⌚										
													FL	FP	ENDX	BLACK	WHITE SIGNAL	PURE WHITE	WHITE	NOR	ANTHRACITE	LIGHT GREY	CLAY BROWN	HONEY	DARK BROWN			
	8*	8/170	8/170	8/170	8/170	8/170	8/170	8/110	8/125	8/140																		
[Icon]	8*	8/170	8/170	8/170	8/170	8/170	8/170	8/110	8/125	8/140																		
[Icon]																												

Opzioni_Options

-



IRON

Supporto_Support

Ferro standard_Standard spindle

	■	+	S	U	X	X	S	S	S	S	S	S	S	S	S	⌚
																MECHANISM
[Icon]	7/140	7/150	7/160	7/180	7/185	7/195	8/140	8/150	8/160	8/180	8/185	8/195				26
[Icon]																

Opzioni_Options

IRON

Supporto_Support

Ferro uscita emergenza EN-179_Emergency exit EN-179 spindle

	8/140	8/150	8/160	8/180	8/185	8/195	8-9-8/140	8-9-8/150	8-9-8/160	8-9-8/180	8-9-8/185	8-9-8/195	MECHANISM	
													26	

Opzioni_Options

IRON

Supporto_Support

1/2 ferro ancora 1/2 anchor spindle

	8/60	8/70	8/80	8/90	8/100	7/60	7/70	7/80	7/90	7/100	MECHANISM	
											26	

LOFT pomolo fisso_fixed knob

design Leo De Carlo

ALU

Supporto_Support

33x74x8mm

	7* or 8*	MECHANISM												96		
		97	48	77	33	22	67	02	04	78	82	80	81			

ROUND pomolo fisso_fixed knob

design Leo De Carlo

ALU

Supporto_Support

33x74x8mm

	7* or 8*	MECHANISM												96		
		97	48	77	33	22	67	02	04	78	82	80	81			

Opzioni_Options

IRON

Supporto_Support

1/2 ferro per pomolo fisso_1/2 fixed knob spindle

	7/90	7/100	7/110	7/120	7/130	7/140	8/90	8/100	8/110	8/120	8/130	8/140	MECHANISM	
													26	

Opzioni_Options

ALU

Supporto_Support

Maniglia singola_Single handle

	7	8	MECHANISM												96	
			97	48	77	33	22	67	02	04	78	82	80	81		

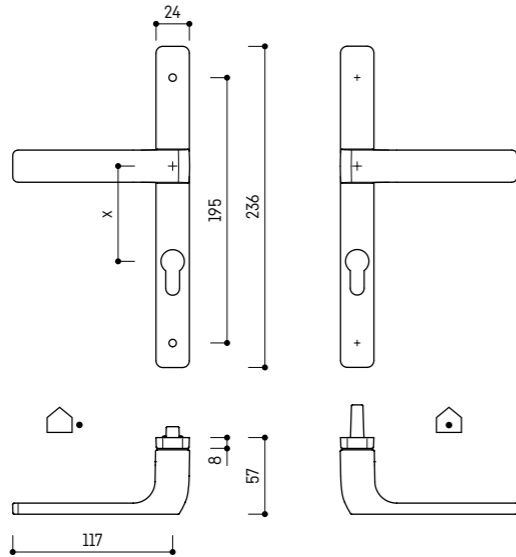
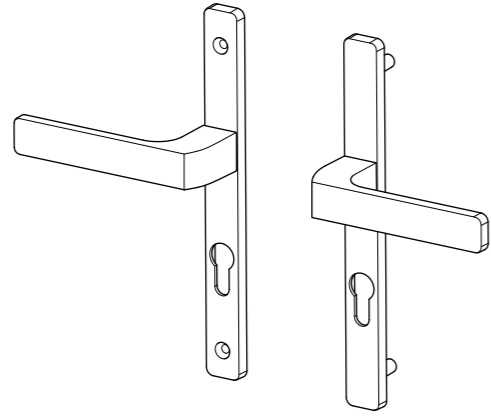
CUBIC

design Ufficio Tecnico Opentech



SET PLACCA - SUPPORTO 24x235x8mm PLATE SET - SUPPORT 24x235x8mm

CARATTERISTICHE_FEATURES				FISSAGGIO_FIXING				FINITURE_FINISHES				OPZIONI_OPTIONS								



VERSIONI DISPONIBILI_AVAILABLE VERSIONS

VERSIONI DISPONIBILI_AVAILABLE VERSIONS				CAPITOLATO_SPECIFICATION
				<p>Per una descrizione dettagliata di tutte le specifiche tecniche presenti nel prodotto, da impiegare nei capitolati o nelle offerte pubbliche, fate riferimento alla sezione CAPITOLATI for a detailed description of all the technical informations contained in the product, to be used in the specifications or in public tenders, please refer to the SPECIFICATIONS section.</p> <p>NORMA EN 1906 _EN 1906 NORM</p> <p>4 7 - 0 0 5 0 B</p>

CUBIC



Supporto_Support

design Ufficio Tecnico Opentech

ALU

24x235x8mm

											L							L L																					
											F1	FP	ENIX	RAL 9005 GLOSS 6A BLACK	RAL 9006 GLOSS 85% WHITE SIGNAL	RAL 9010 GLOSS 85% PURE WHITE	BIO* WHITE	BIO* NOIR	RAL 7016 GLOSS 85% ANTHRACITE	RAL 7035 GLOSS 85% LIGHT GREY	RAL 8003 GLOSS 85% CLAY BROWN	RAL 1015 GLOSS 85% IVORY	RAL 8717 GLOSS 85% DARK BROWN	96	96	96	96												
8/130					40-60	M5x35 M5x65	195	ø10	92	24	1	17476005	●	●	●	●	●	●	●	●	●	●	●	●	●	●	●	●	●	●	●	●	●	●	●	●	●		
8/150					60-80	M5x55 M5x85	195	ø10	92	24	1	17476006	●	●	●	●	●	●	●	●	●	●	●	●	●	●	●	●	●	●	●	●	●	●	●	●	●		
8/130					40-60	M5x35 M5x65	195	ø10	85	24	1	17476007	●	●	●	●	●	●	●	●	●	●	●	●	●	●	●	●	●	●	●	●	●	●	●	●	●	●	
8/150					60-80	M5x55 M5x85	195	ø10	85	24	1	17476008	●	●	●	●	●	●	●	●	●	●	●	●	●	●	●	●	●	●	●	●	●	●	●	●	●	●	●
7/130					40-60	M5x35 M5x65	195	ø10	70	24	1	17476009	●	●	●	●	●	●	●	●	●	●	●	●	●	●	●	●	●	●	●	●	●	●	●	●	●	●	
7/150					60-80	M5x55 M5x85	195	ø10	70	24	1	17476010	●	●	●	●	●	●	●	●	●	●	●	●	●	●	●	●	●	●	●	●	●	●	●	●	●	●	

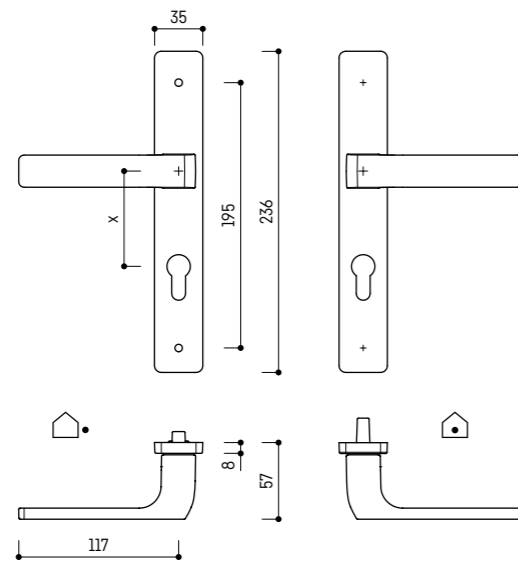
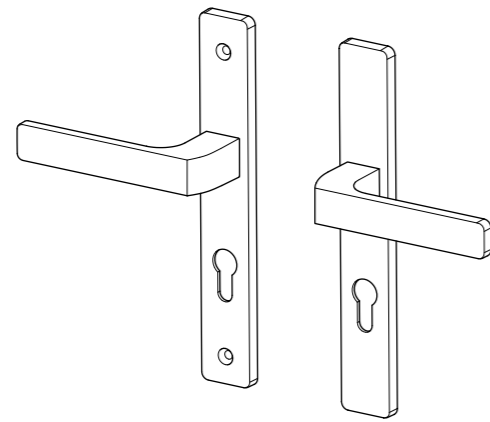
CUBIC

design Ufficio Tecnico Opentech



SET PLACCA - SUPPORTO 35x235x8mm_PLATE SET - SUPPORT 35x235x8mm

CARATTERISTICHE_FEATURES				FISSAGGIO_FIXING				FINITURE_FINISHES				OPZIONI_OPTIONS				



CUBIC

design Ufficio Tecnico Opentech



ALU

Supporto_Support

35x235x8mm

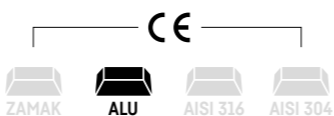
											●				● ●								
											F1	FP	EN0X	RAL 9005 GLOSS 65% BLACK	RAL 9006 GLOSS 85% WHITE SIGNAL	RAL 9010 GLOSS 85% PURE WHITE	BIOP* WHITE	BIOP* NOIR	RAL 7016 GLOSS 85% ANTHRACITE	RAL 7035 GLOSS 85% LIGHT GREY	RAL 8003 GLOSS 85% CLAY BROWN	RAL 1015 GLOSS 85% IVORY	RAL 8717 GLOSS 85% DARK BROWN
				40-60	M5x35 M5x65	195	ø10	92	24	1	17475001	●	●	●	●	●	●	●	●	●	●	●	●
				60-80	M5x55 M5x85	195	ø10	92	24	1	17475002	●	●	●	●	●	●	●	●	●	●	●	●
				40-60	M5x35 M5x65	195	ø10	85	24	1	17475003	●	●	●	●	●	●	●	●	●	●	●	●
				60-80	M5x55 M5x85	195	ø10	85	24	1	17475004	●	●	●	●	●	●	●	●	●	●	●	●
				40-60	M5x35 M5x65	195	ø10	70	24	1	17475005	●	●	●	●	●	●	●	●	●	●	●	●
				60-80	M5x55 M5x85	195	ø10	70	24	1	17475006	●	●	●	●	●	●	●	●	●	●	●	●

VERSIONI DISPONIBILI_AVAILABLE VERSIONS

					<p>CAPITOLATO_SPECIFICATION </p> <p>Per una descrizione dettagliata di tutte le specifiche tecniche presenti nel prodotto, da impiegare nei capitolati o nelle offerte pubbliche, fate riferimento alla sezione CAPITOLATI for a detailed description of all the technical informations contained in the product, to be used in the specifications or in public tenders, please refer to the SPECIFICATIONS section.</p>
					<p>NORMA EN 1906 _EN 1906 NORM</p> <p>4 7 - 0 0 5 0 B</p>

CUBIC

design Ufficio Tecnico Opentech



CUBIC

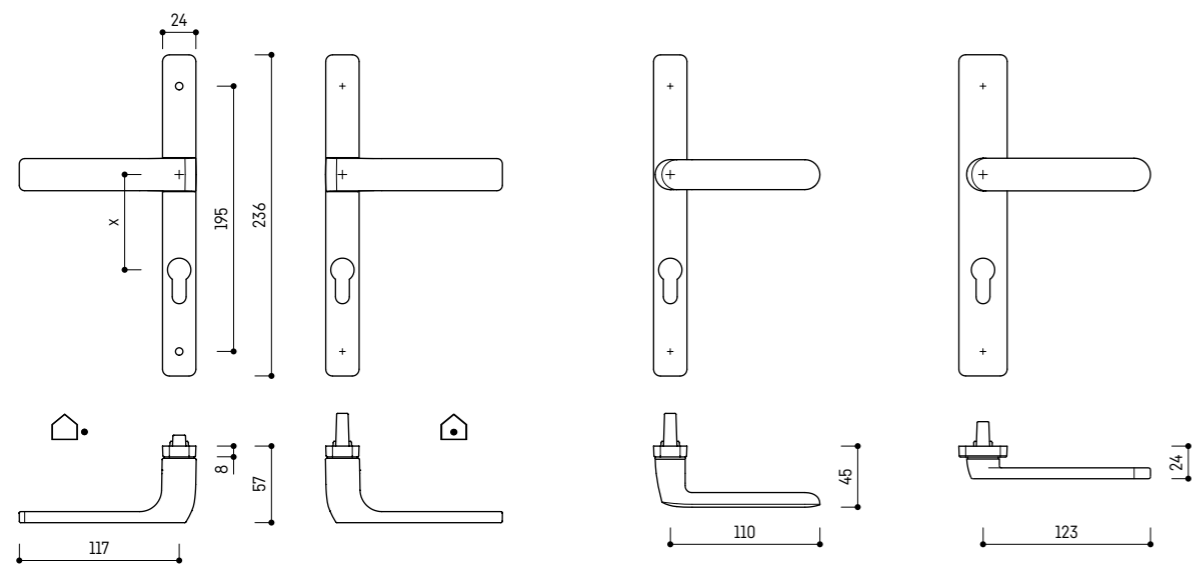
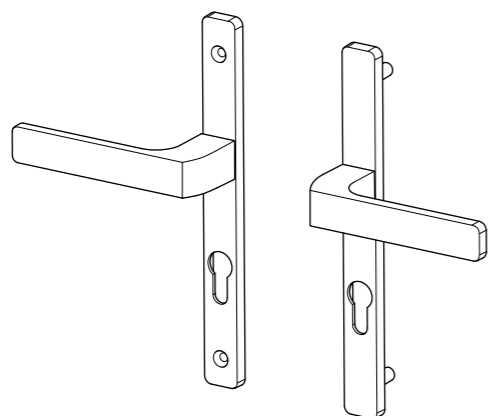
design Ufficio Tecnico Opentech

Supporto_Support

ALU
24x235x8mm

SET PLACCA - SUPPORTO 24x235x8mm PLATE SET - SUPPORT 24x235x8mm

CARATTERISTICHE_FEATURES				FISSAGGIO_FIXING				FINITURE_FINISHES				OPZIONI_OPTIONS					



	■	+			X						L				L									
											F1	FP	ENOX	RAL 9005 GLOSS 65% BLACK	RAL 9006 GLOSS 85% WHITE SIGNAL	RAL 9010 GLOSS 85% PURE WHITE	BIOP* WHITE	BIOP* NOIR	RAL 7016 GLOSS 85% ANTHRACITE	RAL 7035 GLOSS 85% LIGHT GREY	RAL 8003 GLOSS 85% CLAY BROWN	RAL ID15 GLOSS 85% IVORY	RAL 8717 GLOSS 85% DARK BROWN	
	8/150			40-60	M5x35 M5x65	195	ø10	92	24	4	17476001	●	●	-	●	●	●	-	-	●	-	-	-	-
	8/150			40-60	M5x35 M5x65	195	ø10	85	24	4	17476011	●	●	-	●	●	●	-	-	●	-	-	-	-
	7/150			60-80	M5x55 M5x85	195	ø10	70	24	4	17476002	●	●	-	●	●	●	-	-	●	-	-	-	-
	8/150			40-60	M5x35 M5x65	195	ø10	92	24	4	17576003	●	●	-	●	●	●	-	-	●	-	-	-	-
	8/150			40-60	M5x35 M5x65	195	ø10	85	24	4	17576004	●	●	-	●	●	●	-	-	●	-	-	-	-
	7/150			60-80	M5x55 M5x85	195	ø10	70	24	4	17576005	●	●	-	●	●	●	-	-	●	-	-	-	-
	8/130			60-75	M5x55 M5x85	195	ø10	92	24	4	17476012	●	●	-	●	●	●	-	-	●	-	-	-	-
	8/130			75-90	M5x70 M5x95	195	ø10	92	24	4	17476013	●	●	-	●	●	●	-	-	●	-	-	-	-
	8/130			60-75	M5x55 M5x80	195	ø10	85	24	4	17476014	●	●	-	●	●	●	-	-	●	-	-	-	-
	8/130			75-90	M5x70 M5x95	195	ø10	85	24	4	17476015	●	●	-	●	●	●	-	-	●	-	-	-	-
	7/150			60-75	M5x55 M5x85	195	ø10	70	24	4	17476016	●	●	-	●	●	●	-	-	●	-	-	-	-
	7/150			75-90	M5x70 M5x95	195	ø10	70	24	4	17476017	●	●	-	●	●	●	-	-	●	-	-	-	-

VERSIONI DISPONIBILI_AVAILABLE VERSIONS

--	--	--	--	--

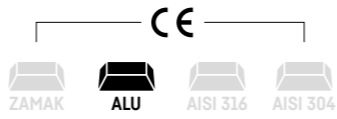
CAPITOLATO_SPECIFICATION



Per una descrizione dettagliata di tutte le specifiche tecniche presenti nel prodotto, da impiegare nei capitolati o nelle offerte pubbliche, fate riferimento alla sezione CAPITOLATI. For a detailed description of all the technical informations contained in the product, to be used in the specifications or in public tenders, please refer to the SPECIFICATIONS section.

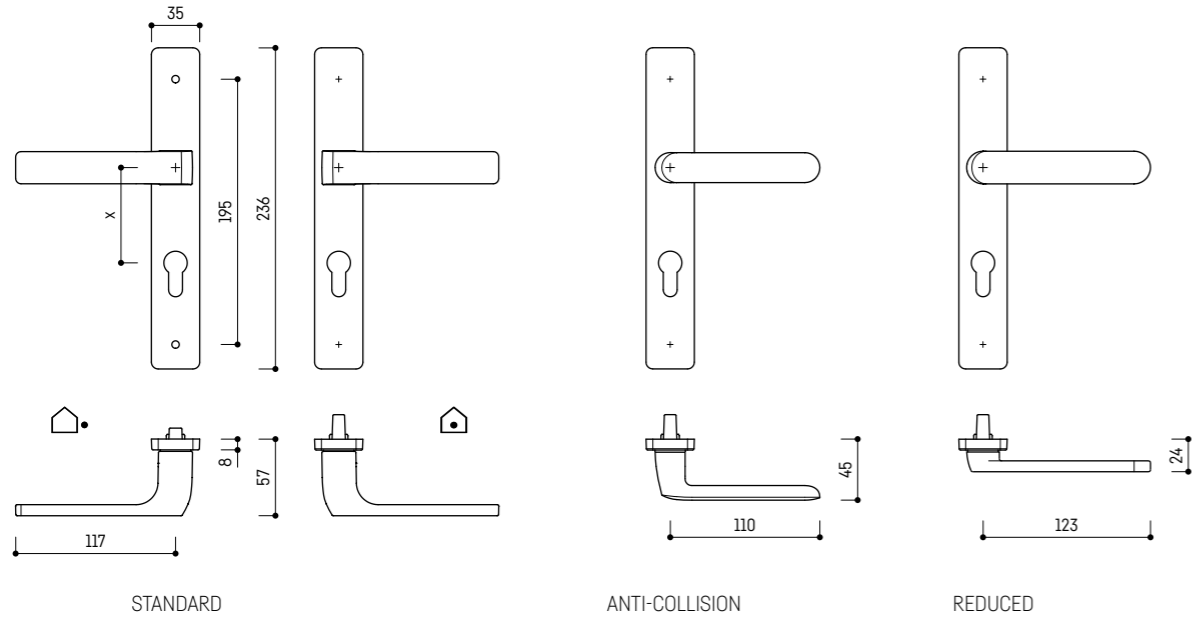
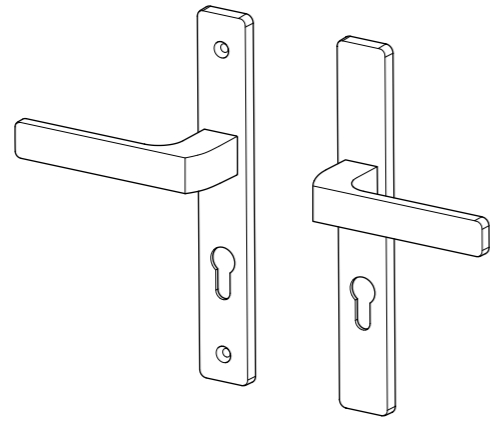
NORMA EN 1906_EN 1906 NORM

3 | 7 | - | 0 | 0 | 5 | 0 | B



SET PLACCA - SUPPORTO 35x235x8mm PLATE SET - SUPPORT 35x235x8mm

CARATTERISTICHE_FEATURES				FISSAGGIO_FIXING				FINITURE_FINISHES						OPZIONI_OPTIONS					



											L				L								
											F1	FP	ENOX	RAL 9005 GLOSS 65% BLACK	RAL 9006 GLOSS 85% WHITE SIGNAL	RAL 9010 GLOSS 85% PURE WHITE	BIO* WHITE	BIO* NOIR	RAL 7016 GLOSS 85% ANTHRACITE	RAL 7035 GLOSS 85% LIGHT GREY	RAL 8003 GLOSS 85% CLAY BROWN	RAL 1015 GLOSS 85% IVORY	RAL 8717 GLOSS 85% DARK BROWN
	8/150			M5x35 M5x65	195	ø10	92	24	4	17475007	●	●	-	●	●	●	-	-	●	-	-	-	-
	8/150			M5x35 M5x65	195	ø10	85	24	4	17475008	●	●	-	●	●	●	-	-	●	-	-	-	-
	7/150			M5x55 M5x85	195	ø10	70	24	4	17475009	●	●	-	●	●	●	-	-	●	-	-	-	-
	8/150			M5x35 M5x65	195	ø10	92	24	4	17575001	●	●	-	●	●	●	-	-	●	-	-	-	-
	8/150			M5x35 M5x65	195	ø10	85	24	4	17575002	●	●	-	●	●	●	-	-	●	-	-	-	-
	7/150			M5x55 M5x85	195	ø10	70	24	4	17575003	●	●	-	●	●	●	-	-	●	-	-	-	-
	8/130			M5x55 M5x85	195	ø10	92	24	4	17475010	●	●	-	●	●	●	-	-	●	-	-	-	-
	8/130			M5x70 M5x95	195	ø10	92	24	4	17475011	●	●	-	●	●	●	-	-	●	-	-	-	-
	8/130			M5x55 M5x80	195	ø10	85	24	4	17475012	●	●	-	●	●	●	-	-	●	-	-	-	-
	8/130			M5x70 M5x95	195	ø10	85	24	4	17475013	●	●	-	●	●	●	-	-	●	-	-	-	-
	7/150			M5x55 M5x85	195	ø10	70	24	4	17475014	●	●	-	●	●	●	-	-	●	-	-	-	-
	7/150			M5x70 M5x95	195	ø10	70	24	4	17475015	●	●	-	●	●	●	-	-	●	-	-	-	-

VERSIONI DISPONIBILI_AVAILABLE VERSIONS

--	--	--	--	--

CAPITOLATO_SPECIFICATION

Per una descrizione dettagliata di tutte le specifiche tecniche presenti nel prodotto, da impiegare nei capitolati o nelle offerte pubbliche, fate riferimento alla sezione CAPITOLATI. For a detailed description of all the technical informations contained in the product, to be used in the specifications or in public tenders, please refer to the SPECIFICATIONS section.

NORMA EN 1906 _EN 1906 NORM

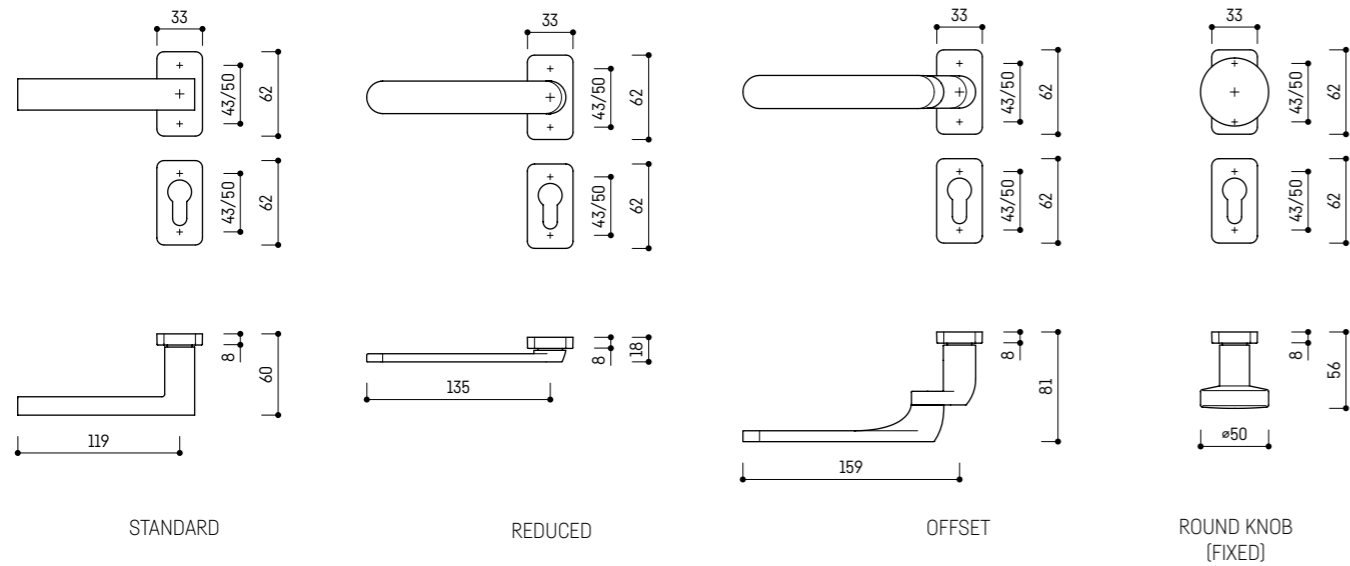
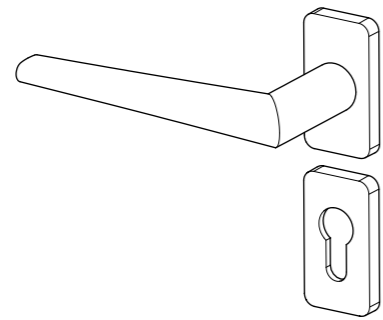
3 | 7 | - | 0 | 0 | 5 | 0 | B





MANIGLIA PER PORTE ESTERNE - SUPPORTO 33x60x8mm_EXTERNAL DOORS HANDLE - SUPPORT 33x60x8mm

CARATTERISTICHE_FEATURES				FISSAGGIO_FIXING				FINITURE_FINISHES				OPZIONI_OPTIONS					



VERSIONI DISPONIBILI_AVAILABLE VERSIONS					CAPITOLATO_SPECIFICATION
					<p>Per una descrizione dettagliata di tutte le specifiche tecniche presenti nel prodotto, da impiegare nei capitolati o nelle offerte pubbliche, fate riferimento alla sezione CAPITOLATI. For a detailed description of all the technical informations contained in the product, to be used in the specifications or in public tenders, please refer to the SPECIFICATIONS section.</p> <p>NORMA EN 1906_EN 1906 NORM</p> <p>4 7 - 0 0 5 0 B</p>

Icona	Dimensione	CLAQ	R	W	F1	F2	F3	F4	304	316	CLASS 5	CLASS 5	PVD	CLASS 5	+	REI-60	EN-179	IP-65	Barcode	FINITURE							
																				AISI316	AISI304	BLACK MATT 9005 G6	PLATINUM	BLACK PEARL	COPPER PEARL	NOIR PEARL	
	8"																			10570001	48	19	33	62	04	5B	08
	7"																			10570002	48	19	33	62	04	5B	08
	8"																			10578001	48	19	33	62	04	5B	08
	7"																			10578002	48	19	33	62	04	5B	08
	8/170																			10570003	48	19	33	62	04	5B	08
	7/170																			10570005	48	19	33	62	04	5B	08
	8/170																			10578003	48	19	33	62	04	5B	08
	7/170																			10578005	48	19	33	62	04	5B	08
	8/170																			10570004	48	19	33	62	04	5B	08
	7/170																			10570006	48	19	33	62	04	5B	08
	8/170																			10578004	48	19	33	62	04	5B	08
	7/170																			10578006	48	19	33	62	04	5B	08
	-																			06525139	48	19	33	62	04	5B	08
	8/110																			19470001	48	19	33	62	04	5B	08
	8/125																			19470002	48	19	33	62	04	5B	08
	8/140																			19470003	48	19	33	62	04	5B	08
	8/110																			19470004	48	19	33	62	04	5B	08
	8/125																			19470005	48	19	33	62	04	5B	08
	8/140																			19470006	48	19	33	62	04	5B	08
	8"																			20170001	48	19	33	62	04	5B	08

DRITTA

design Leo De Carlo



DRITTA



design Leo De Carlo

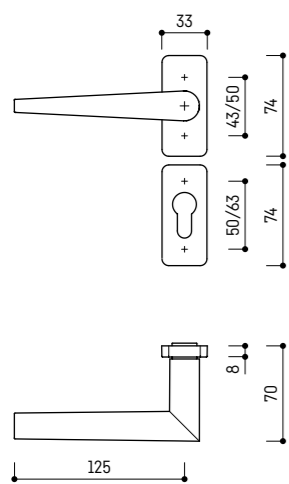
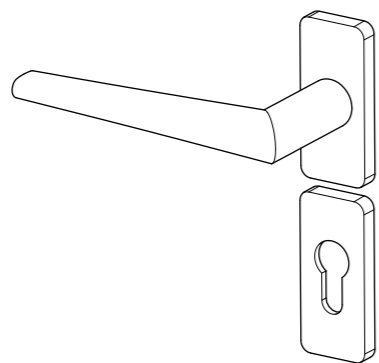
AISI316

Supporto_Support

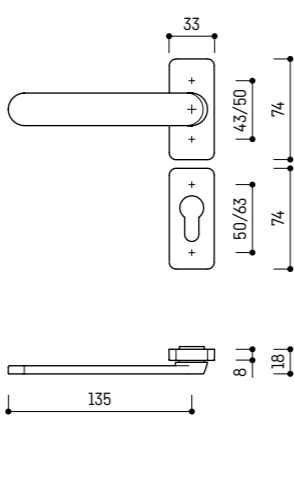
33x74x8mm

MANIGLIA PER PORTE ESTERNE - SUPPORTO 33x74x8mm_EXTERNAL DOORS HANDLE - SUPPORT 33x74x8mm

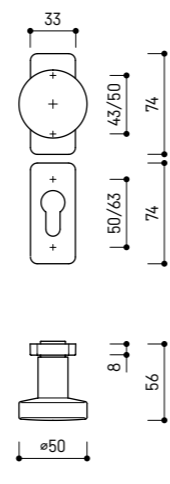
CARATTERISTICHE_FEATURES				FISSAGGIO_FIXING					FINITURE_FINISHES					OPZIONI_OPTIONS					
B	CLAO	R	W	⊙	⊖	⊕	⊙	⊙	⊙	CLASS 5	CLASS 5	CLASS 5	CLASS 5	CLASS 5	CLASS 5	+	REI-60	EN-179	IP-65



STANDARD



REDUCED



ROUND KNOB
(FIXED)

VERSIONI DISPONIBILI_AVAILABLE VERSIONS

CAPITOLATO_SPECIFICATION



Per una descrizione dettagliata di tutte le specifiche tecniche presenti nel prodotto, da impiegare nei capitolati o nelle offerte pubbliche, fate riferimento alla sezione CAPITOLATI. For a detailed description of all the technical informations contained in the product, to be used in the specifications or in public tenders, please refer to the SPECIFICATIONS section.

NORMA EN 1906_EN 1906 NORM

4 | 7 | - | 0 | 0 | 5 | 0 | B

Icona	Dimensione	CLAO	R	W	Fissaggio	Spessore	Lunghezza	Lunghezza	Lunghezza	Lunghezza	Lunghezza	Lunghezza	Lunghezza	Lunghezza	MECHANISM						
															48	19	33	62	04	5B	08
	8*				⊙	-	3,9x25	43/50	-	-	24	1	10504013	●	-	-	●	●	●	●	
	8/170				⊙	60-90	3,9x25	43/50	-	-	24	1	10504014	●	-	-	●	●	●	●	
	8/170				⊙	60-90	3,9x25	43/50 50/63	-	-	24	1	10504015	●	-	-	●	●	●	●	
	-	-	-	-	⊙	-	3,9x25	50/63	-	-	24	4	6525138	●	●	●	●	●	●	●	
	8/110				⊙	45-60	3,9x25	43/50	-	-	12	1	19404001	-	●	●	●	●	●	●	
	8/125				⊙	60-75	3,9x25	43/50	-	-	12	1	19404002	-	●	●	●	●	●	●	
	8/140				⊙	75-90	3,9x25	43/50	-	-	12	1	19404003	-	●	●	●	●	●	●	

Opzioni_Options



IRON

Supporto_Support

Ferro standard_Standard spindle

Icona	Dimensione	CLAO	R	W	Fissaggio	Spessore	Lunghezza	Lunghezza	Lunghezza	Lunghezza	Lunghezza	Lunghezza	Lunghezza	Lunghezza	Lunghezza	Lunghezza	Lunghezza	Lunghezza	MECHANISM	
																			26	26
	7/140				⊙	30-70	-	-	-	-	10	8	06727634	●	●					
	7/150				⊙	40-80	-	-	-	-	10	8	06727485	●	●					
	7/160				⊙	50-90	-	-	-	-	10	8	06727635	●	●					
	7/180				⊙	70-110	-	-	-	-	10	8	06727199	●	●					
	7/185				⊙	75-115	-	-	-	-	10	8	06727200	●	●					
	7/195				⊙	85-125	-	-	-	-	10	8	06727201	●	●					
	8/140				⊙	30-70	-	-	-	-	10	8	06727422	●	●					
	8/150				⊙	40-80	-	-	-	-	10	8	06727643	●	●					
	8/160				⊙	50-90	-	-	-	-	10	8	06727996	●	●					
	8/180				⊙	70-110	-	-	-	-	10	8	06727466	●	●					
	8/185				⊙	75-115	-	-	-	-	10	8	06727499	●	●					
	8/195				⊙	85-125	-	-	-	-	10	8	06727500	●	●					

Opzioni_Options



IRON

Supporto_Support

Ferro uscita emergenza EN-179_Emergency exit EN-179 spindle

EN-179	Icons: Square, Plus, Screwdriver, U-shaped, X-shaped, Bolt, Nut, Washer, Spacer, Lock, Barcode										MECHANISM	
											26	
8/140	CLAD	-	30-70	-	-	-	-	-	10	8	06727522	●
8/150	CLAD	-	40-80	-	-	-	-	-	10	8	06727524	●
8/160	CLAD	-	50-90	-	-	-	-	-	10	8	06727526	●
8/180	CLAD	-	70-110	-	-	-	-	-	10	8	06727530	●
8/185	CLAD	-	75-115	-	-	-	-	-	10	8	06727531	●
8/195	CLAD	-	85-125	-	-	-	-	-	10	8	06727532	●
8-9-8/140	CLAD	-	30-70	-	-	-	-	-	10	8	06727538	●
8-9-8/150	CLAD	-	40-80	-	-	-	-	-	10	8	06727540	●
8-9-8/160	CLAD	-	50-90	-	-	-	-	-	10	8	06727542	●
8-9-8/180	CLAD	-	70-110	-	-	-	-	-	10	8	06727546	●
8-9-8/185	CLAD	-	75-115	-	-	-	-	-	10	8	06727547	●
8-9-8/195	CLAD	-	85-125	-	-	-	-	-	10	8	06727548	●

Opzioni_Options



IRON

Supporto_Support

1/2 ferro per pomolo fisso_1/2 fixed knob spindle

EN-179	Icons: Square, Plus, Screwdriver, U-shaped, X-shaped, Bolt, Nut, Washer, Spacer, Lock, Barcode										MECHANISM	
											26	
7/90	CLAD	-	45-55	-	-	-	-	-	10	8	06727507	●
7/100	CLAD	-	50-65	-	-	-	-	-	10	8	06727508	●
7/110	CLAD	-	60-75	-	-	-	-	-	10	8	06727509	●
7/120	CLAD	-	70-85	-	-	-	-	-	10	8	06727510	●
7/130	CLAD	-	80-95	-	-	-	-	-	10	8	06727551	●
7/140	CLAD	-	90-105	-	-	-	-	-	10	8	06727552	●
8/90	CLAD	-	45-55	-	-	-	-	-	10	8	06727503	●
8/100	CLAD	-	50-65	-	-	-	-	-	10	8	06727504	●
8/110	CLAD	-	60-75	-	-	-	-	-	10	8	06727505	●
8/120	CLAD	-	70-85	-	-	-	-	-	10	8	06727506	●
8/130	CLAD	-	80-95	-	-	-	-	-	10	8	06727549	●
8/140	CLAD	-	90-105	-	-	-	-	-	10	8	06727550	●

Opzioni_Options



IRON

Supporto_Support

1/2 ferro ancora_1/2 anchor spindle

EN-179	Icons: Square, Plus, Screwdriver, U-shaped, X-shaped, Bolt, Nut, Washer, Spacer, Lock, Barcode										MECHANISM	
											26	
8/60	CLAD	-	-	-	-	-	-	-	10	8	06727462	●
8/70	CLAD	-	-	-	-	-	-	-	10	8	06727427	●
8/80	CLAD	-	-	-	-	-	-	-	10	8	06727428	●
8/90	CLAD	-	-	-	-	-	-	-	10	8	06727429	●
8/100	CLAD	-	-	-	-	-	-	-	10	8	06727463	●
7/60	CLAD	-	-	-	-	-	-	-	10	8	06727432	●
7/70	CLAD	-	-	-	-	-	-	-	10	8	06727433	●
7/80	CLAD	-	-	-	-	-	-	-	10	8	06727434	●
7/90	CLAD	-	-	-	-	-	-	-	10	8	06727435	●
7/100	CLAD	-	-	-	-	-	-	-	10	8	06727436	●

ROUND pomolo fisso_fixed knob

design Ufficio Tecnico Opentech



AISI304

Supporto_Support

33x74x8mm

EN-179	Icons: Square, Plus, Screwdriver, U-shaped, X-shaped, Bolt, Nut, Washer, Spacer, Lock, Barcode										MECHANISM							
											48	19	33	62	04	5B	08	
7* or 8*	CLAD	⊖	-	3,9x25	43/50	-	-	-	12	1	19804001	-	●	●	●	●	●	●

SECURITY

design Leo De Carlo



SECURITY

design Leo De Carlo



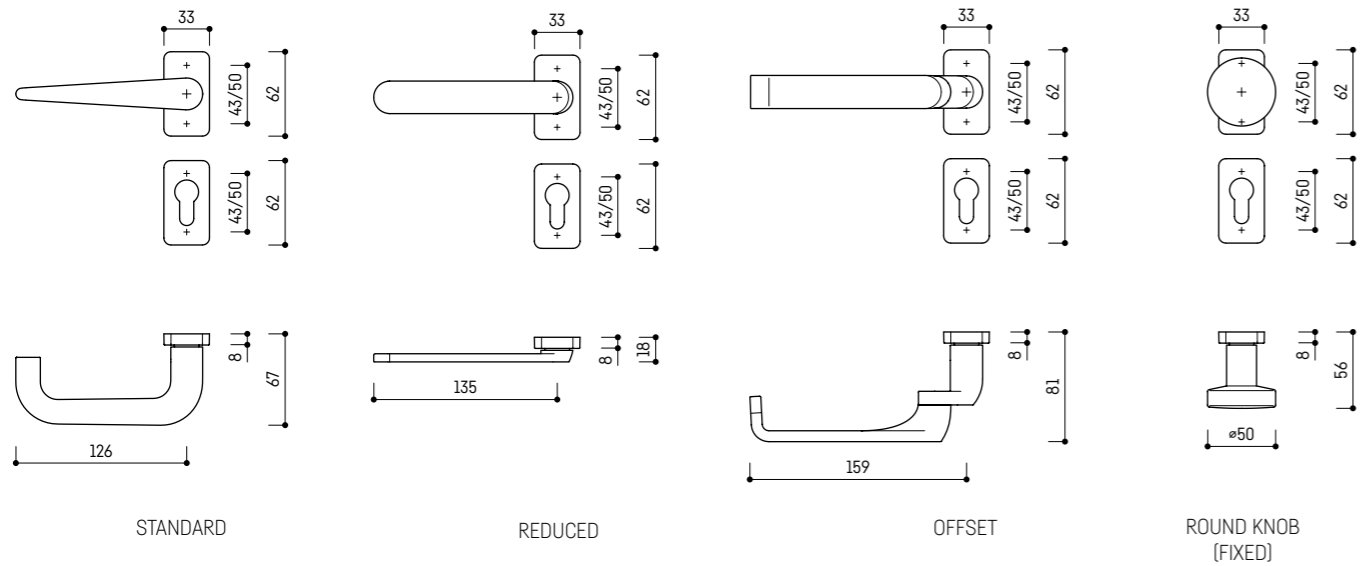
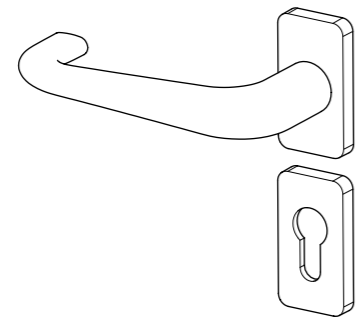
AISI316

Supporto_Support

33x60x8mm

MANIGLIA PER PORTE ESTERNE - SUPPORTO 33x60x8mm_EXTERNAL DOORS HANDLE - SUPPORT 33x60x8mm

CARATTERISTICHE_FEATURES				FISSAGGIO_FIXING				FINITURE_FINISHES				OPZIONI_OPTIONS					
B	CLAO	R	W	+	+	+	+	CLASS 5	CLASS 5	CLASS 5	CLASS 5	CLASS 5	CLASS 5	+	REI-60	EN-179	IP-65



VERSIONI DISPONIBILI_AVAILABLE VERSIONS

VERSIONI DISPONIBILI_AVAILABLE VERSIONS					CAPITOLATO_SPECIFICATION EN-1906
					Per una descrizione dettagliata di tutte le specifiche tecniche presenti nel prodotto, da impiegare nei capitolati o nelle offerte pubbliche, fate riferimento alla sezione CAPITOLATI for a detailed description of all the technical informations contained in the product, to be used in the specifications or in public tenders, please refer to the SPECIFICATIONS section.
					NORMA EN 1906_EN 1906 NORM 4 7 - 0 0 5 0 B

	Icon	Icon	Icon	Icon	Icon	Icon	Icon	Icon	Icon	Icon	Icon	FINITURE_FINISHES							
												AISI316	AISI304	BLACK MATT 9005 G6	PLATINUM	BLACK PEARL	COPPER PEARL	NOIR PEARL	
	8*	CLAO	W	+	-	3,9x25	43/50	-	-	24	1	10770001	48	19	33	62	04	5B	08
	7*	CLAO	W	+	-	3,9x25	43/50	-	-	24	1	10770002	48	19	33	62	04	5B	08
	8*	CLAO	W	+	-	3,9x25	43/50	-	-	24	1	10778001	48	19	33	62	04	5B	08
	7*	CLAO	W	+	-	3,9x25	43/50	-	-	24	1	10778002	48	19	33	62	04	5B	08
	8/170	CLAO	W	+	60-90	3,9x25	43/50	-	-	24	1	10770003	48	19	33	62	04	5B	08
	7/170	CLAO	W	+	60-90	3,9x25	43/50	-	-	24	1	10770005	48	19	33	62	04	5B	08
	8/170	CLAO	W	+	60-90	3,9x25	43/50	-	-	24	1	10778003	48	19	33	62	04	5B	08
	7/170	CLAO	W	+	60-90	3,9x25	43/50	-	-	24	1	10778005	48	19	33	62	04	5B	08
	8/170	CLAO	W	+	60-90	3,9x25	43/50	-	-	24	1	10770004	48	19	33	62	04	5B	08
	7/170	CLAO	W	+	60-90	3,9x25	43/50	-	-	24	1	10770006	48	19	33	62	04	5B	08
	8/170	CLAO	W	+	60-90	3,9x25	43/50	-	-	24	1	10778004	48	19	33	62	04	5B	08
	7/170	CLAO	W	+	60-90	3,9x25	43/50	-	-	24	1	10778006	48	19	33	62	04	5B	08
	-				-	3,9x25	43/50	-	-	24	4	06525139	48	19	33	62	04	5B	08
	8/110	CLAO	W	+	45-60	3,9x25	43/50	-	-	12	1	19470001	48	19	33	62	04	5B	08
	8/125	CLAO	W	+	60-75	3,9x25	43/50	-	-	12	1	19470002	48	19	33	62	04	5B	08
	8/140	CLAO	W	+	75-90	3,9x25	43/50	-	-	12	1	19470003	48	19	33	62	04	5B	08
	8/110	CLAO	W	+	45-60	3,9x25	43/50	-	-	12	1	19478001	48	19	33	62	04	5B	08
	8/125	CLAO	W	+	60-75	3,9x25	43/50	-	-	12	1	19478002	48	19	33	62	04	5B	08
	8/140	CLAO	W	+	75-90	3,9x25	43/50	-	-	12	1	19478003	48	19	33	62	04	5B	08
	8*	CLAO	W	+	-	3,9x25	43/50	-	-	24	1	18870001	48	19	33	62	04	5B	08

Opzioni_Options



IRON

Supporto_Support

Ferro standard_Standard spindle

													MECHANISM 26
7/140		-	30-70	-	-	-	-	-	10	8	06727634		
7/150		-	40-80	-	-	-	-	-	10	8	06727485		
7/160		-	50-90	-	-	-	-	-	10	8	06727635		
7/180		-	70-110	-	-	-	-	-	10	8	06727199		
7/185		-	75-115	-	-	-	-	-	10	8	06727200		
7/195		-	85-125	-	-	-	-	-	10	8	06727201		
8/140		-	30-70	-	-	-	-	-	10	8	06727422		
8/150		-	40-80	-	-	-	-	-	10	8	06727643		
8/160		-	50-90	-	-	-	-	-	10	8	06727996		
8/180		-	70-110	-	-	-	-	-	10	8	06727466		
8/185		-	75-115	-	-	-	-	-	10	8	06727499		
8/195		-	85-125	-	-	-	-	-	10	8	06727500		

Opzioni_Options



IRON

Supporto_Support

Ferro uscita emergenza EN-179_Emergency exit EN-179 spindle

													MECHANISM 26
8/140		-	30-70	-	-	-	-	-	10	8	06727522		
8/150		-	40-80	-	-	-	-	-	10	8	06727524		
8/160		-	50-90	-	-	-	-	-	10	8	06727526		
8/180		-	70-110	-	-	-	-	-	10	8	06727530		
8/185		-	75-115	-	-	-	-	-	10	8	06727531		
8/195		-	85-125	-	-	-	-	-	10	8	06727532		
8-9-8/140		-	30-70	-	-	-	-	-	10	8	06727538		
8-9-8/150		-	40-80	-	-	-	-	-	10	8	06727540		
8-9-8/160		-	50-90	-	-	-	-	-	10	8	06727542		
8-9-8/180		-	70-110	-	-	-	-	-	10	8	06727546		
8-9-8/185		-	75-115	-	-	-	-	-	10	8	06727547		
8-9-8/195		-	85-125	-	-	-	-	-	10	8	06727548		

Opzioni_Options



IRON

Supporto_Support

1/2 ferro ancora_1/2 anchor spindle

													MECHANISM 26
8/60		-	-	-	-	-	-	-	10	8	06727462		
8/70		-	-	-	-	-	-	-	10	8	06727427		
8/80		-	-	-	-	-	-	-	10	8	06727428		
8/90		-	-	-	-	-	-	-	10	8	06727429		
8/100		-	-	-	-	-	-	-	10	8	06727463		
7/60		-	-	-	-	-	-	-	10	8	06727432		
7/70		-	-	-	-	-	-	-	10	8	06727433		
7/80		-	-	-	-	-	-	-	10	8	06727434		
7/90		-	-	-	-	-	-	-	10	8	06727435		
7/100		-	-	-	-	-	-	-	10	8	06727436		

ROUND pomolo fisso_fixed knob

design Ufficio Tecnico Opentech



AISI304

Supporto_Support

33x60x8mm

													AISI316 48	AISI304 19	BLACK MATT POM06 33	PLATINUM 62	BLACK PEARL 04	COPPER PEARL 5B	NOIR PEARL 08
7" or 8"			-	3,9x25	43/50	-	-	-	12	1	19870001	-							

Opzioni_Options



IRON

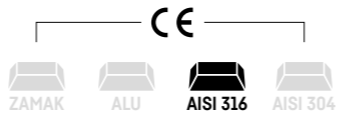
Supporto_Support

1/2 ferro per pomolo fisso_1/2 fixed knob spindle

													MECHANISM 26
7/90		-	45-55	-	-	-	-	-	10	8	06727507		
7/100		-	50-65	-	-	-	-	-	10	8	06727508		
7/110		-	60-75	-	-	-	-	-	10	8	06727509		
7/120		-	70-85	-	-	-	-	-	10	8	06727510		
7/130		-	80-95	-	-	-	-	-	10	8	06727551		
7/140		-	90-105	-	-	-	-	-	10	8	06727552		
8/90		-	45-55	-	-	-	-	-	10	8	06727503		
8/100		-	50-65	-	-	-	-	-	10	8	06727504		
8/110		-	60-75	-	-	-	-	-	10	8	06727505		
8/120		-	70-85	-	-	-	-	-	10	8	06727506		
8/130		-	80-95	-	-	-	-	-	10	8	06727549		
8/140		-	90-105	-	-	-	-	-	10	8	06727550		

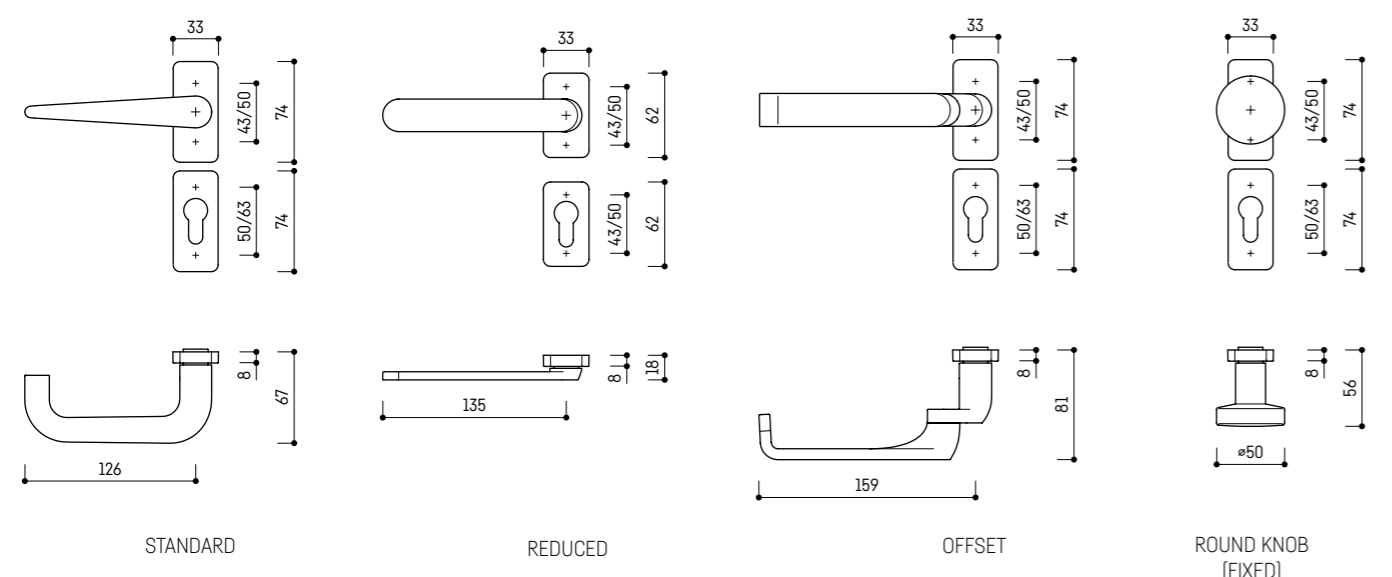
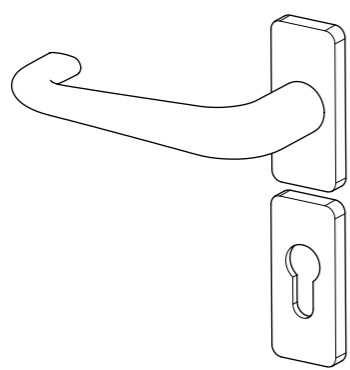
SECURITY

design Leo De Carlo



MANIGLIA PER PORTE ESTERNE - SUPPORTO 33x74x8mm_EXTERNAL DOORS HANDLE - SUPPORT 33x74x8mm

CARATTERISTICHE_FEATURES						FISSAGGIO_FIXING						FINITURE_FINISHES						OPZIONI_OPTIONS								
B	CLAO	R	W	+	+	⊙	⊖	⊕	⊗	⊘	⊙	304	316	CLASS	CLASS 5	CLASS 5	CLASS 5	CLASS 5	+	+	+	+	REI-60	EN-179	IP-65	



VERSIONI DISPONIBILI_AVAILABLE VERSIONS

CAPITOLATO_SPECIFICATION

Per una descrizione dettagliata di tutte le specifiche tecniche presenti nel prodotto, da impiegare nei capitolati o nelle offerte pubbliche, fate riferimento alla sezione CAPITOLATI. For a detailed description of all the technical informations contained in the product, to be used in the specifications or in public tenders, please refer to the SPECIFICATIONS section.

NORMA EN 1906_EN 1906 NORM

4 | 7 | - | 0 | 0 | 5 | 0 | B

SECURITY

design Leo De Carlo



AISI316

Supporto_Support

33x74x8mm

												AISI316	AISI304	BLACK MATT 9005 G6	PLATINUM	BLACK PEARL	COPPER PEARL	NOR PEARL	
	8*	CLAO	+	⊖	-	3,9x25	43/50	-	-	24	1	10704013	48	19	33	62	04	5B	0B
	8/170	CLAO	+	⊖	60-90	3,9x25	43/50	-	-	24	1	10704014							
	8/170	CLAO	+	⊖	60-90	3,9x25	43/50 50/63	-	-	24	1	10704015							
	-	-	-	⊖	-	3,9x25	50/63	-	-	24	4	6525138							
	8/110	CLAO	+	⊖	45-60	3,9x25	43/50	-	-	12	1	19404001							
	8/125	CLAO	+	⊖	60-75	3,9x25	43/50	-	-	12	1	19404002							
	8/140	CLAO	+	⊖	75-90	3,9x25	43/50	-	-	12	1	19404003							
	8*	CLAO	+	⊖	-	3,9x25	50 63	-	-	24	1	18804001							

Opzioni_Options



IRON

Supporto_Support

Ferro standard_Standard spindle

												MECHANISM							
	7/140	CLAO	-	30-70	-	-	-	-	-	10	8	06727634							
	7/150	CLAO	-	40-80	-	-	-	-	-	10	8	06727485							
	7/160	CLAO	-	50-90	-	-	-	-	-	10	8	06727635							
	7/180	CLAO	-	70-110	-	-	-	-	-	10	8	06727199							
	7/185	CLAO	-	75-115	-	-	-	-	-	10	8	06727200							
	7/195	CLAO	-	85-125	-	-	-	-	-	10	8	06727201							
	8/140	CLAO	-	30-70	-	-	-	-	-	10	8	06727422							
	8/150	CLAO	-	40-80	-	-	-	-	-	10	8	06727643							
	8/160	CLAO	-	50-90	-	-	-	-	-	10	8	06727996							
	8/180	CLAO	-	70-110	-	-	-	-	-	10	8	06727466							
	8/185	CLAO	-	75-115	-	-	-	-	-	10	8	06727499							
	8/195	CLAO	-	85-125	-	-	-	-	-	10	8	06727500							

Opzioni_Options -



IRON

Supporto_Support

Ferro uscita emergenza EN-179_Emergency exit EN-179 spindle

EN-179	MECHANISM											
	8/140	8/150	8/160	8/180	8/185	8/195	8-9-8/140	8-9-8/150	8-9-8/160	8-9-8/180	8-9-8/185	8-9-8/195
	CLAD	CLAD	CLAD	CLAD	CLAD	CLAD	CLAD	CLAD	CLAD	CLAD	CLAD	CLAD
	-	-	-	-	-	-	-	-	-	-	-	-
	30-70	40-80	50-90	70-110	75-115	85-125	30-70	40-80	50-90	70-110	75-115	85-125
	-	-	-	-	-	-	-	-	-	-	-	-
	10	10	10	10	10	10	10	10	10	10	10	10
	8	8	8	8	8	8	8	8	8	8	8	8
	06727522	06727524	06727526	06727530	06727531	06727532	06727538	06727540	06727542	06727546	06727547	06727548

Opzioni_Options -



IRON

Supporto_Support

1/2 ferro ancora_1/2 anchor spindle

	MECHANISM											
	8/60	8/70	8/80	8/90	8/100	8/60	8/70	8/80	8/90	8/100	8/60	8/70
	CLAD	CLAD	CLAD	CLAD	CLAD	CLAD	CLAD	CLAD	CLAD	CLAD	CLAD	CLAD
	-	-	-	-	-	-	-	-	-	-	-	-
	-	-	-	-	-	-	-	-	-	-	-	-
	10	10	10	10	10	10	10	10	10	10	10	10
	8	8	8	8	8	8	8	8	8	8	8	8
	06727462	06727427	06727428	06727429	06727463	06727432	06727433	06727434	06727435	06727436		

ROUND pomolo fisso_fixed knob

design Ufficio Tecnico Opentech



AISI304

Supporto_Support

33x74x8mm

7* or 8*	MECHANISM										
	48	19	33	62	04	5B	08				
	CLAD	CLAD	CLAD	CLAD	CLAD	CLAD	CLAD				
	-	-	-	-	-	-	-				
	3,9x25	43/50									
	-	-	-	-	-	-	-				
	12	1									
	1										
	19804001										

Opzioni_Options -



IRON

Supporto_Support

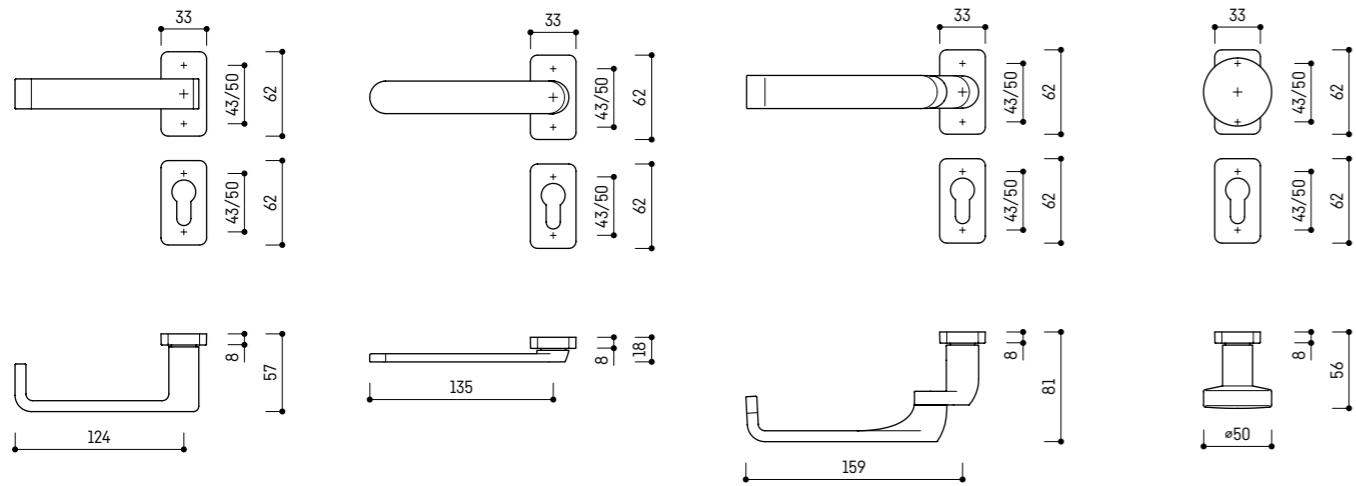
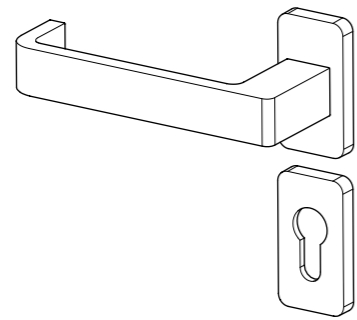
1/2 ferro per pomolo fisso_1/2 fixed knob spindle

	MECHANISM											
	7/90	7/100	7/110	7/120	7/130	7/140	8/90	8/100	8/110	8/120	8/130	8/140
	CLAD	CLAD	CLAD	CLAD	CLAD	CLAD	CLAD	CLAD	CLAD	CLAD	CLAD	CLAD
	-	-	-	-	-	-	-	-	-	-	-	-
	45-55	50-65	60-75	70-85	80-95	90-105	45-55	50-65	60-75	70-85	80-95	90-105
	-	-	-	-	-	-	-	-	-	-	-	-
	10	10	10	10	10	10	10	10	10	10	10	10
	8	8	8	8	8	8	8	8	8	8	8	8
	06727507	06727508	06727509	06727510	06727551	06727552	06727503	06727504	06727505	06727506	06727549	06727550



MANIGLIA PER PORTE ESTERNE - SUPPORTO 33x60x8mm_EXTERNAL DOORS HANDLE - SUPPORT 33x60x8mm

CARATTERISTICHE_FEATURES				FISSAGGIO_FIXING				FINITURE_FINISHES				OPZIONI_OPTIONS								



STANDARD

REDUCED

OFFSET

ROUND KNOB
(FIXED)

VERSIONI DISPONIBILI_AVAILABLE VERSIONS

VERSIONI DISPONIBILI_AVAILABLE VERSIONS					CAPITOLATO_SPECIFICATION
					<p>Per una descrizione dettagliata di tutte le specifiche tecniche presenti nel prodotto, da impiegare nei capitolati o nelle offerte pubbliche, fate riferimento alla sezione CAPITOLATI for a detailed description of all the technical informations contained in the product, to be used in the specifications or in public tenders, please refer to the SPECIFICATIONS section.</p> <p>NORMA EN 1906 _EN 1906 NORM</p> <p>4 7 - 0 0 5 0 B</p>

	Icon	Icon	Icon	Icon	Icon	Icon	Icon	Icon	Icon	Icon	Icon	FINITURE_FINISHES								
												AISI316	AISI304	BLACK MATT 9005 G6	PLATINUM	BLACK PEARL	COPPER PEARL	NOIR PEARL		
	8"				-	3,9x25	43/50	-	-	24	1	10670001	●	-	-	●	-	-	-	-
	7"				-	3,9x25	43/50	-	-	24	1	10670002	●	-	-	●	-	-	-	-
	8"				-	3,9x25	43/50	-	-	24	1	10678001	●	-	-	●	-	-	-	-
	7"				-	3,9x25	43/50	-	-	24	1	10678002	●	-	-	●	-	-	-	-
	8/170				60-90	3,9x25	43/50	-	-	24	1	10670003	●	-	-	●	-	-	-	-
	7/170				60-90	3,9x25	43/50	-	-	24	1	10670005	●	-	-	●	-	-	-	-
	8/170				60-90	3,9x25	43/50	-	-	24	1	10678003	●	-	-	●	-	-	-	-
	7/170				60-90	3,9x25	43/50	-	-	24	1	10678005	●	-	-	●	-	-	-	-
	8/170				60-90	3,9x25	43/50	-	-	24	1	10670004	●	-	-	●	-	-	-	-
	7/170				60-90	3,9x25	43/50	-	-	24	1	10670006	●	-	-	●	-	-	-	-
	8/170				60-90	3,9x25	43/50	-	-	24	1	10678004	●	-	-	●	-	-	-	-
	7/170				60-90	3,9x25	43/50	-	-	24	1	10678006	●	-	-	●	-	-	-	-
	-			-	3,9x25	43/50	-	-	24	4	06525139	●	●	●	●	●	●	●	●	
	8/110				45-60	3,9x25	43/50	-	-	12	1	19470001	-	●	●	●	●	●	●	●
	8/125				60-75	3,9x25	43/50	-	-	12	1	19470002	-	●	●	●	●	●	●	●
	8/140				75-90	3,9x25	43/50	-	-	12	1	19470003	-	●	●	●	●	●	●	●
	8/110				45-60	3,9x25	43/50	-	-	12	1	19478001	-	●	●	●	●	●	●	●
	8/125				60-75	3,9x25	43/50	-	-	12	1	19478002	-	●	●	●	●	●	●	●
	8/140				75-90	3,9x25	43/50	-	-	12	1	19478003	-	●	●	●	●	●	●	●
	8"				-	3,9x25	43/50	-	-	24	1	18870001	-	-	●	●	●	●	●	●

Opzioni_Options -



IRON

Supporto_Support

Ferro uscita emergenza EN-179_Emergency exit EN-179 spindle

EN-179	MECHANISM										26
	■	+	⌵	⌵	⌵	⌵	⌵	⌵	⌵	⌵	
8/140	CLAD	-	30-70	-	-	-	-	10	8	06727522	●
8/150	CLAD	-	40-80	-	-	-	-	10	8	06727524	●
8/160	CLAD	-	50-90	-	-	-	-	10	8	06727526	●
8/180	CLAD	-	70-110	-	-	-	-	10	8	06727530	●
8/185	CLAD	-	75-115	-	-	-	-	10	8	06727531	●
8/195	CLAD	-	85-125	-	-	-	-	10	8	06727532	●
8-9-8/140	CLAD	-	30-70	-	-	-	-	10	8	06727538	●
8-9-8/150	CLAD	-	40-80	-	-	-	-	10	8	06727540	●
8-9-8/160	CLAD	-	50-90	-	-	-	-	10	8	06727542	●
8-9-8/180	CLAD	-	70-110	-	-	-	-	10	8	06727546	●
8-9-8/185	CLAD	-	75-115	-	-	-	-	10	8	06727547	●
8-9-8/195	CLAD	-	85-125	-	-	-	-	10	8	06727548	●

Opzioni_Options -



IRON

Supporto_Support

1/2 ferro ancora_1/2 anchor spindle

	MECHANISM										26
	■	+	⌵	⌵	⌵	⌵	⌵	⌵	⌵	⌵	
8/60	CLAD	-	-	-	-	-	-	10	8	06727462	●
8/70	CLAD	-	-	-	-	-	-	10	8	06727427	●
8/80	CLAD	-	-	-	-	-	-	10	8	06727428	●
8/90	CLAD	-	-	-	-	-	-	10	8	06727429	●
8/100	CLAD	-	-	-	-	-	-	10	8	06727463	●
7/60	CLAD	-	-	-	-	-	-	10	8	06727432	●
7/70	CLAD	-	-	-	-	-	-	10	8	06727433	●
7/80	CLAD	-	-	-	-	-	-	10	8	06727434	●
7/90	CLAD	-	-	-	-	-	-	10	8	06727435	●
7/100	CLAD	-	-	-	-	-	-	10	8	06727436	●

ROUND pomolo fisso_fixed knob

design Ufficio Tecnico Opentech



AISI304

Supporto_Support

33x74x8mm

7" or 8"	MECHANISM										48	19	33	62	04	5B	08
	■	+	⌵	⌵	⌵	⌵	⌵	⌵	⌵	⌵							
7" or 8"	CLAD	⊖	-	3,9x25	43/50	-	-	12	1	19804001	●	●	●	●	●	●	

Opzioni_Options -



IRON

Supporto_Support

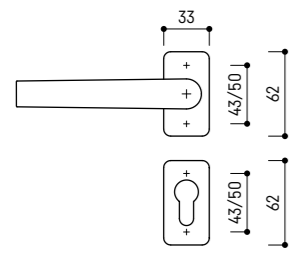
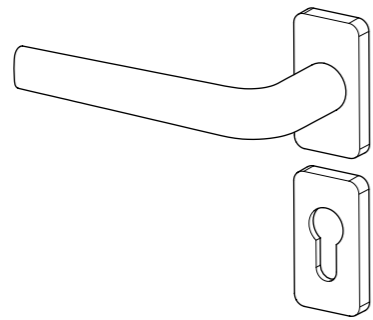
1/2 ferro per pomolo fisso_1/2 fixed knob spindle

	MECHANISM										26
	■	+	⌵	⌵	⌵	⌵	⌵	⌵	⌵	⌵	
7/90	CLAD	-	45-55	-	-	-	-	10	8	06727507	●
7/100	CLAD	-	50-65	-	-	-	-	10	8	06727508	●
7/110	CLAD	-	60-75	-	-	-	-	10	8	06727509	●
7/120	CLAD	-	70-85	-	-	-	-	10	8	06727510	●
7/130	CLAD	-	80-95	-	-	-	-	10	8	06727551	●
7/140	CLAD	-	90-105	-	-	-	-	10	8	06727552	●
8/90	CLAD	-	45-55	-	-	-	-	10	8	06727503	●
8/100	CLAD	-	50-65	-	-	-	-	10	8	06727504	●
8/110	CLAD	-	60-75	-	-	-	-	10	8	06727505	●
8/120	CLAD	-	70-85	-	-	-	-	10	8	06727506	●
8/130	CLAD	-	80-95	-	-	-	-	10	8	06727549	●
8/140	CLAD	-	90-105	-	-	-	-	10	8	06727550	●

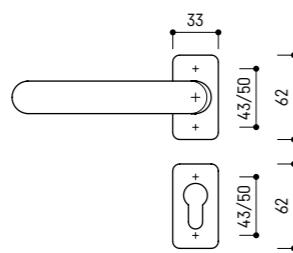


MANIGLIA PER PORTE ESTERNE - SUPPORTO 33x60x8mm_EXTERNAL DOORS HANDLE - SUPPORT 33x60x8mm

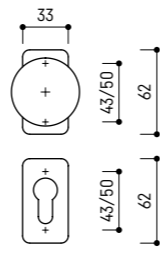
CARATTERISTICHE_FEATURES				FISSAGGIO_FIXING				FINITURE_FINISHES				OPZIONI_OPTIONS				



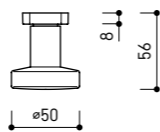
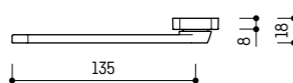
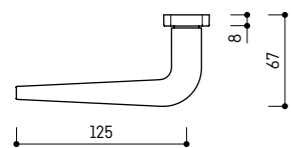
STANDARD



REDUCED



ROUND KNOB (FIXED)



VERSIONI DISPONIBILI_AVAILABLE VERSIONS

CAPITOLATO_SPECIFICATION

Per una descrizione dettagliata di tutte le specifiche tecniche presenti nel prodotto, da impiegare nei capitolati o nelle offerte pubbliche, fate riferimento alla sezione CAPITOLATI for a detailed description of all the technical informations contained in the product, to be used in the specifications or in public tenders, please refer to the SPECIFICATIONS section.

NORMA EN 1906_EN 1906 NORM
4 | 7 | - | 0 | 0 | 5 | 0 | B

Icon	8"	7"	8"	7"	8/170	7/170	8/170	7/170	8/170	7/170	8/170	7/170	8/170	7/170	FINITURE_FINISHES						
															AISI316	AISI304	BLACK MATT 9005 G6	PLATINUM	BLACK PEARL	COPPER PEARL	NOIR PEARL
	10870001	10870002	10878001	10878002	10870003	10870005	10878003	10878005	10870004	10870006	10878004	10878006	06525139	19470001	19470002	19470003	19470004	19470005	19470006		

Opzioni_Options -



IRON

Supporto_Support

Ferro uscita emergenza EN-179_Emergency exit EN-179 spindle

											MECHANISM	
											26	
8/140		-	30-70	-	-	-	-	10	8	06727522		
8/150		-	40-80	-	-	-	-	10	8	06727524		
8/160		-	50-90	-	-	-	-	10	8	06727526		
8/180		-	70-110	-	-	-	-	10	8	06727530		
8/185		-	75-115	-	-	-	-	10	8	06727531		
8/195		-	85-125	-	-	-	-	10	8	06727532		
8-9-8/140		-	30-70	-	-	-	-	10	8	06727538		
8-9-8/150		-	40-80	-	-	-	-	10	8	06727540		
8-9-8/160		-	50-90	-	-	-	-	10	8	06727542		
8-9-8/180		-	70-110	-	-	-	-	10	8	06727546		
8-9-8/185		-	75-115	-	-	-	-	10	8	06727547		
8-9-8/195		-	85-125	-	-	-	-	10	8	06727548		

Opzioni_Options -



IRON

Supporto_Support

1/2 ferro per pomolo fisso_1/2 fixed knob spindle

											MECHANISM	
											26	
7/90		-	45-55	-	-	-	-	10	8	06727507		
7/100		-	50-65	-	-	-	-	10	8	06727508		
7/110		-	60-75	-	-	-	-	10	8	06727509		
7/120		-	70-85	-	-	-	-	10	8	06727510		
7/130		-	80-95	-	-	-	-	10	8	06727551		
7/140		-	90-105	-	-	-	-	10	8	06727552		
8/90		-	45-55	-	-	-	-	10	8	06727503		
8/100		-	50-65	-	-	-	-	10	8	06727504		
8/110		-	60-75	-	-	-	-	10	8	06727505		
8/120		-	70-85	-	-	-	-	10	8	06727506		
8/130		-	80-95	-	-	-	-	10	8	06727549		
8/140		-	90-105	-	-	-	-	10	8	06727550		

Opzioni_Options -



IRON

Supporto_Support

1/2 ferro ancora_1/2 anchor spindle

											MECHANISM	
											26	
8/60		-	-	-	-	-	-	10	8	06727462		
8/70		-	-	-	-	-	-	10	8	06727427		
8/80		-	-	-	-	-	-	10	8	06727428		
8/90		-	-	-	-	-	-	10	8	06727429		
8/100		-	-	-	-	-	-	10	8	06727463		
7/60		-	-	-	-	-	-	10	8	06727432		
7/70		-	-	-	-	-	-	10	8	06727433		
7/80		-	-	-	-	-	-	10	8	06727434		
7/90		-	-	-	-	-	-	10	8	06727435		
7/100		-	-	-	-	-	-	10	8	06727436		

ROUND pomolo fisso_fixed knob

design Ufficio Tecnico Opentech



AISI304

Supporto_Support

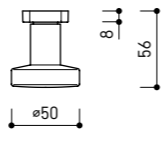
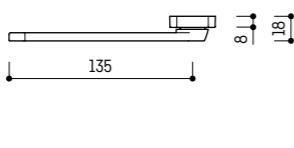
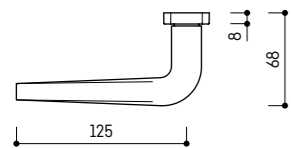
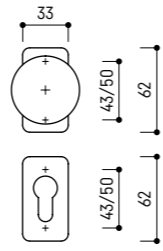
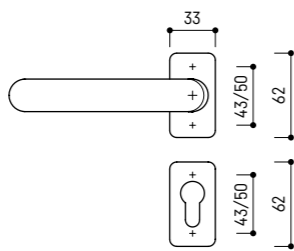
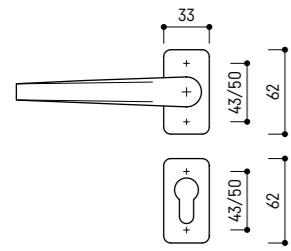
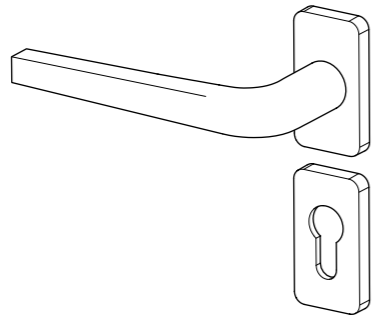
33x74x8mm

											MECHANISM						
											48	19	33	62	04	5B	08
7* or 8*			-	3,9x25	43/50	-	-	12	1	19804001							



MANIGLIA PER PORTE ESTERNE - SUPPORTO 33x60x8mm_EXTERNAL DOORS HANDLE - SUPPORT 33x60x8mm

CARATTERISTICHE_FEATURES				FISSAGGIO_FIXING				FINITURE_FINISHES				OPZIONI_OPTIONS				



STANDARD

REDUCED

ROUND KNOB
(FIXED)

VERSIONI DISPONIBILI_AVAILABLE VERSIONS

CAPITOLATO_SPECIFICATION



Per una descrizione dettagliata di tutte le specifiche tecniche presenti nel prodotto, da impiegare nei capitolati o nelle offerte pubbliche, fate riferimento alla sezione CAPITOLATI. For a detailed description of all the technical informations contained in the product, to be used in the specifications or in public tenders, please refer to the SPECIFICATIONS section.

NORMA EN 1906 _EN 1906 NORM
4 | 7 | - | 0 | 0 | 5 | 0 | B

	8"				-	3,9x25	43/50	-	-	24	1	10470001							
	7"				-	3,9x25	43/50	-	-	24	1	10470002							
	8"				-	3,9x25	43/50	-	-	24	1	10478001							
	7"				-	3,9x25	43/50	-	-	24	1	10478002							
	8/170				60-90	3,9x25	43/50	-	-	24	1	10470003							
	7/170				60-90	3,9x25	43/50	-	-	24	1	10470005							
	8/170				60-90	3,9x25	43/50	-	-	24	1	10478003							
	7/170				60-90	3,9x25	43/50	-	-	24	1	10478005							
	8/170				60-90	3,9x25	43/50	-	-	24	1	10470004							
	7/170				60-90	3,9x25	43/50	-	-	24	1	10470006							
	8/170				60-90	3,9x25	43/50	-	-	24	1	10478004							
	7/170				60-90	3,9x25	43/50	-	-	24	1	10478006							
	-	-	-		-	3,9x25	43/50	-	-	24	4	06525139							
	8/110				45-60	3,9x25	43/50	-	-	12	1	19470001							
	8/125				60-75	3,9x25	43/50	-	-	12	1	19470002							
	8/140				75-90	3,9x25	43/50	-	-	12	1	19470003							
	8/110				45-60	3,9x25	43/50	-	-	24	1	19470004							
	8/125				60-75	3,9x25	43/50	-	-	24	1	19470005							
	8/140				75-90	3,9x25	43/50	-	-	24	1	19470006							

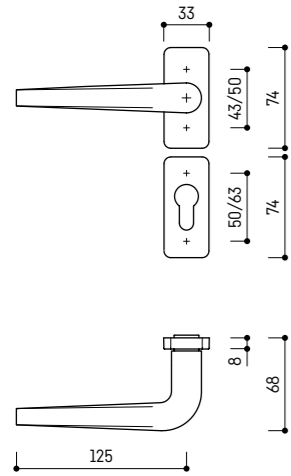
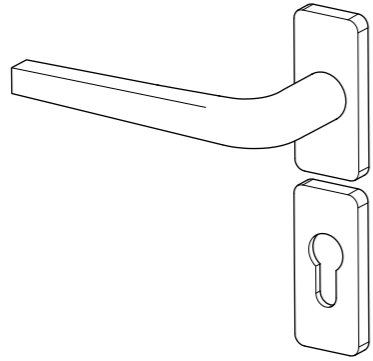
RATIO

design Leo De Carlo

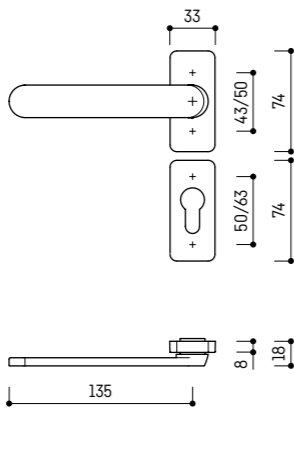


MANIGLIA PER PORTE ESTERNE - SUPPORTO 33x74x8mm_EXTERNAL DOORS HANDLE - SUPPORT 33x74x8mm

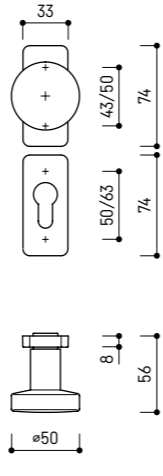
CARATTERISTICHE_FEATURES				FISSAGGIO_FIXING				FINITURE_FINISHES				OPZIONI_OPTIONS					



STANDARD



REDUCED



ROUND KNOB (FIXED)

VERSIONI DISPONIBILI_AVAILABLE VERSIONS

					<p>CAPITOLATO_SPECIFICATION </p> <p>Per una descrizione dettagliata di tutte le specifiche tecniche presenti nel prodotto, da impiegare nei capitolati o nelle offerte pubbliche, fate riferimento alla sezione CAPITOLATI. For a detailed description of all the technical informations contained in the product, to be used in the specifications or in public tenders, please refer to the SPECIFICATIONS section.</p> <p>NORMA EN 1906_EN 1906 NORM</p> <p>4 7 - 0 0 5 0 B</p>

RATIO

design Leo De Carlo



AISI316

Supporto_Support

33x74x8mm

Icon	Material	Finish	Fixing	Length	Height	Width	Depth	Weight	Code	MECHANISM							
										AISI316	AISI304	BLACK MATT 9005 G6	PLATINUM	BLACK PEARL	COPPER PEARL	NOR PEARL	
	8*			-	3,9x25	43/50	-	-	24	1	10404013	●	-	-	-	-	-
	8/170			60-90	3,9x25	43/50	-	-	24	1	10404014	●	-	-	-	-	-
	8/170			60-90	3,9x25	43/50 50/63	-	-	24	1	10404015	●	-	-	-	-	-
	-	-		-	3,9x25	50/63	-	-	24	4	6525138	●	●	●	●	●	●
	8/110			45-60	3,9x25	43/50	-	-	12	1	19404001	-	●	●	●	●	●
	8/125			60-75	3,9x25	43/50	-	-	12	1	19404002	-	●	●	●	●	●
	8/140			75-90	3,9x25	43/50	-	-	12	1	19404003	-	●	●	●	●	●

Opzioni_Options



IRON

Supporto_Support

Ferro standard_Standard spindle

Icon	Material	Finish	Fixing	Length	Height	Width	Depth	Weight	Code	MECHANISM	
										26	
	7/140		-	30-70	-	-	-	10	8	06727634	●
	7/150		-	40-80	-	-	-	10	8	06727485	●
	7/160		-	50-90	-	-	-	10	8	06727635	●
	7/180		-	70-110	-	-	-	10	8	06727199	●
	7/185		-	75-115	-	-	-	10	8	06727200	●
	7/195		-	85-125	-	-	-	10	8	06727201	●
	8/140		-	30-70	-	-	-	10	8	06727422	●
	8/150		-	40-80	-	-	-	10	8	06727643	●
	8/160		-	50-90	-	-	-	10	8	06727996	●
	8/180		-	70-110	-	-	-	10	8	06727466	●
	8/185		-	75-115	-	-	-	10	8	06727499	●
	8/195		-	85-125	-	-	-	10	8	06727500	●

Opzioni_Options -



IRON

Supporto_Support

Ferro uscita emergenza EN-179_Emergency exit EN-179 spindle

EN-179											MECHANISM	
											26	
8/140	CLAD	-	30-70	-	-	-	-	10	8	06727522		●
8/150	CLAD	-	40-80	-	-	-	-	10	8	06727524		●
8/160	CLAD	-	50-90	-	-	-	-	10	8	06727526		●
8/180	CLAD	-	70-110	-	-	-	-	10	8	06727530		●
8/185	CLAD	-	75-115	-	-	-	-	10	8	06727531		●
8/195	CLAD	-	85-125	-	-	-	-	10	8	06727532		●
8-9-8/140	CLAD	-	30-70	-	-	-	-	10	8	06727538		●
8-9-8/150	CLAD	-	40-80	-	-	-	-	10	8	06727540		●
8-9-8/160	CLAD	-	50-90	-	-	-	-	10	8	06727542		●
8-9-8/180	CLAD	-	70-110	-	-	-	-	10	8	06727546		●
8-9-8/185	CLAD	-	75-115	-	-	-	-	10	8	06727547		●
8-9-8/195	CLAD	-	85-125	-	-	-	-	10	8	06727548		●

Opzioni_Options -



IRON

Supporto_Support

1/2 ferro per pomolo fisso_1/2 fixed knob spindle

											MECHANISM	
											26	
7/90	CLAD	-	45-55	-	-	-	-	10	8	06727507		●
7/100	CLAD	-	50-65	-	-	-	-	10	8	06727508		●
7/110	CLAD	-	60-75	-	-	-	-	10	8	06727509		●
7/120	CLAD	-	70-85	-	-	-	-	10	8	06727510		●
7/130	CLAD	-	80-95	-	-	-	-	10	8	06727551		●
7/140	CLAD	-	90-105	-	-	-	-	10	8	06727552		●
8/90	CLAD	-	45-55	-	-	-	-	10	8	06727503		●
8/100	CLAD	-	50-65	-	-	-	-	10	8	06727504		●
8/110	CLAD	-	60-75	-	-	-	-	10	8	06727505		●
8/120	CLAD	-	70-85	-	-	-	-	10	8	06727506		●
8/130	CLAD	-	80-95	-	-	-	-	10	8	06727549		●
8/140	CLAD	-	90-105	-	-	-	-	10	8	06727550		●

Opzioni_Options -



IRON

Supporto_Support

1/2 ferro ancora_1/2 anchor spindle

											MECHANISM	
											26	
8/60	CLAD	-	-	-	-	-	-	10	8	06727462		●
8/70	CLAD	-	-	-	-	-	-	10	8	06727427		●
8/80	CLAD	-	-	-	-	-	-	10	8	06727428		●
8/90	CLAD	-	-	-	-	-	-	10	8	06727429		●
8/100	CLAD	-	-	-	-	-	-	10	8	06727463		●
7/60	CLAD	-	-	-	-	-	-	10	8	06727432		●
7/70	CLAD	-	-	-	-	-	-	10	8	06727433		●
7/80	CLAD	-	-	-	-	-	-	10	8	06727434		●
7/90	CLAD	-	-	-	-	-	-	10	8	06727435		●
7/100	CLAD	-	-	-	-	-	-	10	8	06727436		●

ROUND pomolo fisso_fixed knob

design Ufficio Tecnico Opentech

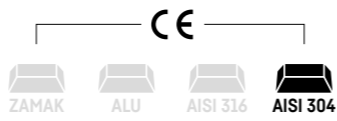


AISI304

Supporto_Support

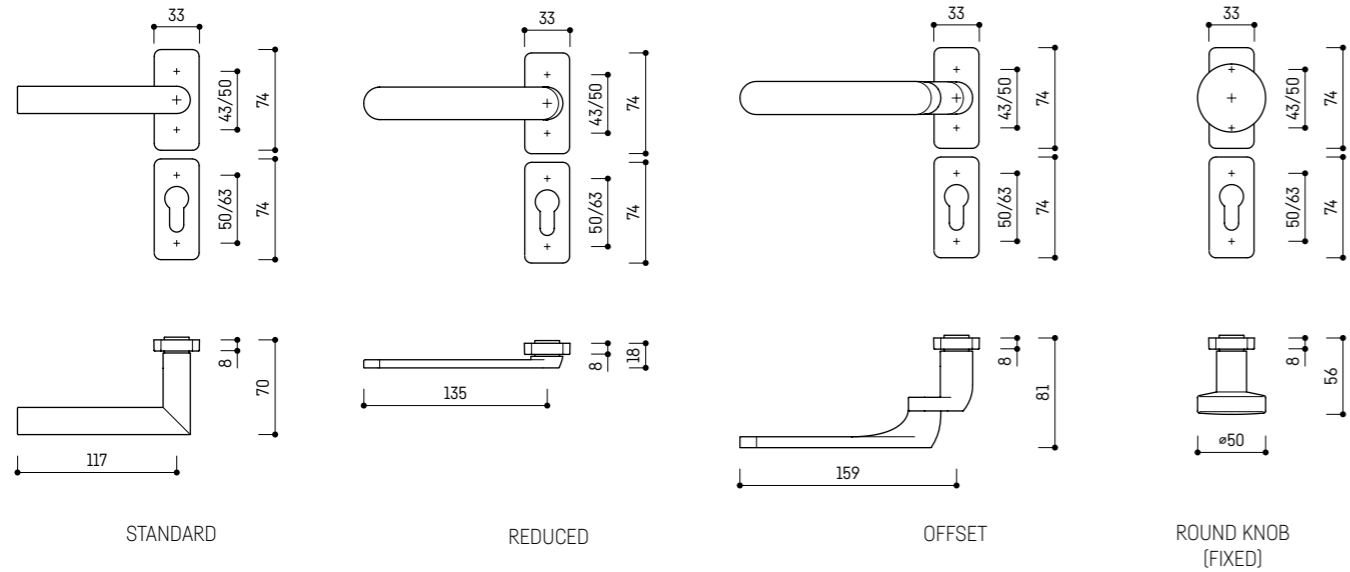
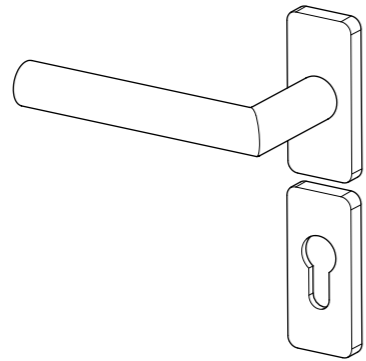
33x74x8mm

7" or 8"											MECHANISM						
											48	19	33	62	04	5B	08
CLAD	CLAD	CLAD	CLAD	CLAD	CLAD	CLAD	CLAD	CLAD	CLAD	CLAD	48	19	33	62	04	5B	08
7" or 8"	CLAD	CLAD	-	3,9x25	43/50	-	-	12	1	19804001	●	●	●	●	●	●	●



MANIGLIA PER PORTE ESTERNE - SUPPORTO 33x74x8mm_EXTERNAL DOORS HANDLE - SUPPORT 33x74x8mm

CARATTERISTICHE_FEATURES				FISSAGGIO_FIXING				FINITURE_FINISHES				OPZIONI_OPTIONS							
								CLASS 5				CLASS 5							



VERSIONI DISPONIBILI_AVAILABLE VERSIONS

VERSIONI DISPONIBILI_AVAILABLE VERSIONS					CAPITOLATO_SPECIFICATION
					Per una descrizione dettagliata di tutte le specifiche tecniche presenti nel prodotto, da impiegare nei capitolati o nelle offerte pubbliche, fate riferimento alla sezione CAPITOLATI for a detailed description of all the technical informations contained in the product, to be used in the specifications or in public tenders, please refer to the SPECIFICATIONS section.
					NORMA EN 1906 _EN 1906 NORM 4 7 - 0 0 5 0 B

Icon	Icon	Icon	Icon	Icon	Icon	Icon	Icon	Icon	Icon	Icon	Icon	MECHANISM							
												AISI316	AISI304	BLACK MATT 9005 G6	PLATINUM	BLACK PEARL	COPPER PEARL	NOR PEARL	
	8*				-	3,9x25	43/50	-	-	24	1	12304030	-	•	•	•	•	•	•
	8/170				60-90	3,9x25	43/50	-	-	24	1	12304031	-	•	•	•	•	•	•
	8/170				60-90	3,9x25	43/50 50/63	-	-	24	1	12304032	-	•	•	•	•	•	•
	-	-	-		-	3,9x25	50/63	-	-	24	4	6525138	•	•	•	•	•	•	•
	8/110				45-60	3,9x25	43/50	-	-	12	1	19404001	-	•	•	•	•	•	•
	8/125				60-75	3,9x25	43/50	-	-	12	1	19404002	-	•	•	•	•	•	•
	8/140				75-90	3,9x25	43/50	-	-	12	1	19404003	-	•	•	•	•	•	•
	8*				-	3,9x25	43/50	-	-	24	1	20104001	-	•	•	•	•	•	•

Opzioni_Options



IRON

Supporto_Support

Ferro standard_Standard spindle

Icon	Icon	Icon	Icon	Icon	Icon	Icon	Icon	Icon	Icon	Icon	Icon	Icon	Icon	MECHANISM
														26
	7/140		-	30-70	-	-	-	-	-	10	8	06727634	•	
	7/150		-	40-80	-	-	-	-	-	10	8	06727485	•	
	7/160		-	50-90	-	-	-	-	-	10	8	06727635	•	
	7/180		-	70-110	-	-	-	-	-	10	8	06727199	•	
	7/185		-	75-115	-	-	-	-	-	10	8	06727200	•	
	7/195		-	85-125	-	-	-	-	-	10	8	06727201	•	
	8/140		-	30-70	-	-	-	-	-	10	8	06727422	•	
	8/150		-	40-80	-	-	-	-	-	10	8	06727643	•	
	8/160		-	50-90	-	-	-	-	-	10	8	06727996	•	
	8/180		-	70-110	-	-	-	-	-	10	8	06727466	•	
	8/185		-	75-115	-	-	-	-	-	10	8	06727499	•	
	8/195		-	85-125	-	-	-	-	-	10	8	06727500	•	

Opzioni_Options -



IRON

Supporto_Support

Ferro uscita emergenza EN-179_Emergency exit EN-179 spindle

EN-179	MECHANISM										26
	■	+	⌘	U	X	X	⌘	⌘	⌘	⌘	
8/140	CLAD	-	30-70	-	-	-	-	10	8	06727522	●
8/150	CLAD	-	40-80	-	-	-	-	10	8	06727524	●
8/160	CLAD	-	50-90	-	-	-	-	10	8	06727526	●
8/180	CLAD	-	70-110	-	-	-	-	10	8	06727530	●
8/185	CLAD	-	75-115	-	-	-	-	10	8	06727531	●
8/195	CLAD	-	85-125	-	-	-	-	10	8	06727532	●
8-9-8/140	CLAD	-	30-70	-	-	-	-	10	8	06727538	●
8-9-8/150	CLAD	-	40-80	-	-	-	-	10	8	06727540	●
8-9-8/160	CLAD	-	50-90	-	-	-	-	10	8	06727542	●
8-9-8/180	CLAD	-	70-110	-	-	-	-	10	8	06727546	●
8-9-8/185	CLAD	-	75-115	-	-	-	-	10	8	06727547	●
8-9-8/195	CLAD	-	85-125	-	-	-	-	10	8	06727548	●

Opzioni_Options -



IRON

Supporto_Support

1/2 ferro ancora_1/2 anchor spindle

	MECHANISM										26
	■	+	⌘	U	X	X	⌘	⌘	⌘	⌘	
8/60	CLAD	-	-	-	-	-	-	10	8	06727462	●
8/70	CLAD	-	-	-	-	-	-	10	8	06727427	●
8/80	CLAD	-	-	-	-	-	-	10	8	06727428	●
8/90	CLAD	-	-	-	-	-	-	10	8	06727429	●
8/100	CLAD	-	-	-	-	-	-	10	8	06727463	●
7/60	CLAD	-	-	-	-	-	-	10	8	06727432	●
7/70	CLAD	-	-	-	-	-	-	10	8	06727433	●
7/80	CLAD	-	-	-	-	-	-	10	8	06727434	●
7/90	CLAD	-	-	-	-	-	-	10	8	06727435	●
7/100	CLAD	-	-	-	-	-	-	10	8	06727436	●

ROUND pomolo fisso_fixed knob

design Ufficio Tecnico Opentech



AISI304

Supporto_Support

33x74x8mm

7" or 8"	MECHANISM										48	19	33	62	04	5B	08
	■	+	⌘	U	X	X	⌘	⌘	⌘	⌘							
7" or 8"	CLAD	⊖	-	3,9x25	43/50	-	-	12	1	19804001	●	●	●	●	●	●	

Opzioni_Options -

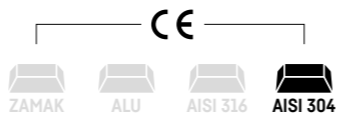


IRON

Supporto_Support

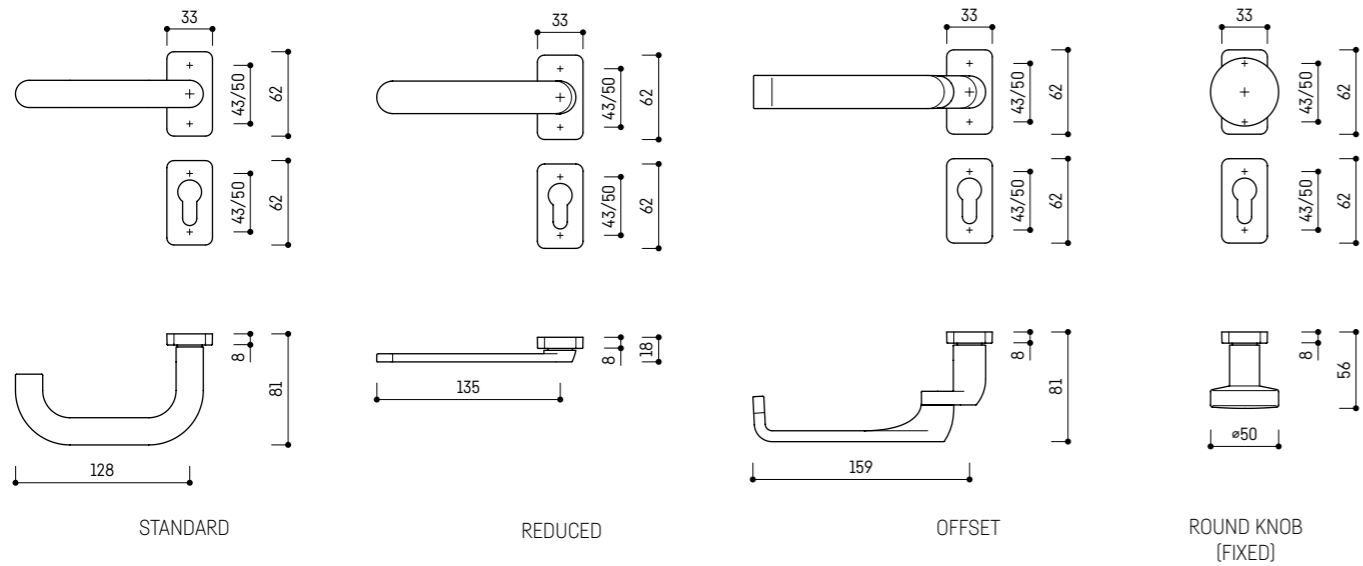
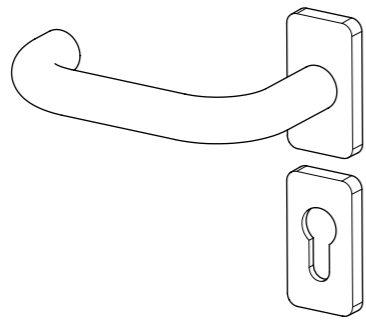
1/2 ferro per pomolo fisso_1/2 fixed knob spindle

	MECHANISM										26
	■	+	⌘	U	X	X	⌘	⌘	⌘	⌘	
7/90	CLAD	-	45-55	-	-	-	-	10	8	06727507	●
7/100	CLAD	-	50-65	-	-	-	-	10	8	06727508	●
7/110	CLAD	-	60-75	-	-	-	-	10	8	06727509	●
7/120	CLAD	-	70-85	-	-	-	-	10	8	06727510	●
7/130	CLAD	-	80-95	-	-	-	-	10	8	06727551	●
7/140	CLAD	-	90-105	-	-	-	-	10	8	06727552	●
8/90	CLAD	-	45-55	-	-	-	-	10	8	06727503	●
8/100	CLAD	-	50-65	-	-	-	-	10	8	06727504	●
8/110	CLAD	-	60-75	-	-	-	-	10	8	06727505	●
8/120	CLAD	-	70-85	-	-	-	-	10	8	06727506	●
8/130	CLAD	-	80-95	-	-	-	-	10	8	06727549	●
8/140	CLAD	-	90-105	-	-	-	-	10	8	06727550	●



MANIGLIA PER PORTE ESTERNE - SUPPORTO 33x60x8mm_EXTERNAL DOORS HANDLE - SUPPORT 33x60x8mm

CARATTERISTICHE_FEATURES				FISSAGGIO_FIXING				FINITURE_FINISHES						OPZIONI_OPTIONS				
								CLASS 5	CLASS 5	CLASS 5	CLASS 5	CLASS 5	CLASS 5					



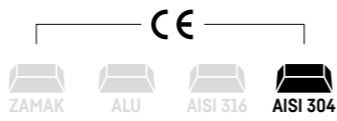
VERSIONI DISPONIBILI_AVAILABLE VERSIONS

CAPITOLATO_SPECIFICATION

Per una descrizione dettagliata di tutte le specifiche tecniche presenti nel prodotto, da impiegare nei capitolati o nelle offerte pubbliche, fate riferimento alla sezione CAPITOLATI. For a detailed description of all the technical informations contained in the product, to be used in the specifications or in public tenders, please refer to the SPECIFICATIONS section.

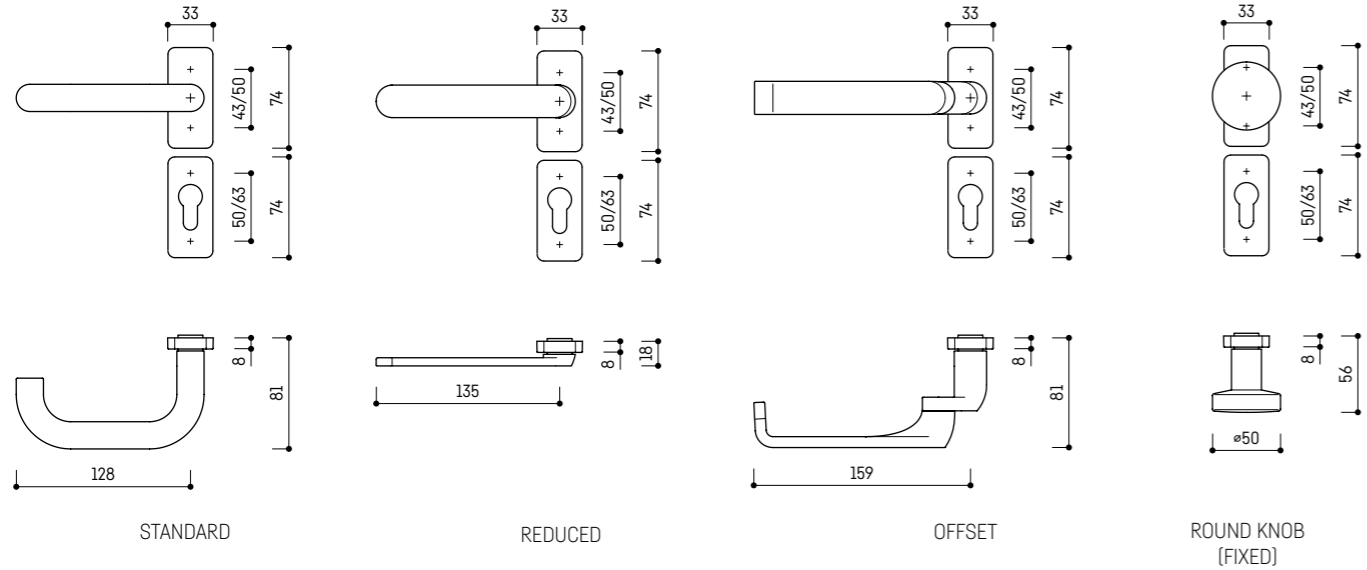
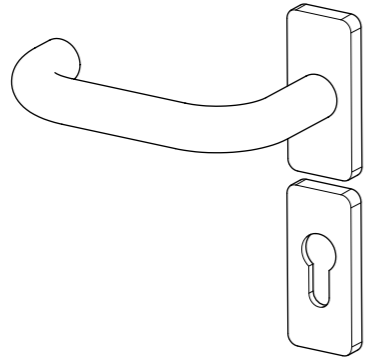
NORMA EN 1906 _EN 1906 NORM
4 | 7 | - | 0 | 0 | 5 | 0 | B

Icon	Dimension	CLAQ	R	W	Screw	Bracket	Bracket	Bracket	Bracket	Bracket	Bracket	Bracket	Bracket	Bracket	Bracket	Bracket	Bracket	Bracket	FINITURE_FINISHES						
																			AISI316	AISI304	BLACK MATT 9005 G6	PLATINUM	BLACK PEARL	COPPER PEARL	NOIR PEARL
	8"																		48	19	33	62	04	5B	08
	7"																								
	8"																								
	7"																								
	8/170																								
	7/170																								
	8/170																								
	7/170																								
	8/170																								
	7/170																								
	8/170																								
	7/170																								
	8/110																								
	8/125																								
	8/140																								
	8/110																								
	8/125																								
	8/140																								
	8/110																								
	8/140																								
	8"																								



MANIGLIA PER PORTE ESTERNE - SUPPORTO 33x74x8mm_EXTERNAL DOORS HANDLE - SUPPORT 33x74x8mm

CARATTERISTICHE_FEATURES				FISSAGGIO_FIXING				FINITURE_FINISHES				OPZIONI_OPTIONS					



VERSIONI DISPONIBILI_AVAILABLE VERSIONS

VERSIONI DISPONIBILI_AVAILABLE VERSIONS					CAPITOLATO_SPECIFICATION
					<p>Per una descrizione dettagliata di tutte le specifiche tecniche presenti nel prodotto, da impiegare nei capitolati o nelle offerte pubbliche, fate riferimento alla sezione CAPITOLATI. For a detailed description of all the technical informations contained in the product, to be used in the specifications or in public tenders, please refer to the SPECIFICATIONS section.</p> <p>NORMA EN 1906_EN 1906 NORM 4 7 - 0 0 5 0 B</p>



	■	+										MECHANISM							
												AISI316 48	AISI304 19	BLACK MATT 9005 G6 33	PLATINUM 62	BLACK PEARL 04	COPPER PEARL 5B	NOR PEARL 08	
	8*				-	3,9x25	43/50	-	-	24	1	12404031	-	●	-	●	-	-	-
	8/170				60-90	3,9x25	43/50	-	-	24	1	12404032	-	●	-	●	-	-	-
	8/170				60-90	3,9x25	43/50 50/63	-	-	24	1	12404033	-	●	-	●	-	-	-
	-	-	-		-	3,9x25	50/63	-	-	24	4	6525138	●	●	●	●	●	●	●
	8/110				45-60	3,9x25	43/50	-	-	12	1	19404001	-	●	●	●	●	●	●
	8/125				60-75	3,9x25	43/50	-	-	12	1	19404002	-	●	●	●	●	●	●
	8/140				75-90	3,9x25	43/50	-	-	12	1	19404003	-	●	●	●	●	●	●
	8*				-	3,9x25	43/50	-	-	24	1	18804001	-	●	-	●	-	-	-

Opzioni_Options



	■	+										MECHANISM	
												26	
	7/140		-	30-70	-	-	-	-	-	10	8	06727634	●
	7/150		-	40-80	-	-	-	-	-	10	8	06727485	●
	7/160		-	50-90	-	-	-	-	-	10	8	06727635	●
	7/180		-	70-110	-	-	-	-	-	10	8	06727199	●
	7/185		-	75-115	-	-	-	-	-	10	8	06727200	●
	7/195		-	85-125	-	-	-	-	-	10	8	06727201	●
	8/140		-	30-70	-	-	-	-	-	10	8	06727422	●
	8/150		-	40-80	-	-	-	-	-	10	8	06727643	●
	8/160		-	50-90	-	-	-	-	-	10	8	06727996	●
	8/180		-	70-110	-	-	-	-	-	10	8	06727466	●
	8/185		-	75-115	-	-	-	-	-	10	8	06727499	●
	8/195		-	85-125	-	-	-	-	-	10	8	06727500	●

Opzioni_Options -



IRON

Supporto_Support

Ferro uscita emergenza EN-179_Emergency exit EN-179 spindle

EN-179	MECHANISM										26
	■	+	⌵	⌵	⌵	⌵	⌵	⌵	⌵	⌵	
8/140	CLAD	-	30-70	-	-	-	-	10	8	06727522	●
8/150	CLAD	-	40-80	-	-	-	-	10	8	06727524	●
8/160	CLAD	-	50-90	-	-	-	-	10	8	06727526	●
8/180	CLAD	-	70-110	-	-	-	-	10	8	06727530	●
8/185	CLAD	-	75-115	-	-	-	-	10	8	06727531	●
8/195	CLAD	-	85-125	-	-	-	-	10	8	06727532	●
8-9-8/140	CLAD	-	30-70	-	-	-	-	10	8	06727538	●
8-9-8/150	CLAD	-	40-80	-	-	-	-	10	8	06727540	●
8-9-8/160	CLAD	-	50-90	-	-	-	-	10	8	06727542	●
8-9-8/180	CLAD	-	70-110	-	-	-	-	10	8	06727546	●
8-9-8/185	CLAD	-	75-115	-	-	-	-	10	8	06727547	●
8-9-8/195	CLAD	-	85-125	-	-	-	-	10	8	06727548	●

Opzioni_Options -



IRON

Supporto_Support

1/2 ferro ancora_1/2 anchor spindle

	MECHANISM										26
	■	+	⌵	⌵	⌵	⌵	⌵	⌵	⌵	⌵	
8/60	CLAD	-	-	-	-	-	-	10	8	06727462	●
8/70	CLAD	-	-	-	-	-	-	10	8	06727427	●
8/80	CLAD	-	-	-	-	-	-	10	8	06727428	●
8/90	CLAD	-	-	-	-	-	-	10	8	06727429	●
8/100	CLAD	-	-	-	-	-	-	10	8	06727463	●
7/60	CLAD	-	-	-	-	-	-	10	8	06727432	●
7/70	CLAD	-	-	-	-	-	-	10	8	06727433	●
7/80	CLAD	-	-	-	-	-	-	10	8	06727434	●
7/90	CLAD	-	-	-	-	-	-	10	8	06727435	●
7/100	CLAD	-	-	-	-	-	-	10	8	06727436	●

ROUND pomolo fisso_fixed knob

design Ufficio Tecnico Opentech



AISI304

Supporto_Support

33x74x8mm

7" or 8"	MECHANISM										48	19	33	62	04	5B	08
	■	+	⌵	⌵	⌵	⌵	⌵	⌵	⌵	⌵							
7" or 8"	CLAD	⊖	-	3,9x25	43/50	-	-	12	1	19804001	-	●	●	●	●	●	●

Opzioni_Options -



IRON

Supporto_Support

1/2 ferro per pomolo fisso_1/2 fixed knob spindle

	MECHANISM										26
	■	+	⌵	⌵	⌵	⌵	⌵	⌵	⌵	⌵	
7/90	CLAD	-	45-55	-	-	-	-	10	8	06727507	●
7/100	CLAD	-	50-65	-	-	-	-	10	8	06727508	●
7/110	CLAD	-	60-75	-	-	-	-	10	8	06727509	●
7/120	CLAD	-	70-85	-	-	-	-	10	8	06727510	●
7/130	CLAD	-	80-95	-	-	-	-	10	8	06727551	●
7/140	CLAD	-	90-105	-	-	-	-	10	8	06727552	●
8/90	CLAD	-	45-55	-	-	-	-	10	8	06727503	●
8/100	CLAD	-	50-65	-	-	-	-	10	8	06727504	●
8/110	CLAD	-	60-75	-	-	-	-	10	8	06727505	●
8/120	CLAD	-	70-85	-	-	-	-	10	8	06727506	●
8/130	CLAD	-	80-95	-	-	-	-	10	8	06727549	●
8/140	CLAD	-	90-105	-	-	-	-	10	8	06727550	●

Opzioni_Options



IRON

Supporto_Support

Ferro standard_Standard spindle

7/140	CLAD	-	30-70	-	-	-	-	10	8	06727634				
7/150	CLAD	-	40-80	-	-	-	-	10	8	06727485				
7/160	CLAD	-	50-90	-	-	-	-	10	8	06727635				
7/180	CLAD	-	70-110	-	-	-	-	10	8	06727199				
7/185	CLAD	-	75-115	-	-	-	-	10	8	06727200				
7/195	CLAD	-	85-125	-	-	-	-	10	8	06727201				
8/140	CLAD	-	30-70	-	-	-	-	10	8	06727422				
8/150	CLAD	-	40-80	-	-	-	-	10	8	06727643				
8/160	CLAD	-	50-90	-	-	-	-	10	8	06727996				
8/180	CLAD	-	70-110	-	-	-	-	10	8	06727466				
8/185	CLAD	-	75-115	-	-	-	-	10	8	06727499				
8/195	CLAD	-	85-125	-	-	-	-	10	8	06727500				

Opzioni_Options



IRON

Supporto_Support

Ferro uscita emergenza EN-179_Emergency exit EN-179 spindle

8/140	CLAD	-	30-70	-	-	-	-	10	8	06727522				
8/150	CLAD	-	40-80	-	-	-	-	10	8	06727524				
8/160	CLAD	-	50-90	-	-	-	-	10	8	06727526				
8/180	CLAD	-	70-110	-	-	-	-	10	8	06727530				
8/185	CLAD	-	75-115	-	-	-	-	10	8	06727531				
8/195	CLAD	-	85-125	-	-	-	-	10	8	06727532				
8-9-8/140	CLAD	-	30-70	-	-	-	-	10	8	06727538				
8-9-8/150	CLAD	-	40-80	-	-	-	-	10	8	06727540				
8-9-8/160	CLAD	-	50-90	-	-	-	-	10	8	06727542				
8-9-8/180	CLAD	-	70-110	-	-	-	-	10	8	06727546				
8-9-8/185	CLAD	-	75-115	-	-	-	-	10	8	06727547				
8-9-8/195	CLAD	-	85-125	-	-	-	-	10	8	06727548				

EN-179

Opzioni_Options



IRON

Supporto_Support

1/2 ferro ancora_1/2 anchor spindle

8/60	CLAD	-	-	-	-	-	-	10	8	06727462				
8/70	CLAD	-	-	-	-	-	-	10	8	06727427				
8/80	CLAD	-	-	-	-	-	-	10	8	06727428				
8/90	CLAD	-	-	-	-	-	-	10	8	06727429				
8/100	CLAD	-	-	-	-	-	-	10	8	06727463				
7/60	CLAD	-	-	-	-	-	-	10	8	06727432				
7/70	CLAD	-	-	-	-	-	-	10	8	06727433				
7/80	CLAD	-	-	-	-	-	-	10	8	06727434				
7/90	CLAD	-	-	-	-	-	-	10	8	06727435				
7/100	CLAD	-	-	-	-	-	-	10	8	06727436				

ROUND pomolo fisso_fixed knob

design Ufficio Tecnico Opentech



Supporto_Support

AISI304

33x60x8mm

7" or 8"	CLAD	CLAD	-	3,9x25	43/50	-	-	12	1	19870001	AISI316 48	AISI304 19	BLACK MATT 9005 G6 33	PLATINUM 62	BLACK PEARL 04	COPPER PEARL 5B	NOIR PEARL 08

Opzioni_Options



IRON

Supporto_Support

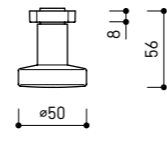
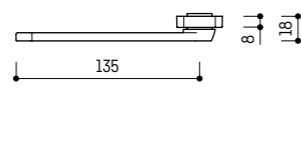
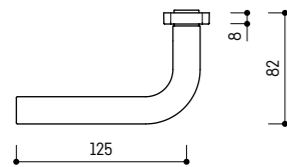
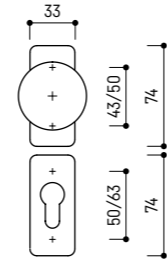
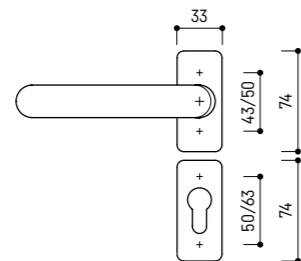
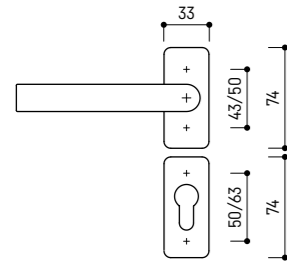
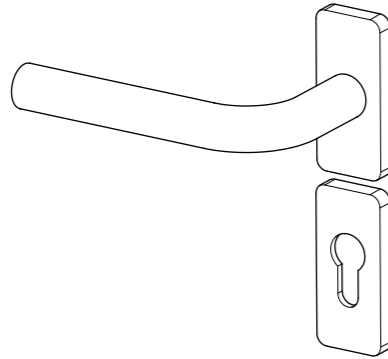
1/2 ferro per pomolo fisso_1/2 fixed knob spindle

7/90	CLAD	-	45-55	-	-	-	-	10	8	06727507						
7/100	CLAD	-	50-65	-	-	-	-	10	8	06727508						
7/110	CLAD	-	60-75	-	-	-	-	10	8	06727509						
7/120	CLAD	-	70-85	-	-	-	-	10	8	06727510						
7/130	CLAD	-	80-95	-	-	-	-	10	8	06727551						
7/140	CLAD	-	90-105	-	-	-	-	10	8	06727552						
8/90	CLAD	-	45-55	-	-	-	-	10	8	06727503						
8/100	CLAD	-	50-65	-	-	-	-	10	8	06727504						
8/110	CLAD	-	60-75	-	-	-	-	10	8	06727505						
8/120	CLAD	-	70-85	-	-	-	-	10	8	06727506						
8/130	CLAD	-	80-95	-	-	-	-	10	8	06727549						
8/140	CLAD	-	90-105	-	-	-	-	10	8	06727550						



MANIGLIA PER PORTE ESTERNE - SUPPORTO 33x74x8mm_EXTERNAL DOORS HANDLE - SUPPORT 33x74x8mm

CARATTERISTICHE_FEATURES				FISSAGGIO_FIXING				FINITURE_FINISHES					OPZIONI_OPTIONS					



STANDARD

REDUCED

ROUND KNOB
(FIXED)

VERSIONI DISPONIBILI_AVAILABLE VERSIONS

CAPITOLATO_SPECIFICATION

Per una descrizione dettagliata di tutte le specifiche tecniche presenti nel prodotto, da impiegare nei capitolati o nelle offerte pubbliche, fate riferimento alla sezione CAPITOLATI. For a detailed description of all the technical informations contained in the product, to be used in the specifications or in public tenders, please refer to the SPECIFICATIONS section.

NORMA EN 1906 _EN 1906 NORM
4 | 7 | - | 0 | 0 | 5 | 0 | B



											MECHANISM							
											AISI316	AISI304	BLACK MATT 9005 G6	PLATINUM	BLACK PEARL	COPPER PEARL	NOR PEARL	
	8*			-	3,9x25	43/50	-	-	24	1	12504032	-	●	-	-	-	-	-
	8/170			60-90	3,9x25	43/50	-	-	24	1	12504033	-	●	-	-	-	-	-
	8/170			60-90	3,9x25	43/50 50/63	-	-	24	1	12504034	-	●	-	-	-	-	-
	-	-		-	3,9x25	50/63	-	-	24	4	6525138	●	●	●	●	●	●	●
	8/110			45-60	3,9x25	43/50	-	-	12	1	19404001	-	●	●	●	●	●	●
	8/125			60-75	3,9x25	43/50	-	-	12	1	19404002	-	●	●	●	●	●	●
	8/140			75-90	3,9x25	43/50	-	-	12	1	19404003	-	●	●	●	●	●	●

Opzioni_Options

IRON

Supporto_Support

Ferro standard_Standard spindle

												MECHANISM						
	7/140		-	30-70	-	-	-	-	10	8	06727634		●					
	7/150		-	40-80	-	-	-	-	10	8	06727485		●					
	7/160		-	50-90	-	-	-	-	10	8	06727635		●					
	7/180		-	70-110	-	-	-	-	10	8	06727199		●					
	7/185		-	75-115	-	-	-	-	10	8	06727200		●					
	7/195		-	85-125	-	-	-	-	10	8	06727201		●					
	8/140		-	30-70	-	-	-	-	10	8	06727422		●					
	8/150		-	40-80	-	-	-	-	10	8	06727643		●					
	8/160		-	50-90	-	-	-	-	10	8	06727996		●					
	8/180		-	70-110	-	-	-	-	10	8	06727466		●					
	8/185		-	75-115	-	-	-	-	10	8	06727499		●					
	8/195		-	85-125	-	-	-	-	10	8	06727500		●					

Opzioni_Options -



IRON

Supporto_Support

Ferro uscita emergenza EN-179_Emergency exit EN-179 spindle

EN-179	Icons										MECHANISM	
											26	
8/140	CLAD	-	30-70	-	-	-	-	10	8	06727522		●
8/150	CLAD	-	40-80	-	-	-	-	10	8	06727524		●
8/160	CLAD	-	50-90	-	-	-	-	10	8	06727526		●
8/180	CLAD	-	70-110	-	-	-	-	10	8	06727530		●
8/185	CLAD	-	75-115	-	-	-	-	10	8	06727531		●
8/195	CLAD	-	85-125	-	-	-	-	10	8	06727532		●
8-9-8/140	CLAD	-	30-70	-	-	-	-	10	8	06727538		●
8-9-8/150	CLAD	-	40-80	-	-	-	-	10	8	06727540		●
8-9-8/160	CLAD	-	50-90	-	-	-	-	10	8	06727542		●
8-9-8/180	CLAD	-	70-110	-	-	-	-	10	8	06727546		●
8-9-8/185	CLAD	-	75-115	-	-	-	-	10	8	06727547		●
8-9-8/195	CLAD	-	85-125	-	-	-	-	10	8	06727548		●

Opzioni_Options -



IRON

Supporto_Support

1/2 ferro per pomolo fisso_1/2 fixed knob spindle

	Icons										MECHANISM	
											26	
7/90	CLAD	-	45-55	-	-	-	-	10	8	06727507		●
7/100	CLAD	-	50-65	-	-	-	-	10	8	06727508		●
7/110	CLAD	-	60-75	-	-	-	-	10	8	06727509		●
7/120	CLAD	-	70-85	-	-	-	-	10	8	06727510		●
7/130	CLAD	-	80-95	-	-	-	-	10	8	06727551		●
7/140	CLAD	-	90-105	-	-	-	-	10	8	06727552		●
8/90	CLAD	-	45-55	-	-	-	-	10	8	06727503		●
8/100	CLAD	-	50-65	-	-	-	-	10	8	06727504		●
8/110	CLAD	-	60-75	-	-	-	-	10	8	06727505		●
8/120	CLAD	-	70-85	-	-	-	-	10	8	06727506		●
8/130	CLAD	-	80-95	-	-	-	-	10	8	06727549		●
8/140	CLAD	-	90-105	-	-	-	-	10	8	06727550		●

Opzioni_Options -



IRON

Supporto_Support

1/2 ferro ancora_1/2 anchor spindle

	Icons										MECHANISM	
											26	
8/60	CLAD	-	-	-	-	-	-	10	8	06727462		●
8/70	CLAD	-	-	-	-	-	-	10	8	06727427		●
8/80	CLAD	-	-	-	-	-	-	10	8	06727428		●
8/90	CLAD	-	-	-	-	-	-	10	8	06727429		●
8/100	CLAD	-	-	-	-	-	-	10	8	06727463		●
7/60	CLAD	-	-	-	-	-	-	10	8	06727432		●
7/70	CLAD	-	-	-	-	-	-	10	8	06727433		●
7/80	CLAD	-	-	-	-	-	-	10	8	06727434		●
7/90	CLAD	-	-	-	-	-	-	10	8	06727435		●
7/100	CLAD	-	-	-	-	-	-	10	8	06727436		●

ROUND pomolo fisso_fixed knob

design Ufficio Tecnico Opentech

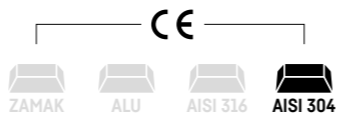


AISI304

Supporto_Support

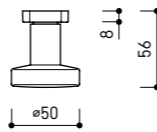
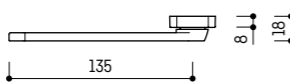
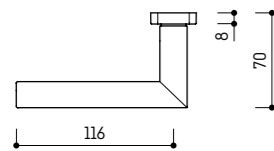
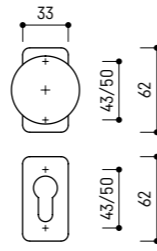
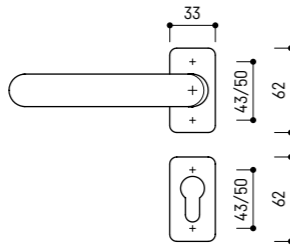
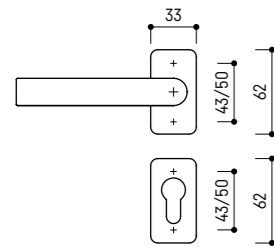
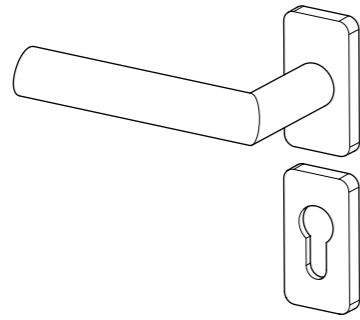
33x74x8mm

7" or 8"	Icons										MECHANISM						
											48	19	33	62	04	5B	08
7" or 8"	CLAD	⊖	-	3,9x25	43/50	-	-	12	1	19804001	●	●	●	●	●	●	



MANIGLIA PER PORTE ESTERNE - SUPPORTO 33x60x8mm_EXTERNAL DOORS HANDLE - SUPPORT 33x60x8mm

CARATTERISTICHE_FEATURES				FISSAGGIO_FIXING				FINITURE_FINISHES				OPZIONI_OPTIONS				
								CLASS 5	CLASS 5	CLASS 5	CLASS 5	CLASS 5	CLASS 5			



STANDARD

REDUCED

ROUND KNOB (FIXED)

VERSIONI DISPONIBILI_AVAILABLE VERSIONS

CAPITOLATO_SPECIFICATION



Per una descrizione dettagliata di tutte le specifiche tecniche presenti nel prodotto, da impiegare nei capitolati o nelle offerte pubbliche, fate riferimento alla sezione CAPITOLATI for a detailed description of all the technical informations contained in the product, to be used in the specifications or in public tenders, please refer to the SPECIFICATIONS section.

NORMA EN 1906_EN 1906 NORM
4 | 7 | - | 0 | 0 | 5 | 0 | B

Icona	Lunghezza	Cl. CLAO	Fissaggio	Lunghezza	Diametro	PVD	REI-60	EN-179	IP-65	Codice	Finitura								
											AISI316	AISI304	BLACK MATT 9005 G6	PLATINUM	BLACK PEARL	COPPER PEARL	NOIR PEARL		
	8"			3,9x25	43/50					24	1	12670001	-	●	-	-	-	-	-
	7"			3,9x25	43/50					24	1	12670002	-	●	-	-	-	-	-
	8"			3,9x25	43/50					24	1	12678001	-	●	-	-	-	-	-
	7"			3,9x25	43/50					24	1	12678002	-	●	-	-	-	-	-
	8/170			60-90	3,9x25	43/50				24	1	12670003	-	●	-	-	-	-	-
	7/170			60-90	3,9x25	43/50				24	1	12670005	-	●	-	-	-	-	-
	8/170			60-90	3,9x25	43/50				24	1	12678003	-	●	-	-	-	-	-
	7/170			60-90	3,9x25	43/50				24	1	12678005	-	●	-	-	-	-	-
	8/170			60-90	3,9x25	43/50				24	1	12670004	-	●	-	-	-	-	-
	7/170			60-90	3,9x25	43/50				24	1	12670006	-	●	-	-	-	-	-
	8/170			60-90	3,9x25	43/50				24	1	12678004	-	●	-	-	-	-	-
	7/170			60-90	3,9x25	43/50				24	1	12678006	-	●	-	-	-	-	-
	-	-		3,9x25	43/50					24	4	06525139	●	●	●	●	●	●	●
	8/110			45-60	3,9x25	43/50				12	1	19470001	-	●	●	●	●	●	●
	8/125			60-75	3,9x25	43/50				12	1	19470002	-	●	●	●	●	●	●
	8/140			75-90	3,9x25	43/50				12	1	19470003	-	●	●	●	●	●	●
	7/110			45-60	3,9x25	43/50				24	1	19470004	-	●	●	●	●	●	●
	7/125			60-75	3,9x25	43/50				24	1	19470005	-	●	●	●	●	●	●
	7/140			75-90	3,9x25	43/50				24	1	19470006	-	●	●	●	●	●	●

Opzioni_Options



IRON

Supporto_Support

Ferro standard_Standard spindle

											MECHANISM 26
7/140	CLAD	-	30-70	-	-	-	-	10	8	06727634	●
7/150	CLAD	-	40-80	-	-	-	-	10	8	06727485	●
7/160	CLAD	-	50-90	-	-	-	-	10	8	06727635	●
7/180	CLAD	-	70-110	-	-	-	-	10	8	06727199	●
7/185	CLAD	-	75-115	-	-	-	-	10	8	06727200	●
7/195	CLAD	-	85-125	-	-	-	-	10	8	06727201	●
8/140	CLAD	-	30-70	-	-	-	-	10	8	06727422	●
8/150	CLAD	-	40-80	-	-	-	-	10	8	06727643	●
8/160	CLAD	-	50-90	-	-	-	-	10	8	06727996	●
8/180	CLAD	-	70-110	-	-	-	-	10	8	06727466	●
8/185	CLAD	-	75-115	-	-	-	-	10	8	06727499	●
8/195	CLAD	-	85-125	-	-	-	-	10	8	06727500	●

Opzioni_Options



IRON

Supporto_Support

1/2 ferro ancora_1/2 anchor spindle

											MECHANISM 26
8/60	CLAD	-	-	-	-	-	-	10	8	06727462	●
8/70	CLAD	-	-	-	-	-	-	10	8	06727427	●
8/80	CLAD	-	-	-	-	-	-	10	8	06727428	●
8/90	CLAD	-	-	-	-	-	-	10	8	06727429	●
8/100	CLAD	-	-	-	-	-	-	10	8	06727463	●
7/60	CLAD	-	-	-	-	-	-	10	8	06727432	●
7/70	CLAD	-	-	-	-	-	-	10	8	06727433	●
7/80	CLAD	-	-	-	-	-	-	10	8	06727434	●
7/90	CLAD	-	-	-	-	-	-	10	8	06727435	●
7/100	CLAD	-	-	-	-	-	-	10	8	06727436	●

Opzioni_Options



IRON

Supporto_Support

Ferro uscita emergenza EN-179_Emergency exit EN-179 spindle

											MECHANISM 26
8/140	CLAD	-	30-70	-	-	-	-	10	8	06727522	●
8/150	CLAD	-	40-80	-	-	-	-	10	8	06727524	●
8/160	CLAD	-	50-90	-	-	-	-	10	8	06727526	●
8/180	CLAD	-	70-110	-	-	-	-	10	8	06727530	●
8/185	CLAD	-	75-115	-	-	-	-	10	8	06727531	●
8/195	CLAD	-	85-125	-	-	-	-	10	8	06727532	●
8-9-8/140	CLAD	-	30-70	-	-	-	-	10	8	06727538	●
8-9-8/150	CLAD	-	40-80	-	-	-	-	10	8	06727540	●
8-9-8/160	CLAD	-	50-90	-	-	-	-	10	8	06727542	●
8-9-8/180	CLAD	-	70-110	-	-	-	-	10	8	06727546	●
8-9-8/185	CLAD	-	75-115	-	-	-	-	10	8	06727547	●
8-9-8/195	CLAD	-	85-125	-	-	-	-	10	8	06727548	●

ROUND pomolo fisso_fixed knob

design Ufficio Tecnico Opentech



AIS1304

Supporto_Support

33x60x8mm

											48	19	33	62	04	5B	08
											AISI316	AISI304	BLACK MATT 9005 06	PLATINUM	BLACK PEARL	COPPER PEARL	NOIR PEARL
7" or 8"	CLAD	⊖	-	3,9x25	43/50	-	-	12	1	19870001	-	52,34	59,42	82,72	79,18	79,18	82,72

Opzioni_Options

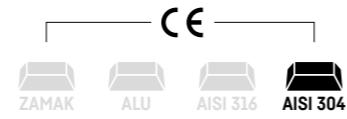


IRON

Supporto_Support

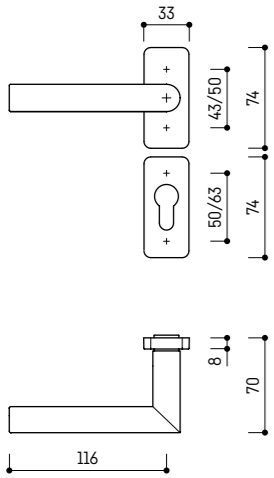
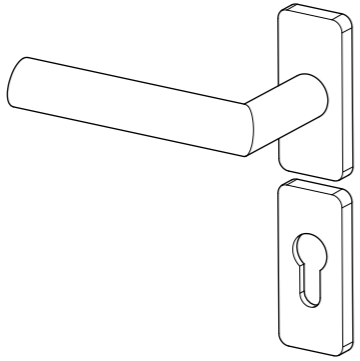
1/2 ferro per pomolo fisso_1/2 fixed knob spindle

											MECHANISM 26
7/90	CLAD	-	45-55	-	-	-	-	10	8	06727507	●
7/100	CLAD	-	50-65	-	-	-	-	10	8	06727508	●
7/110	CLAD	-	60-75	-	-	-	-	10	8	06727509	●
7/120	CLAD	-	70-85	-	-	-	-	10	8	06727510	●
7/130	CLAD	-	80-95	-	-	-	-	10	8	06727551	●
7/140	CLAD	-	90-105	-	-	-	-	10	8	06727552	●
8/90	CLAD	-	45-55	-	-	-	-	10	8	06727503	●
8/100	CLAD	-	50-65	-	-	-	-	10	8	06727504	●
8/110	CLAD	-	60-75	-	-	-	-	10	8	06727505	●
8/120	CLAD	-	70-85	-	-	-	-	10	8	06727506	●
8/130	CLAD	-	80-95	-	-	-	-	10	8	06727549	●
8/140	CLAD	-	90-105	-	-	-	-	10	8	06727550	●

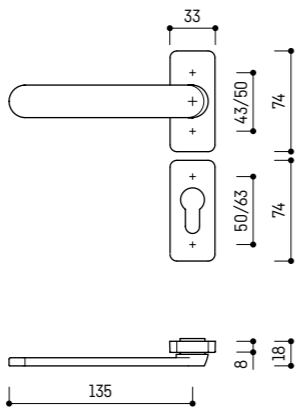


MANIGLIA PER PORTE ESTERNE - SUPPORTO 33x74x8mm_EXTERNAL DOORS HANDLE - SUPPORT 33x74x8mm

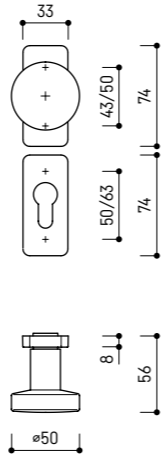
CARATTERISTICHE_FEATURES				FISSAGGIO_FIXING				FINITURE_FINISHES					OPZIONI_OPTIONS						
B	CLAO	R	100					304	316	CLASS 5	CLASS 5	CLASS 5	CLASS 5	PVD			REI-60	EN-179	IP-65



STANDARD



REDUCED



ROUND KNOB (FIXED)

VERSIONI DISPONIBILI_AVAILABLE VERSIONS					CAPITOLATO_SPECIFICATION
					<p>Per una descrizione dettagliata di tutte le specifiche tecniche presenti nel prodotto, da impiegare nei capitolati o nelle offerte pubbliche, fate riferimento alla sezione CAPITOLATI. For a detailed description of all the technical informations contained in the product, to be used in the specifications or in public tenders, please refer to the SPECIFICATIONS section.</p> <p>NORMA EN 1906 _EN 1906 NORM 4 7 - 0 0 5 0 B</p>

											MECHANISM								
											48	19	33	62	04	5B	08		
											AISI316	AISI304	BLACK MATT 9005 G6	PLATINUM	BLACK PEARL	COPPER PEARL	NOR PEARL		
	8*				-	3,9x25	43/50	-	-	24	1	12604023	-	•	-	-	-	-	-
	8/170				60-90	3,9x25	43/50	-	-	24	1	12604024	-	•	-	-	-	-	-
	8/170				60-90	3,9x25	43/50/50/63	-	-	24	1	12604025	-	•	-	-	-	-	-
	-	-	-		-	3,9x25	50/63	-	-	24	4	6525138	•	•	•	•	•	•	•
	8/110				45-60	3,9x25	43/50	-	-	12	1	19404001	-	•	•	•	•	•	•
	8/125				60-75	3,9x25	43/50	-	-	12	1	19404002	-	•	•	•	•	•	•
	8/140				75-90	3,9x25	43/50	-	-	12	1	19404003	-	•	•	•	•	•	•

Opzioni_Options

IRON

Supporto_Support

Ferro standard_Standard spindle

											MECHANISM								
											26								
	7/140		-		30-70	-	-	-	-	10	8	06727634		•					
	7/150		-		40-80	-	-	-	-	10	8	06727485		•					
	7/160		-		50-90	-	-	-	-	10	8	06727635		•					
	7/180		-		70-110	-	-	-	-	10	8	06727199		•					
	7/185		-		75-115	-	-	-	-	10	8	06727200		•					
	7/195		-		85-125	-	-	-	-	10	8	06727201		•					
	8/140		-		30-70	-	-	-	-	10	8	06727422		•					
	8/150		-		40-80	-	-	-	-	10	8	06727643		•					
	8/160		-		50-90	-	-	-	-	10	8	06727996		•					
	8/180		-		70-110	-	-	-	-	10	8	06727466		•					
	8/185		-		75-115	-	-	-	-	10	8	06727499		•					
	8/195		-		85-125	-	-	-	-	10	8	06727500		•					

Opzioni_Options -



IRON

Supporto_Support

Ferro uscita emergenza EN-179_Emergency exit EN-179 spindle

EN-179	MECHANISM										26
	■	+	⌘	U	X	⊙	⊙	⊙	⊙	⊙	
8/140	CLAD	-	30-70	-	-	-	-	10	8	06727522	●
8/150	CLAD	-	40-80	-	-	-	-	10	8	06727524	●
8/160	CLAD	-	50-90	-	-	-	-	10	8	06727526	●
8/180	CLAD	-	70-110	-	-	-	-	10	8	06727530	●
8/185	CLAD	-	75-115	-	-	-	-	10	8	06727531	●
8/195	CLAD	-	85-125	-	-	-	-	10	8	06727532	●
8-9-8/140	CLAD	-	30-70	-	-	-	-	10	8	06727538	●
8-9-8/150	CLAD	-	40-80	-	-	-	-	10	8	06727540	●
8-9-8/160	CLAD	-	50-90	-	-	-	-	10	8	06727542	●
8-9-8/180	CLAD	-	70-110	-	-	-	-	10	8	06727546	●
8-9-8/185	CLAD	-	75-115	-	-	-	-	10	8	06727547	●
8-9-8/195	CLAD	-	85-125	-	-	-	-	10	8	06727548	●

Opzioni_Options -



IRON

Supporto_Support

1/2 ferro ancora_1/2 anchor spindle

	MECHANISM										26
	■	+	⌘	U	X	⊙	⊙	⊙	⊙	⊙	
8/60	CLAD	-	-	-	-	-	-	10	8	06727462	●
8/70	CLAD	-	-	-	-	-	-	10	8	06727427	●
8/80	CLAD	-	-	-	-	-	-	10	8	06727428	●
8/90	CLAD	-	-	-	-	-	-	10	8	06727429	●
8/100	CLAD	-	-	-	-	-	-	10	8	06727463	●
7/60	CLAD	-	-	-	-	-	-	10	8	06727432	●
7/70	CLAD	-	-	-	-	-	-	10	8	06727433	●
7/80	CLAD	-	-	-	-	-	-	10	8	06727434	●
7/90	CLAD	-	-	-	-	-	-	10	8	06727435	●
7/100	CLAD	-	-	-	-	-	-	10	8	06727436	●

ROUND pomolo fisso_fixed knob

design Ufficio Tecnico Opentech



AISI304

Supporto_Support

33x74x8mm

7" or 8"	MECHANISM										48	19	33	62	04	5B	08
	■	+	⌘	U	X	⊙	⊙	⊙	⊙	⊙							
7" or 8"	CLAD	⊖	-	3,9x25	43/50	-	-	12	1	19804001	-	●	●	●	●	●	●

Opzioni_Options -



IRON

Supporto_Support

1/2 ferro per pomolo fisso_1/2 fixed knob spindle

	MECHANISM										26
	■	+	⌘	U	X	⊙	⊙	⊙	⊙	⊙	
7/90	CLAD	-	45-55	-	-	-	-	10	8	06727507	●
7/100	CLAD	-	50-65	-	-	-	-	10	8	06727508	●
7/110	CLAD	-	60-75	-	-	-	-	10	8	06727509	●
7/120	CLAD	-	70-85	-	-	-	-	10	8	06727510	●
7/130	CLAD	-	80-95	-	-	-	-	10	8	06727551	●
7/140	CLAD	-	90-105	-	-	-	-	10	8	06727552	●
8/90	CLAD	-	45-55	-	-	-	-	10	8	06727503	●
8/100	CLAD	-	50-65	-	-	-	-	10	8	06727504	●
8/110	CLAD	-	60-75	-	-	-	-	10	8	06727505	●
8/120	CLAD	-	70-85	-	-	-	-	10	8	06727506	●
8/130	CLAD	-	80-95	-	-	-	-	10	8	06727549	●
8/140	CLAD	-	90-105	-	-	-	-	10	8	06727550	●